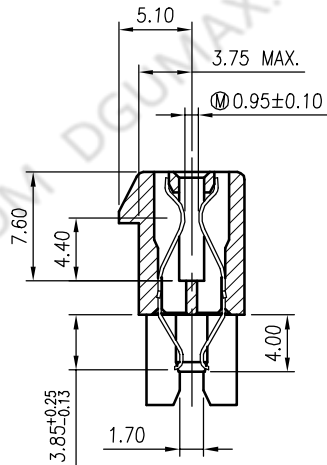
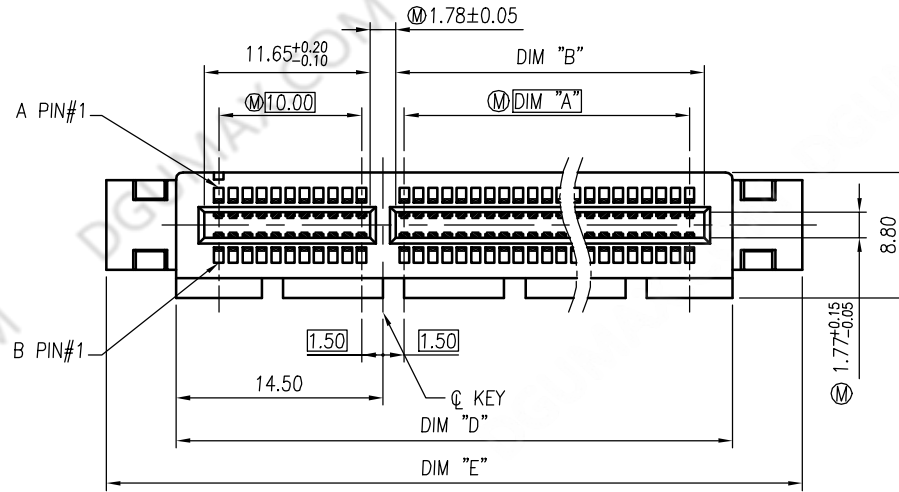
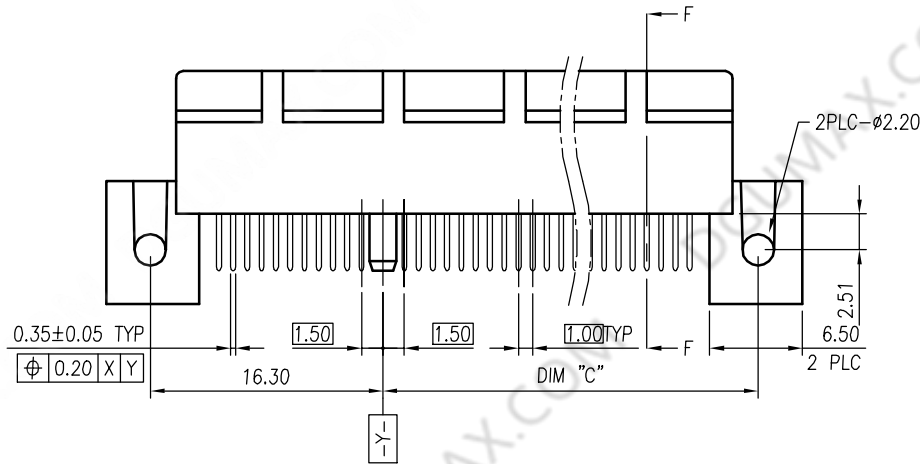


# STRADDLE MOUNT

## WITH MOUNTING EAR TYPE

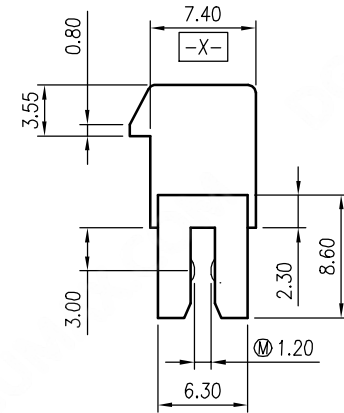


SECTION F-F



### NOTES:

1. MATERIAL:
  - 1.1 HOUSING: PA9T (GN2330),UL94V-0; COLOR: BLACK.
  - 1.2 CONTACTS: PHOSPHOR BRONZE (C5191-H). T=0.25
2. FINISH:
  - 2.1 CONTACT:
    - SELECTIVE GOLD PLATING ON CONTACT AREA.
    - 100u" MIN. MATTE TIN PLATING ON SOLDER TAILS,
    - 50u" MIN. NICKEL UNDERPLATING OVERALL.
3. PRODUCT SPEC.: PS-3GIO-01
4. Ⓜ IS MAJOR DIMENSION FOR QC.

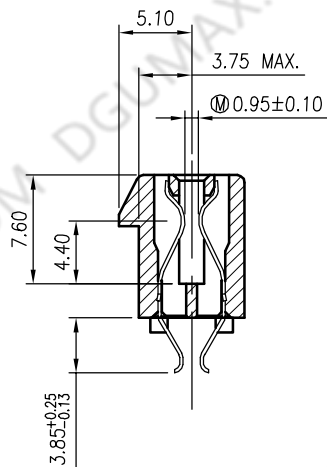
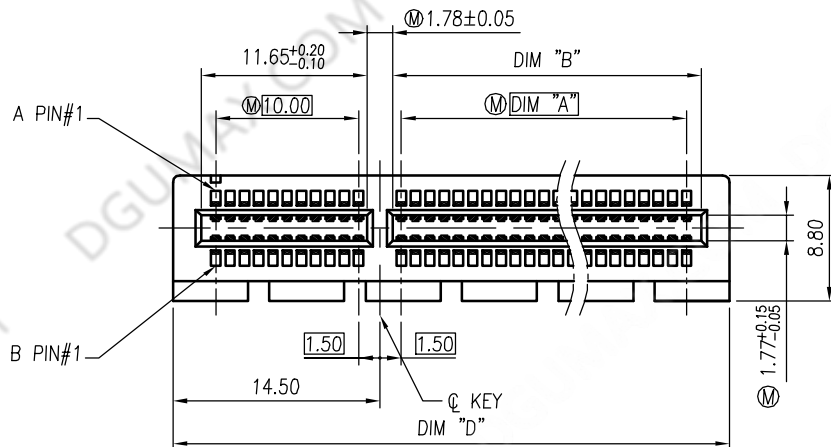


DIMENSIONS					
POSITION	A ±0.10	B <sup>+0.15</sup> / <sub>-0.05</sub>	C ±0.10	D ±0.23	E ±0.30
36	6	7.65	12.30	25.00	34.8
64	20	21.65	26.30	39.00	48.8
98	37	38.65	43.30	56.00	65.8
164	70	71.65	76.30	89.00	98.8

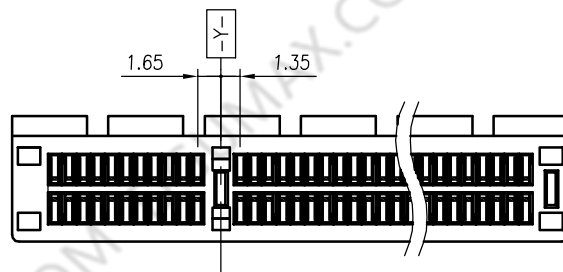
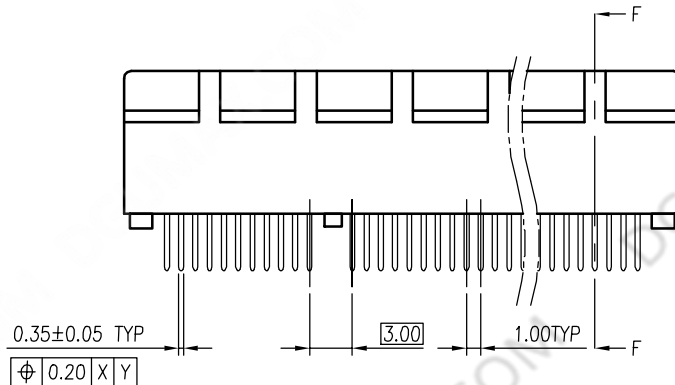
				TOLERANCE		Umax 东莞市友贸实业有限公司 Dongguan Umax Enterprise Limited		TITLE: PCI EXPRESS 1.0mm CARD EDGE ASSY, STRADDLE MOUNT TYPE			
				LINEAR	ANGLES			PART NO. 3126-10X0XT		DWG NO. 312605001	
				X.±0.30	X'±	APPD: Jason	MAT'L:	UNITS	SCALE	SHEET	REV
A	09041	Terry	Sep,02,2009	.X±0.20	.X'±	CHKD: Schumi	FINISH:		1 : 1	1 OF 3	A
REV	ECN NO.	NAME	DATE	.XXX±0.08	.XXX'±	DRWN: Terry	Q'TY:				

**STRADDLE MOUNT**

**WITHOUT MOUNTING EAR & POST TYPE**

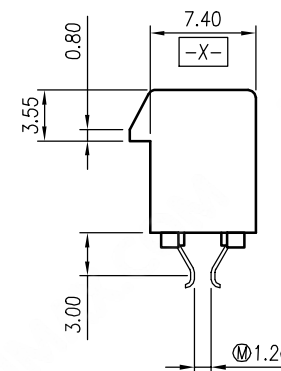


**SECTION F-F**



**NOTES:**

1. MATERIAL:
  - 1.1 HOUSING: PA9T (GN2330),UL94V-0; COLOR: BLACK.
  - 1.2 CONTACTS: PHOSPHOR BRONZE (C5191-H). T=0.25
2. FINISH:
  - 2.1 CONTACT:
    - SELECTIVE GOLD PLATING ON CONTACT AREA.
    - 100u" MIN. MATTE TIN PLATING ON SOLDER TAILS,
    - 50u" MIN. NICKEL UNDERPLATING OVERALL.
3. PRODUCT SPEC.: PS-3GI0-01
4. Ⓜ IS MAJOR DIMENSION FOR QC.



DIMENSIONS			
POSITION	A ±0.10	B $\begin{smallmatrix} +0.15 \\ -0.05 \end{smallmatrix}$	D ±0.23
36	6	7.65	25.00
64	20	21.65	39.00
98	37	38.65	56.00
164	70	71.65	89.00

TOLERANCE	
LINEAR	ANGLES
X.±0.30	X'±
.X±0.20	.X'±
.XX±0.15	.XX'±
.XXX±0.08	.XXX'±

**Umax** 东莞市友贸实业有限公司  
Dongguan Umax Enterprise Limited

TITLE: PCI EXPRESS 1.0mm  
CARD EDGE ASSY, STRADDLE MOUNT TYPE

PART NO. 3126-12X0XT

DWG NO. 312605001

APPD: Jason MAT'L:

CHKD: Schumi FINISH:

DRWN: Terry Q'TY:

	UNITS	SCALE	SHEET	REV
	MM	1 : 1	2 OF 3	A

REV	See Sheet 1	NAME	DATE
ECN NO.			

PART NO.

3 1 26 - 1 X X 0 X T

PCI EXPRESS Series No.

Lock

1: With

Type No.

26: Straddle Type

HSG Color

1: Black

TYPE

0: WITH MOUNTING EAR

2: WITHOUT MOUNTING EAR & POST

Packing Options

T: Tray

No. of Pins

0: 36P

1: 64P

2: 98P

3: 164P

Contact Plating

0: 30u", Gold

1: 15u", Gold

2: 1u", Gold

TOLERANCE	
LINEAR	ANGLES
X.	X°.±
.X	.X°±
.XX	.XX°±
.XXX	.XXX°±

**Umax** 东莞市友贸实业有限公司  
Dongguan Umax Enterprise Limited

TITLE: PCI EXPRESS 1.0mm  
CARD EDGE ASSY', STRADDLE MOUNT TYPE

PART NO. 3126-12X0XT

DWG NO. 312605001

See Sheet 1			
REV	ECN NO.	NAME	DATE

APPD: Jason	MAT'L:
CHKD: Schumi	FINISH:
DRWN: Terry	Q'TY:

	UNITS	SCALE	SHEET	REV
	MM	1 : 1	3 OF 3	A