

SHINDENGEN

Super Fast Recovery Rectifiers

Single

D4L20U

200V 4A

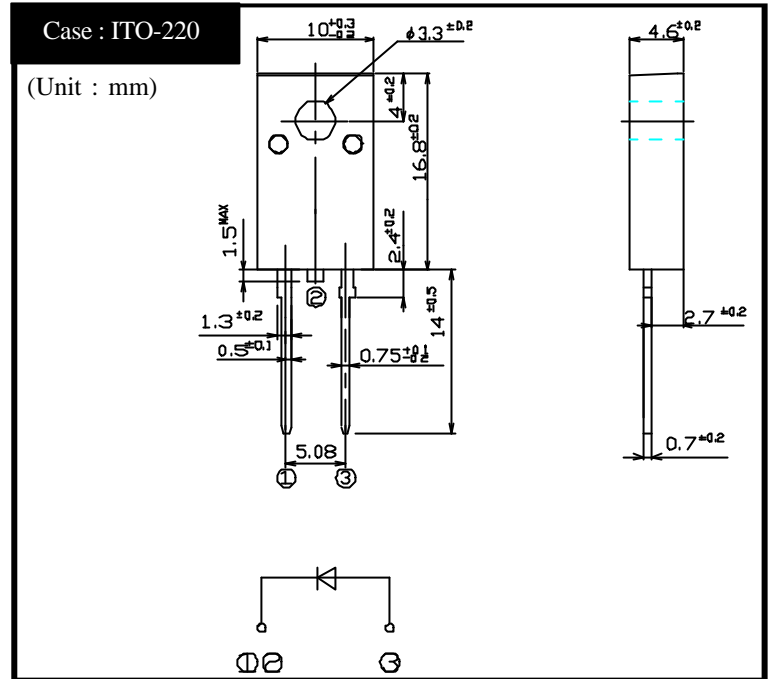
FEATURES

Low noise
trr35ns
Fully Isolated Molding

APPLICATION

Switching power supply
Free Wheel
Home Appliances, Office Equipment
Telecommunication, Factory Automation

OUTLINE DIMENSIONS



RATINGS

Absolute Maximum Ratings (If not specified $T_c=25$)

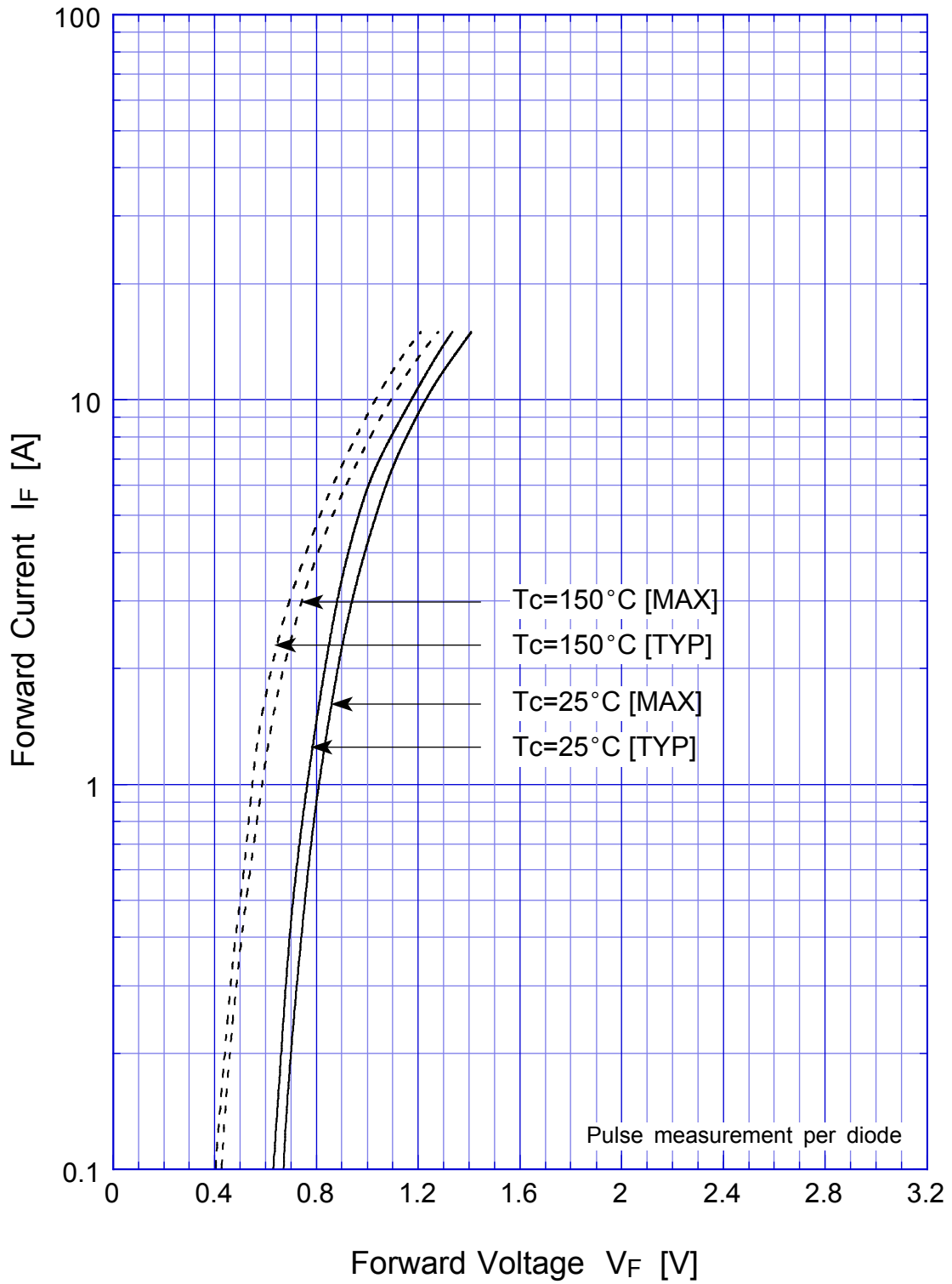
Item	Symbol	Conditions	Ratings	Unit
Storage Temperature	T_{stg}		-40 ~ 150	
Operating Junction Temperature	T_j		150	
Maximum Reverse Voltage	V_{RM}		200	V
Average Rectified Forward Current	I_o	50Hz sine wave, R-load, $T_c=130$	4	A
Peak Surge Forward Current	I_{FSM}	50Hz sine wave, Non-repetitive 1 cycle peak value, $T_j=25$	60	A
Dielectric Strength	V_{dis}	Terminals to case, AC 1 minute	1.5	kV
Mounting Torque	TOR	(Recommended torque :0.3N·m)	0.5	N·m

Electrical Characteristics (If not specified $T_c=25$)

Item	Symbol	Conditions	Ratings	Unit
Forward Voltage	V_F	$I_F=4A$, Pulse measurement	Max.0.98	V
Reverse Current	I_R	$V_R=V_{RM}$, Pulse measurement	Max.10	μA
Reverse Recovery Time	trr	$I_F=0.5A$, $I_R=1A$	Max.35	ns
Thermal Resistance	θ_{jc}	junction to case	Max.4.5	/W

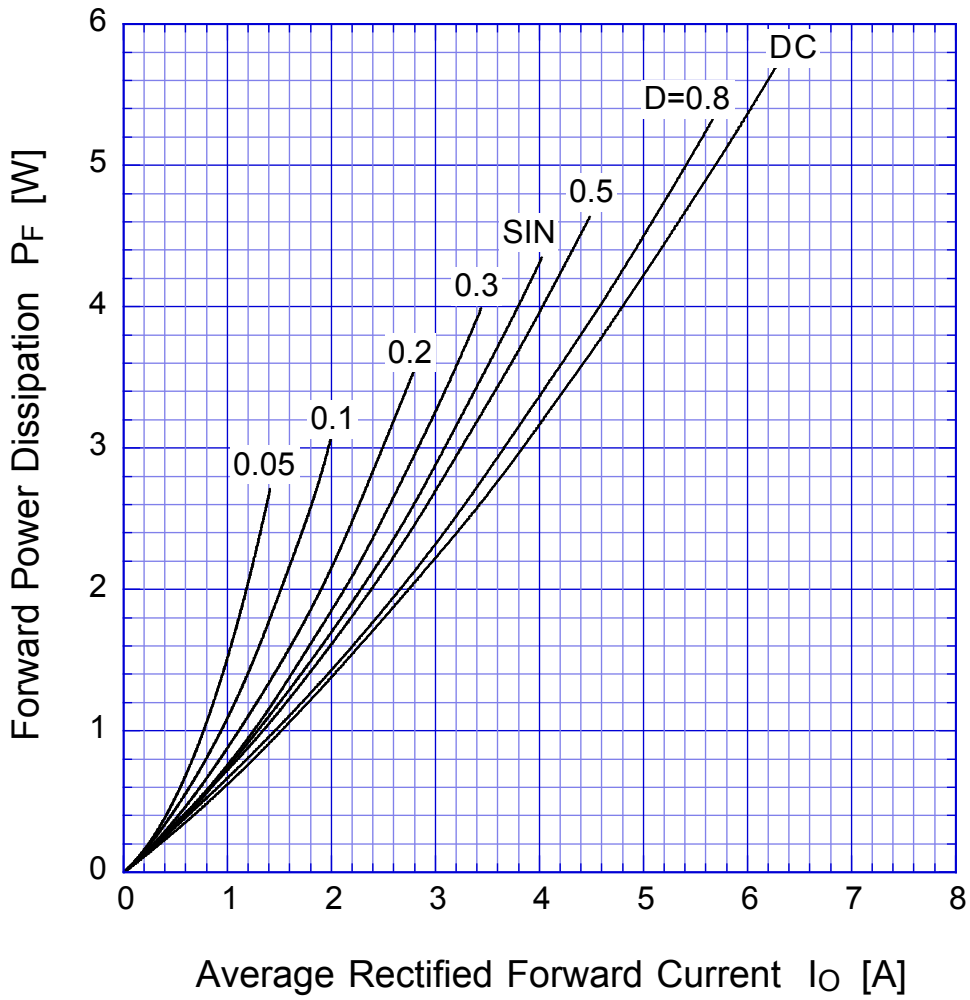
D4L20U

Forward Voltage

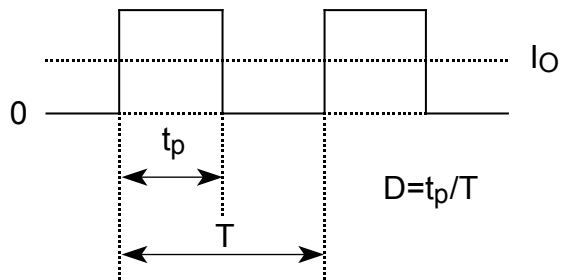


D4L20U

Forward Power Dissipation

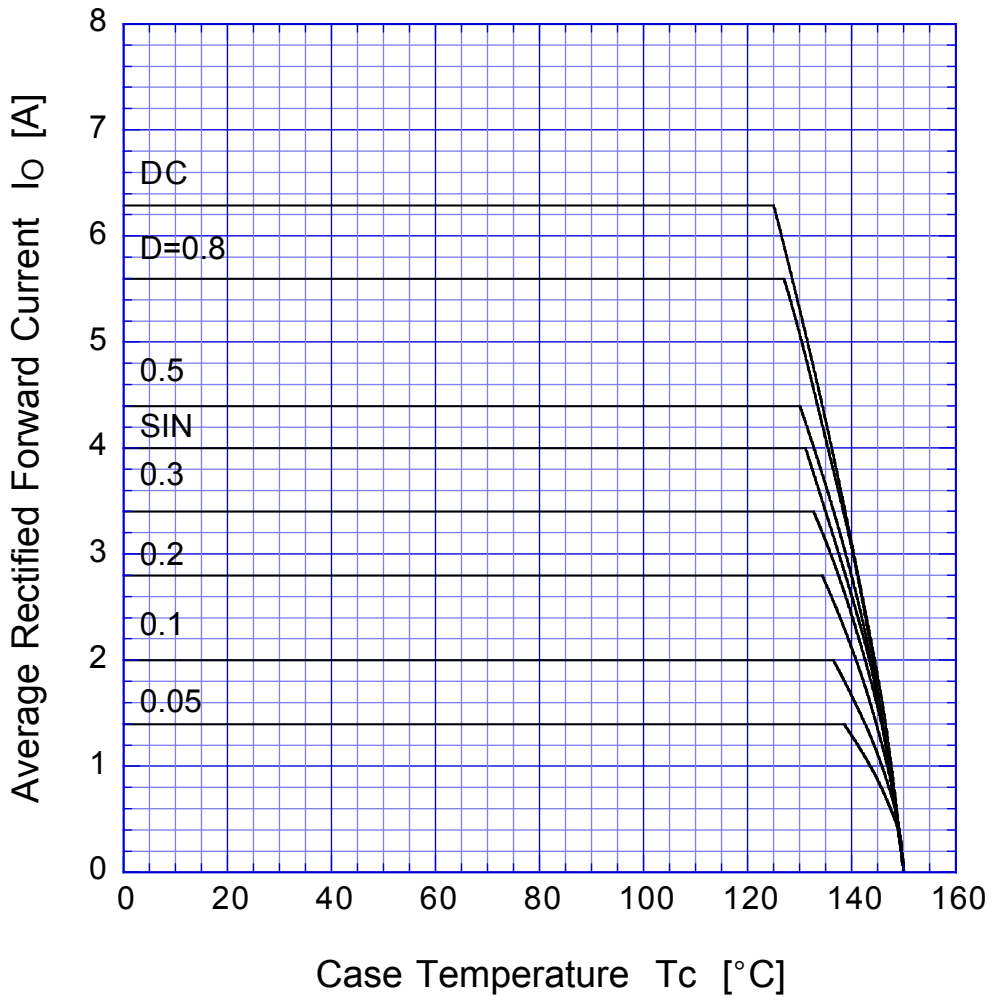


$T_j = T_{jmax}$



D4L20U

Derating Curve

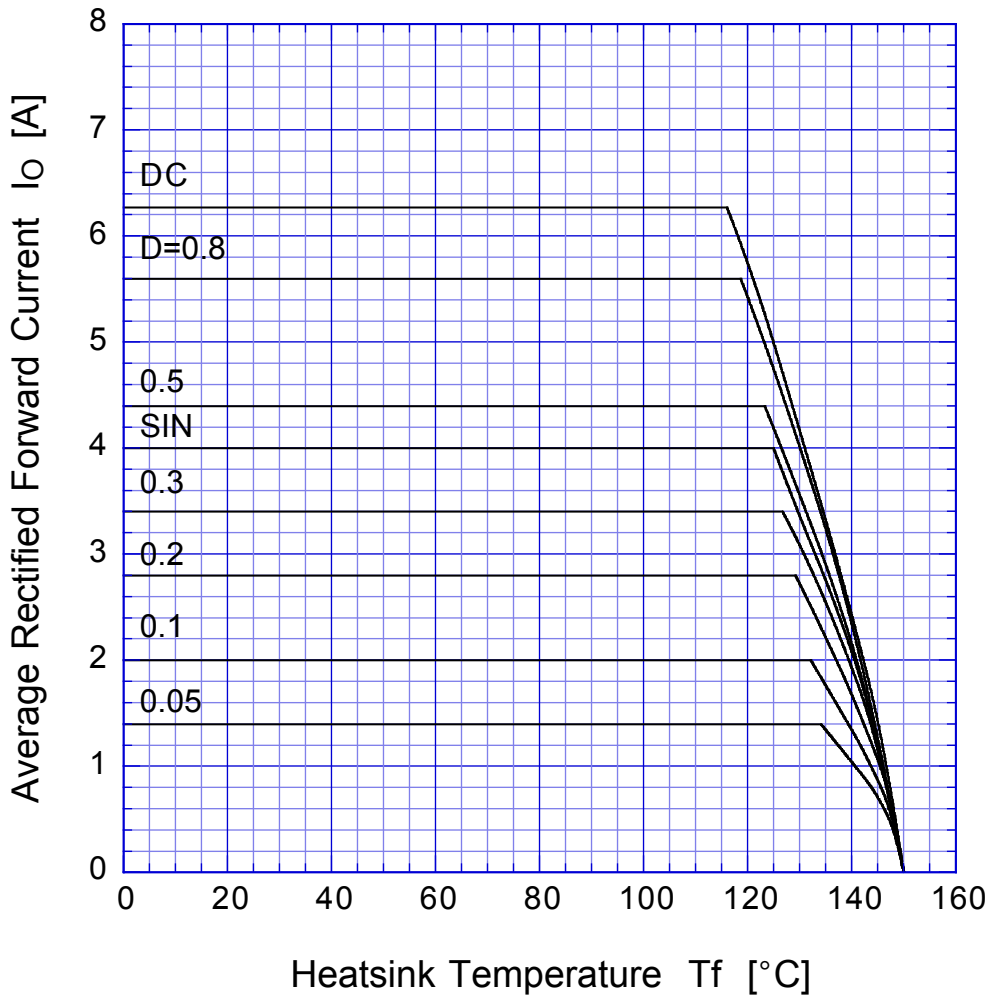


$$V_R = V_{RM}$$

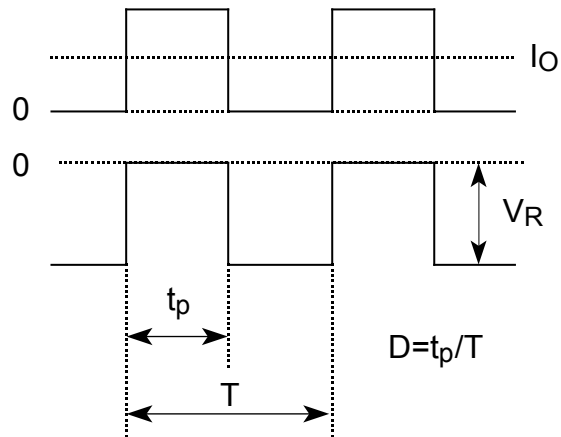


D4L20U

Derating Curve

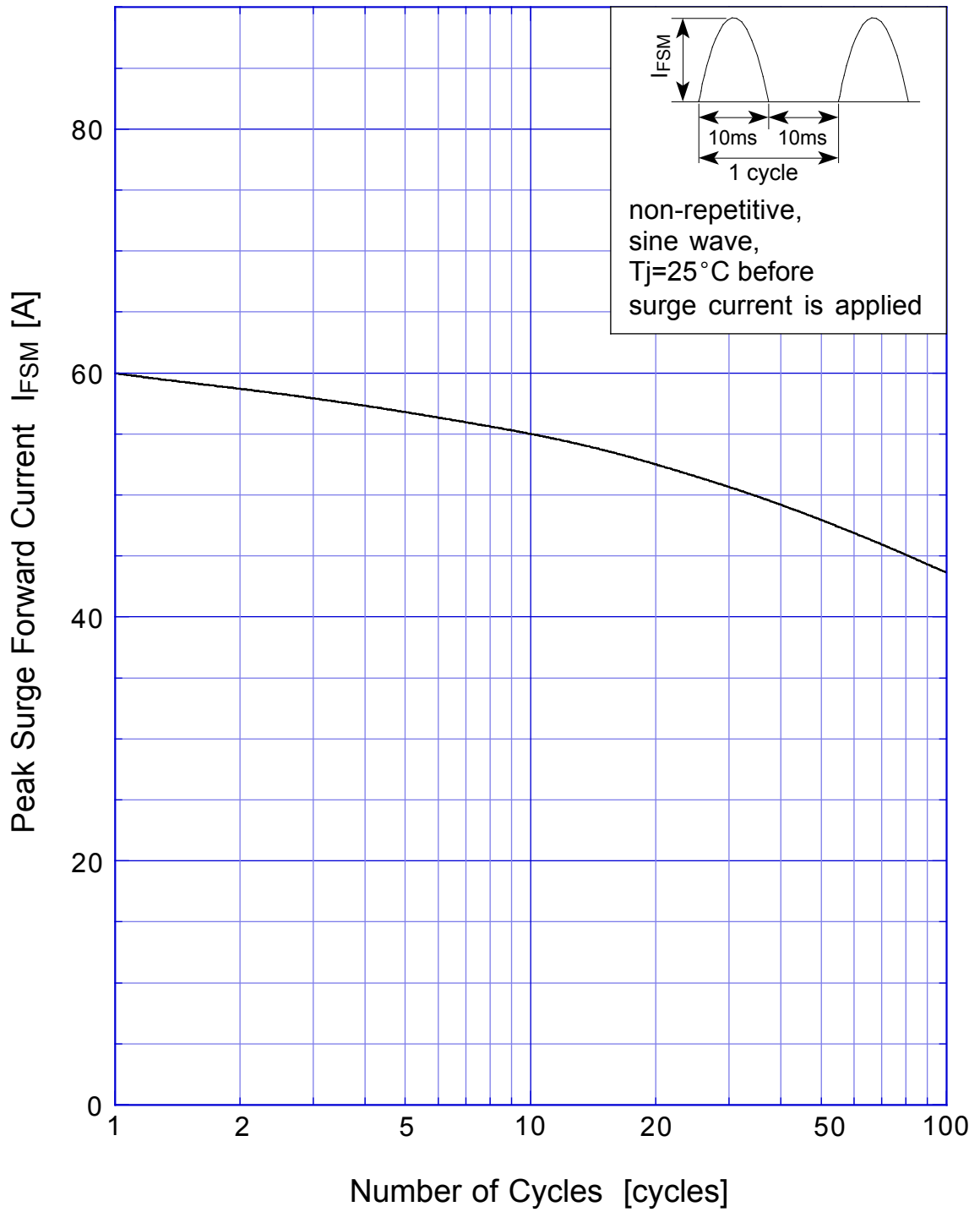


$$V_R = V_{RM}$$



D4L20U

Peak Surge Forward Capability



D4L20U Junction Capacitance

