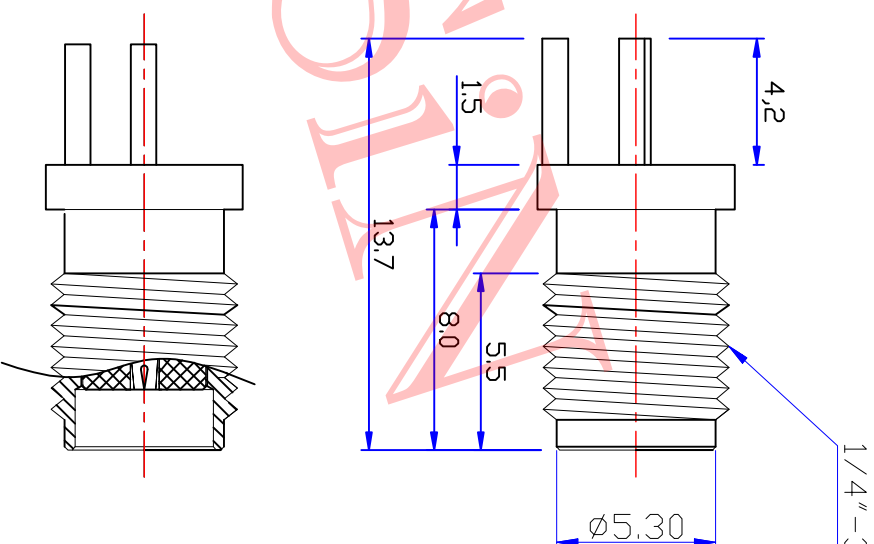
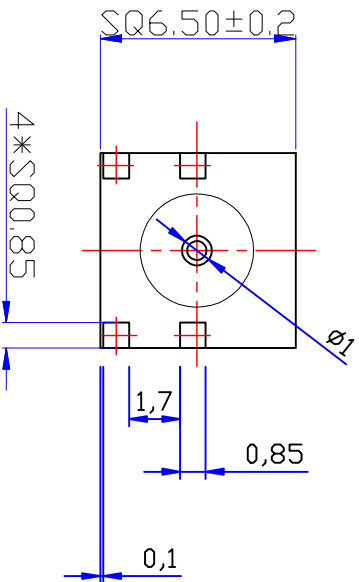




Product NO.		DOSIN-806-0134	
REV	DESCRIPTION	DWN	DATE
A	First Issue	Mr. Kang	2015/11/22
B			
		APPROVEN	
		John Kline	



Specifications:

- IMPEDANCE: 50 Ohms
- Frequency range: 0~6GHz
- VSWR: 1.5MAX
- Working voltage: 500V rms @ sea level
- Insulation resistance: 5000 Ohms min
- Temperature range: -55°C T0 +155°C
- Relative temperature: ≤95% (40° C±2° C)

1	Body	Brass	Au: 1u"	NOTE:					
2	Insulator	TEFLON	White						
3	Center contact	Phosphor	Au: 3u"						
4				DRAWN					
5				Zelin Zhang					
6				CHECKED					
7									
8									
9									
10	Component Number	Material	Finish	APPROVALS	SCALE	UNIT	MM	1:1	
				<i>Johs Kline</i>					
A		B		C		D		E	
								F	
								G	


Dosin Industrial (HK) Co Ltd
 东莞市松山湖五金电子有限公司
Dosin Hardware Electronics Co, Ltd
 Name: SMA Jack RP PCB Mount
 E-mail: dosin2006@163.com
 dosin2006@dosin-hk.com
 Web: http://www.dosin.com
 TEL: (0086) 769-81153906
 FAX: (0086) 769-81878836

Date: 2015/11/22
 Product No: DOSIN-806-0134
 CAD FILE: H/company drawings/BD
 SHEET: 1 OF 1