

PAD	CONNECTION
1	Ground or Freq adjustment
2	Not connected
3	Ground
4	Output
5	Not connected
6	Supply

Scale 3:1

## Specifications

**GTXO-92T: TCXO, no frequency adjustment**

**GTXO-92V: TCXO with VC frequency adjustment**

Parameters	Variant		Option Codes
	T	V	
<b>Frequency range:</b> 8.0 ~ 44.0MHz	■	■	
<b>Frequency stability:</b> ±3.0ppm ±2.5ppm ±2.0ppm ±1.5ppm	<input type="checkbox"/> ■ <input type="checkbox"/> <input type="checkbox"/>	<input type="checkbox"/> ■ <input type="checkbox"/> <input type="checkbox"/>	K J H G
<b>Temperature range:</b> 0 to +50°C -10 to +60°C -20 to +70°C -30 to +75°C	<input type="checkbox"/> <input type="checkbox"/> <input type="checkbox"/> ■	<input type="checkbox"/> <input type="checkbox"/> <input type="checkbox"/> ■	R C N S
<b>Storage temperature range:</b> -40 to +85°C	■	■	
<b>Frequency vs supply voltage:</b> ±0.2ppm, V <sub>DD</sub> ±5%	■	■	
<b>Ageing:</b> ±1.0ppm max first year	■	■	
<b>Supply voltage (V<sub>DD</sub>):</b> +2.3V ~ +3.6V (see note 1)	■	■	
<b>Supply current:</b> 1.5mA max (<20.0MHz) 2.0mA max (≥20.0MHz)	■	■	
<b>Output waveform:</b> Clipped sine, 0.8V p-p (see note 2)	■	■	
<b>Test load:</b> 10kΩ // 10pF	■	■	
<b>Start up time:</b> 2.5ms max	■	■	
<b>Frequency adjustment:</b> None ±8ppm min, +1.5 ±1.0V	■	■	
<b>Phase noise (typ @ 20.0MHz):</b> -54dBc/Hz @ 1Hz -86dBc/Hz @ 10Hz -135dBc/Hz @ 1kHz -151dBc/Hz @ 100kHz	■ ■ ■ ■	■ ■ ■ ■	
<b>Stability 2hrs after reflow:</b> ±1.0ppm max	■	■	
<b>Preset frequency:</b> ±0.5ppm / +25°C ±2°C	■	■	

■ Standard. □ Optional - Please specify required code(s) when ordering

## Features

- ▶ **Supply voltages from 2.3V ~ 3.6V**
- ▶ **Low power consumption**
- ▶ **Miniature SM package**
- ▶ **Excellent frequency stability**

## Standard Frequencies

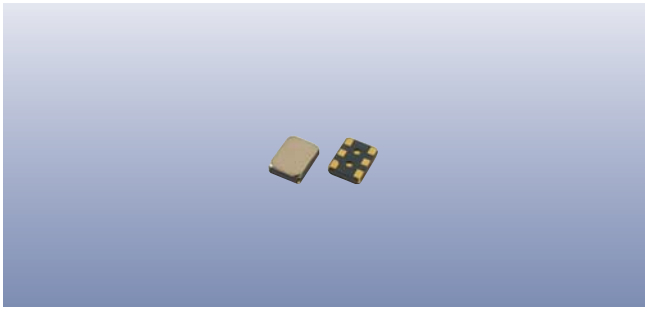
Frequencies in MHz	
12.80000	19.20000
13.00000	19.44000
14.40000	19.68000
15.00000	19.80000
15.36000	24.55350
16.00000	26.00000
16.36800	40.00000

Other frequencies available. Please consult our sales office.

## Ordering Information

Product name + variant + option codes + frequency  
 Option codes must be included to properly specify a model.  
 eg: **GTXO-92V/JS 13.00MHz** ±2.5ppm -30+75°C, TCXO with VC  
**GTXO-92T/HN 14.40MHz** ±2.0ppm -20+70°C, TCXO no VC  
 Option code X (eg GTXO-92V/X) denotes a custom spec.

- ♦ 1: Will operate within specification on any supply voltage from +2.3V to +3.6V.
- ♦ 2: The output is not DC-free. A coupling capacitor (10nF) may be required.



## Packaging & Handling

Production quantities supplied on T & R, 1k or 3k pcs per reel.  
Small quantities may be supplied on tape (no reel), or in bulk.



◆ Static sensitive product. Observe proper handling precautions

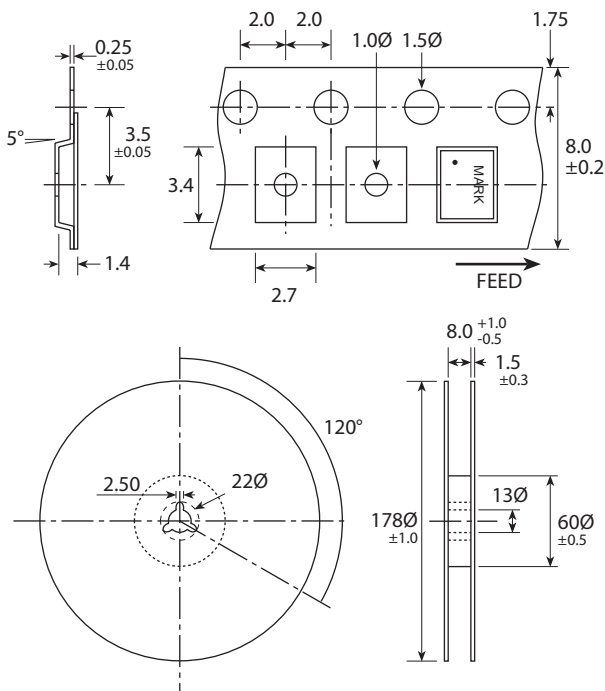
## Marking

S92 DC  
FREQUENCY

Marking type: Laser  
DC = Date code in YM, eg "CE" = May 2003

	A	B	C	D	E	F	G	H	J	K	L	M
Y	1	2	3	4	5	6	7	8	9	0		
M	Jan	Feb	Mar	Apr	May	Jun	Jul	Aug	Sep	Oct	Nov	Dec

## Tape & Reel Specification



Not to scale. Dimensions in mm. Tolerances ±0.1mm unless otherwise stated

## Construction

▮▮▮▮ **Ceramic body with gold-plated pads**

▮▮▮▮ **Metal lid, seam sealed**

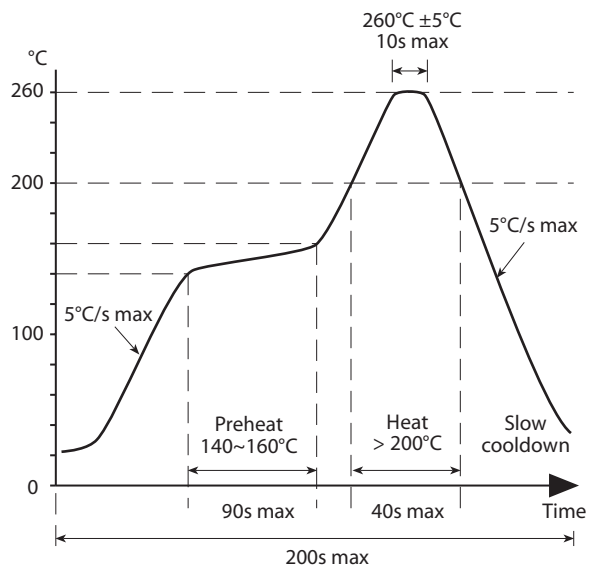
## Composition



This product is lead-free, and is fully compliant with the RoHS directive 2002/95/EC



## Soldering Profile



Solder resistance: 260°C x 10 secs x 2.