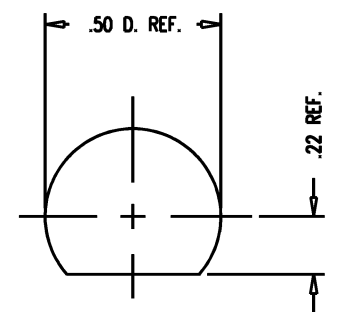
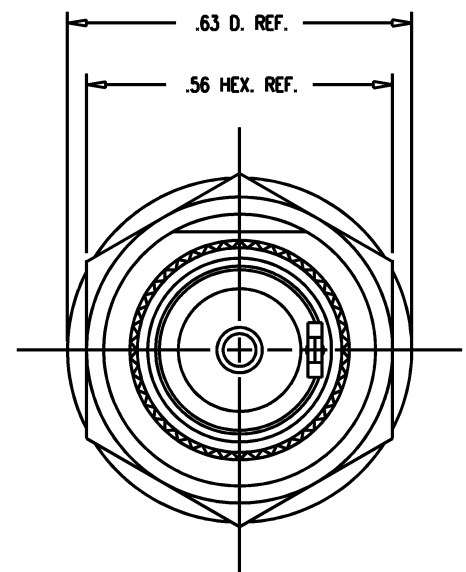
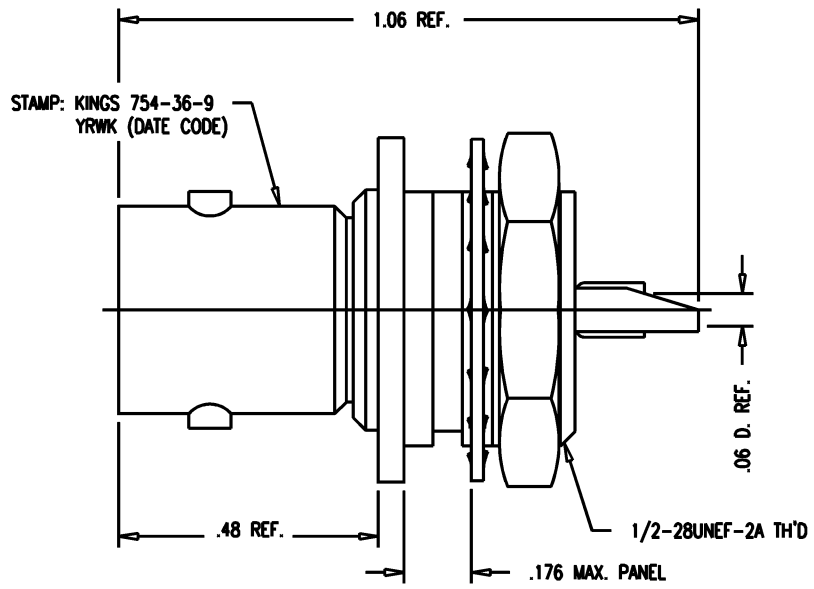


SD



MOUNTING HOLE

SD

754-36-9

REVISIONS

ISSUE	CHANGES
0	ER 38810 DCT 3/21/3
1	CN 38885 C HVN 07/18/03

754-36-9SR1

SCALE 4:1

APPROX SURFACE AREA

USED ON

REF: KC-79-67

RECEPTACLE, ISOLATED GROUND, BNC

DRAWN HVN DATE 05/02/02

DESIGN HVN DATE 05/02/02

APPR. DATE

KINGS
ELECTRONICS CO., INC.
ROCK HILL, SOUTH CAROLINA 29730

754-36-9

NOTES:

- INTERFACE PER MIL-STD-348, FIG. 301-2.
- MATERIALS:
INSULATORS: REXOLITE
LOCKWASHER: PHOS. BRONZE.
CENTER CONTACT } BER. COP.
LUG }
ALL OTHER PARTS: BRASS.
- FINISHES:
CENTER CONTACT: SILVER PLATE.
ALL OTHER METAL PARTS: KINGS TARNISH RESISTANT FINISH (TR-5)
- ELECTRICAL CHARACTERISTICS:
VOLTAGE RATING: 500 VRMS
FREQUENCY RANGE: DC TO 4 GHz