


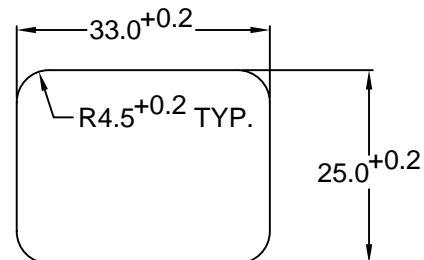
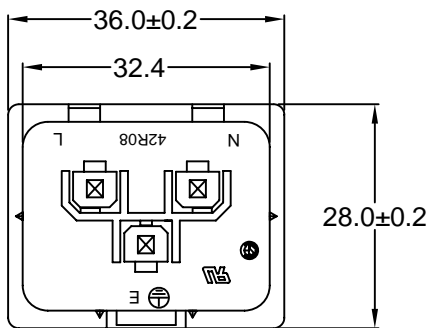


MATERIAL AND FINISH:

Insulator: Polycarbonate, UL-94V-0 rated
Contacts: Brass, Nickel plated

ELECTRICAL SPECIFICATIONS:

Current rating: 16 A 
Voltage rating: 250 VAC
Current rating: 20 A  
Voltage rating: 250 VAC
Insulation resistance: 100 Mohm min. at 500 VDC
Dielectric withstanding voltage: 2000 VAC for one minute



RECOMMENDED
PANEL CUTOUT

MECHANICAL SPECIFICATIONS:




Recommended Soldering Temp: 235°C
Recommended Soldering Time: 5 sec. max.

ORDERING CODE:

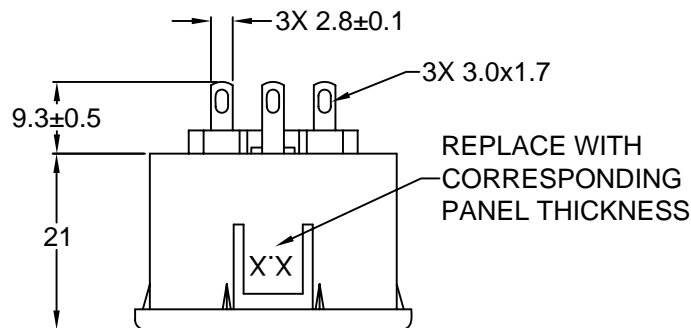
42R08-3 -
 1 2 3

- 1) COLOR
1 = BLACK
2 = GRAY

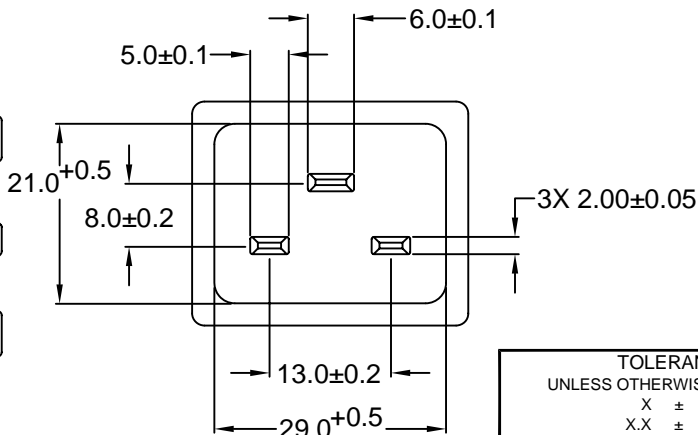
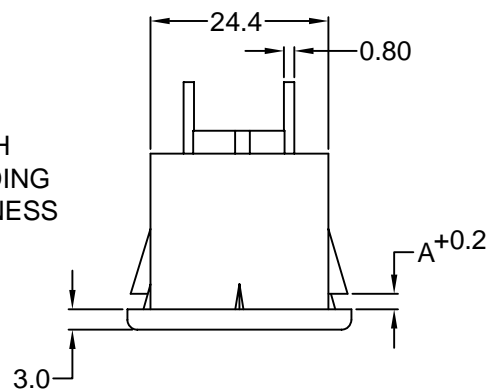
2) ELECTRICAL CIRCUIT CONFIGURATION

- 1 = 20A 250V 70°C 2+GROUND 
- 2 = 20A 250V 155°C 2+GROUND 
- 4 = 20A 250V 70°C 2 POLE 

3) PANEL THICKNESS



REPLACE WITH
CORRESPONDING
PANEL THICKNESS



| P/N | A | MAX. PANEL THICKNESS |
|----------------|-----|----------------------|
| 42R08-3X2X-100 | 1.0 | 1.0 |
| 42R08-3X2X-150 | 1.5 | 1.5 |
| 42R08-3X2X-200 | 2.0 | 2.0 |
| 42R08-3X2X-250 | 2.5 | 2.5 |

ADDITIONAL PANEL THICKNESS
AVAILABLE ON REQUEST

| REV | DATE | CHANGE | | | CHNG CHECK APPR | | |
|-----|---------|------------------------|----------------------|------------|-----------------|----|----|
| | | ADD SOLDER TEMP & TIME | ADD 1.0 PANEL & RoHS | TERM. DIM. | PB | TD | PB |
| A | 10/8/04 | | | | | | |
| B | 7/2/07 | | | | | | |
| C | 7/17/09 | | | | | | |

| TOLERANCE UNLESS OTHERWISE SPECIFIED | |
|---|--------|
| X | ± 1 |
| X.X | ± 0.4 |
| X.XX | ± 0.20 |

| | | | |
|----------|----|-------|----------|
| DRAWN BY | GQ | DATE: | 08/24/01 |
| CHECK BY | TD | DATE: | 08/29/01 |
| APPR BY | PB | DATE: | 08/29/01 |

**RoHS
COMPLIANT**

Power Dynamics, Inc.

Phone: 973 560-0019 Whippany, New Jersey Fax: 973 560-0076

PART: 16/20A IEC 60320 APPL. INLET; SOLDER
TERMINALS; SNAP-IN, PANEL MOUNT

| | | | |
|---------|-----------------------|--|--------|
| PART #: | 42R08-3X2X-XXX | SHEET | 1 of 1 |
| SIZE: | A | ALL DIMENSIONS FOR REFERENCE ONLY DIMENSIONS ARE IN MILLIMETERS | REV: C |
| SCALE: | NTS | | |