

# INTEGRATED CONNECTOR MODULES

## 0875-1G2T-E3 Gigabit Ethernet MagJack® 1 x 2 with LEDs



LED1 POLARITY			LED2 POLARITY		
PIN 11	PIN 12	COLOR	PIN 13	PIN 14	COLOR
+	-	GREEN	+	-	GREEN

### ELECTRICAL CHARACTERISTICS @ 25°C

#### URNS RATIO

TP1	1CT : 1CT ±2%
TP2	1CT : 1CT ±2%
TP3	1CT : 1CT ±2%
TP4	1CT : 1CT ±2%

OCL @ 100kHz/100mVRMS 350μH MIN.

8mA DC BIAS (0°C - 70°C)

#### INS. LOSS

100kHz TO 125MHz -1.2 dB MAX

#### RET. LOSS (MIN) @ 100OHMS ±15%

0.5MHz-40MHz	-18 dB
40MHz-100MHz	-12+20LOG(F/80MHz) dB

#### CM TO CM REJ

100kHz - 100MHz -30 dB MIN

#### CM TO DM REJ

100kHz - 100MHz -35 dB MIN

#### CROSS TALK

1MHz-100MHz -35 dB MIN

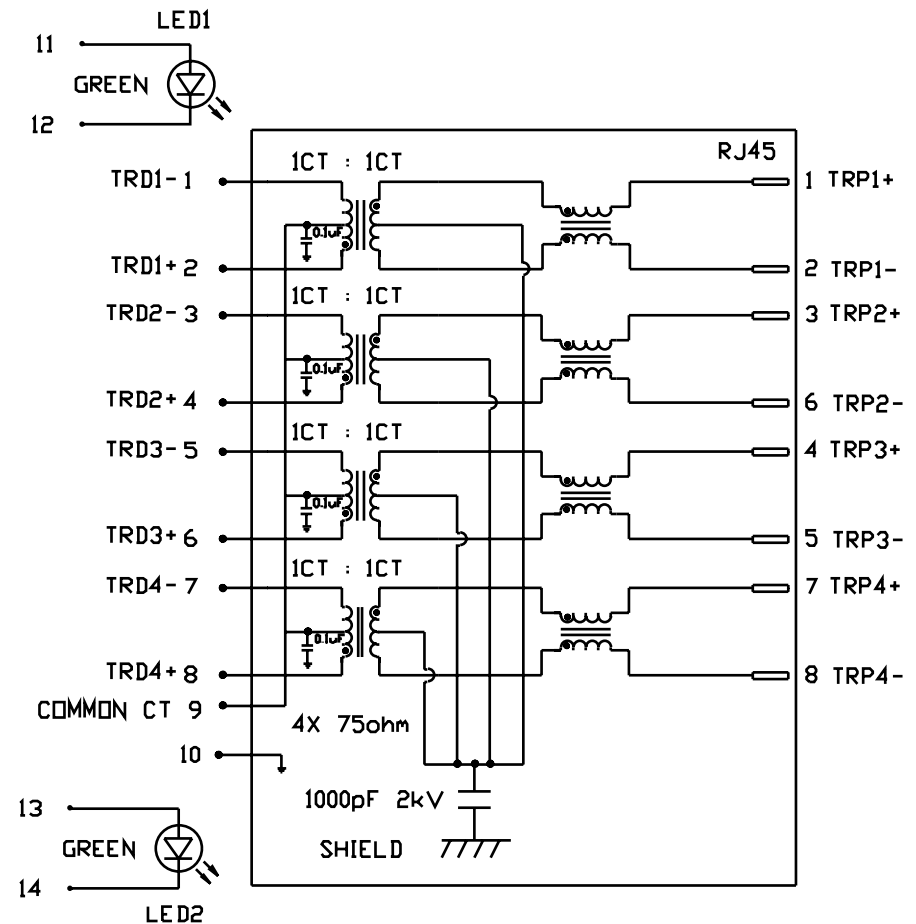
HIPOT (Isolation Voltage): 1500 Vrms or 2250 VDC

100% OF PRODUCT TESTED IN PRODUCTION

#### LED 1 & 2

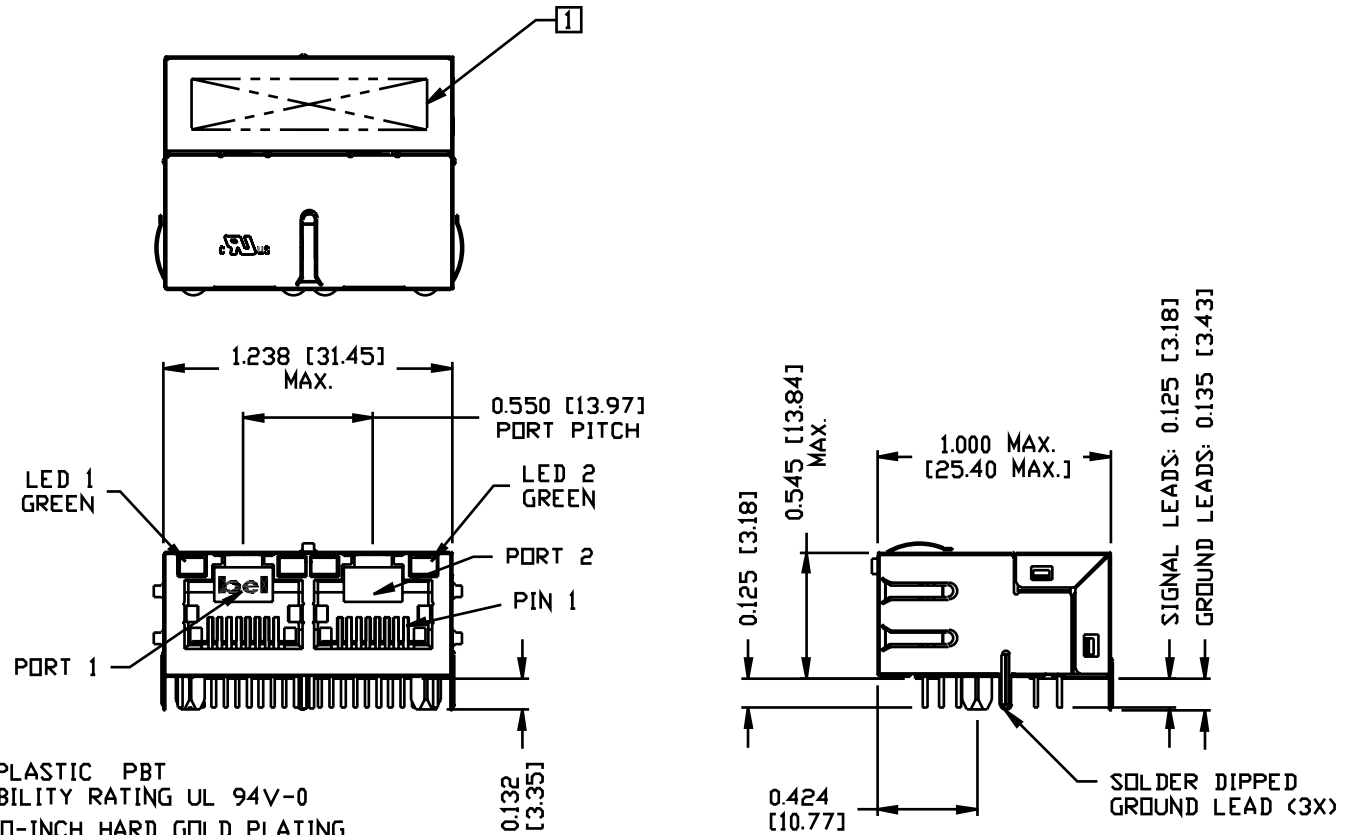
V<sub>F</sub> (FORWARD VOLTAGE) IF=20mA GREEN 2.2V TYP.

λ<sub>D</sub> (DOMINANT WAVELENGTH) IF=20mA GREEN 565nm TYP.



# INTEGRATED CONNECTOR MODULES

## 0875-1G2T-E3 Gigabit Ethernet MagJack® 1 x 2 with LEDs



**NOTES:**

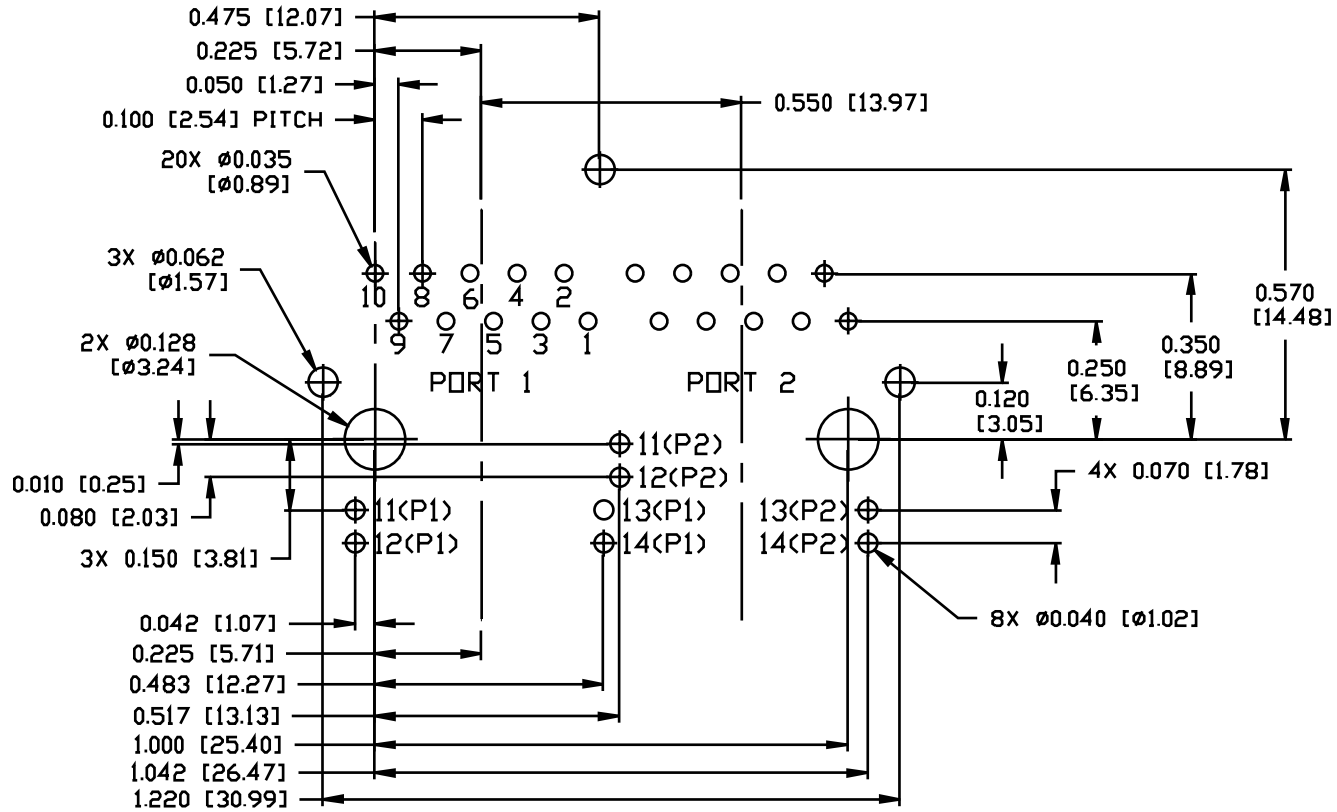
- PLASTIC HOUSING: THERMOPLASTIC PBT  
FLAMMABILITY RATING UL 94V-0
- CONTACTS PLATING: 15 MICRO-INCH HARD GOLD PLATING
- PINS: TIN-COATED COPPER WIRE, DIA 0.018 INCH.
- METAL SHIELD: NICKEL PLATED ON COPPER ALLOY.  
(ALL GROUND LEADS ARE SOLDER DIPPED)

1 MARK PART WITH MFG LOGO, PART NUMBER, DATE CODE AND MFG NAME.  
RoHS COMPLIANCE, PER EU DIRECTIVE 2002/95/EC.

UL RECOGNIZED - FILE #E196366 AND E169987.

# INTEGRATED CONNECTOR MODULES

## 0875-1G2T-E3 Gigabit Ethernet MagJack® 1 x 2 with LEDs



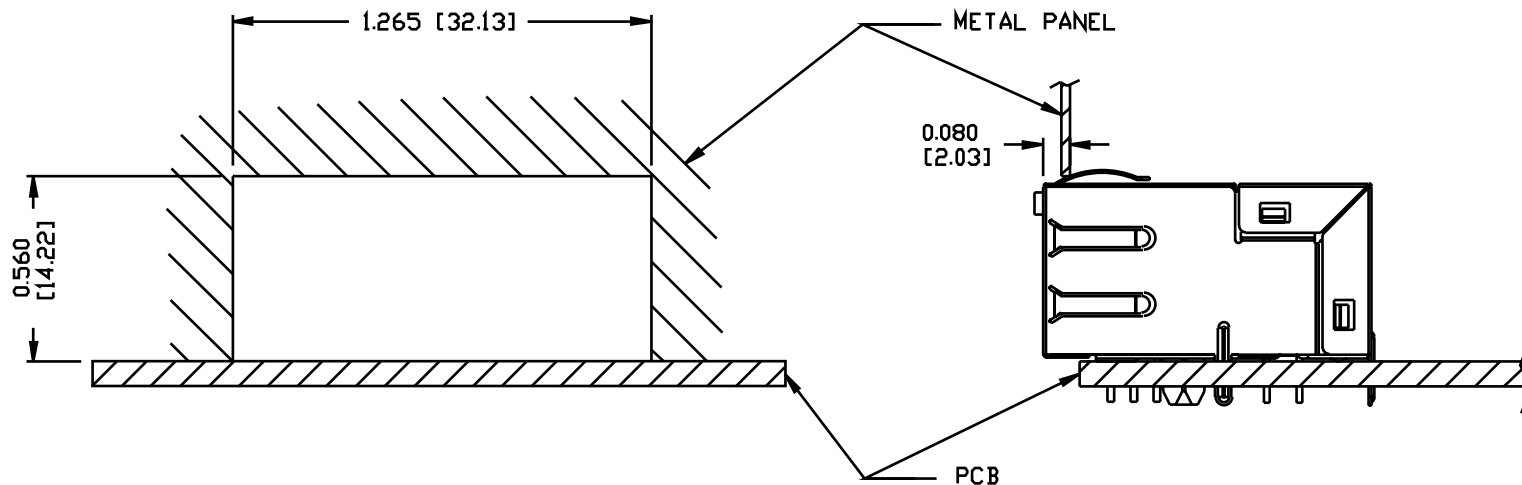
RECOMMENDED PCB FOOTPRINT  
 COMPONENT SIDE VIEW

# INTEGRATED CONNECTOR MODULES

## 0875-1G2T-E3 Gigabit Ethernet MagJack® 1 x 2 with LEDs



SUGGESTED PANEL OPENING



**NOTES:**

THE DISTANCE OF PANEL INSIDE SURFACE RELATIVE TO FRONT SURFACE OF PART IS ONLY A SUGGESTION. IN CASE THIS DISTANCE IS DIFFERENT, THE REQUIRED PANEL OPENING DIMENSIONS CHANGE ACCORDINGLY.

**PACKING INFORMATION**

PACKING TRAY : 0200-9999-G4 (TOP)  
 0200-9999-G5 (BOTTOM)

PACKING QUANTITY : 49 PCS FINISHED GOODS PER TRAY  
 8 TRAYS (392 PCS FINISHED GOODS) PER CARTON BOX

NOTE : CARDBOARDS ARE PLACED BETWEEN LAYERS OF PACKING TRAY INSIDE CARTON BOX  
 (INCLUDE THE UPPERMOST AND LOWERMOST TRAY)