

## Round Type LED lamp

BL-L512

### Features:

- Ø 5mm Round Type LED lamp
- Ø Ultra brightness.
- Ø Choice of various viewing angles.
- Ø Diffused, Transparent and Water clear lens are available.
- Ø IC compatible /Low current capability.
- Ø RoHs Compliance



### Electrical-optical characteristics: (Ta=25°C) (Test Condition: IF=20mA)

Part Number	Chip			Lens Type	Forward Voltage(VF) Unit:V		Luminous Intensity (lv) Unit:mcd		Viewing Angle 2θ/2 (deg)
	Emitted Color	Material	λ <sub>p</sub> (nm)		Typ	Max	Min.	Typ.	
BL-L512SRC	Hi Red	AlGaAs,SH	660	Water Clear	1.85	2.20	50	250	20
BL-L512LRC	Super Red	AlGaAs,DH	660		1.85	2.20	250	600	
BL-L512URC	Ultra Red	AlGaAs,DDH	660		1.95	2.20	600	1000	
BL-L512UEC	Ultra Orange	AlGaInP	630		2.10	2.50	800	2000	
BL-L512UYC	Ultra Yellow	AlGaInP	590		2.10	2.50	1000	2200	
BL-L512UGC	Ultra Green	AlGaInP	574		2.20	2.50	300	700	
BL-L512PGC	Ultra Pure Green	InGaN	525		3.80	4.50	2000	5000	
BL-L512BGC	Ultra Bluish Green	InGaN	505		3.80	4.50	1800	4000	
BL-L512BC	Blue	InGaN	430		3.80	4.50	800	2000	
BL-L512UBC	Ultra Blue	InGaN	470		2.70	4.20	2000	5000	
BL-L512VC	UV	InGaN	405		3.80	4.50	80	150	
BL-L512UWC	Ultra White	InGaN	/		2.70	4.20	3000	10000	
BL-L512SRD	Hi Red	AlGaAs,SH	660		Diffused	1.85	2.20	20	
BL-L512LRD	Super Red	AlGaAs,DH	660	1.85		2.20	50	120	
BL-L512URD	Ultra Red	AlGaAs,DDH	660	1.95		2.20	100	220	
BL-L512UED	Ultra Orange	AlGaInP	630	2.10		2.50	120	300	
BL-L512UYD	Ultra Yellow	AlGaInP	590	2.10		2.50	120	320	
BL-L512UGD	Ultra Green	AlGaInP	574	2.20		2.50	45	100	
BL-L512PGD	Ultra Pure Green	InGaN	525	3.80		4.50	400	900	
BL-L512BGD	Ultra Bluish Green	InGaN	505	3.80		4.50	300	800	
BL-L512UBD	Ultra Blue	InGaN	470	2.70		4.20	400	900	
BL-L512UWW	Ultra White	InGaN	/	2.70		4.20	1000	2000	

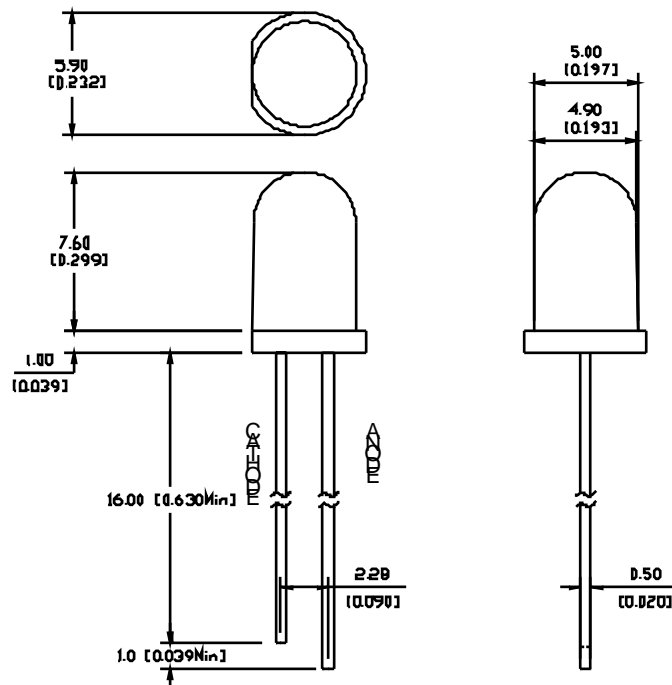
## Round Type LED lamp

BL-L512

### Absolute maximum ratings (Ta=25°C)

Parameter	SR	LR	UR	UE	UY	UG	PG	BG	B	UB	UV	W	Unit
Forward Current $I_F$	25	25	25	30	30	30	30	30	30	30	30	30	mA
Power Dissipation $P_d$	60	60	60	65	65	75	110	110	120	120	120	120	mW
Reverse Voltage $V_R$	5	5	5	5	5	5	5	5	5	5	5	5	V
Peak Forward Current $I_{PF}$ (Duty 1/10 @1KHZ)	150	150	150	150	150	150	150	100	100	100	100	100	mA
Operation Temperature $T_{OPR}$	-40 to +80												°C
Storage Temperature $T_{STG}$	-40 to +85												°C
Lead Soldering Temperature TSOL	Max.260±5°C for 3 sec Max. (1.6mm from the base of the epoxy bulb)												°C

### Package configuration & Internal circuit diagram



#### Notes:

1. All dimensions are in millimeters (inches)
2. Tolerance is  $\pm 0.25(0.01)$  unless otherwise noted.
3. Specifications are subject to change without notice.

# Round Type LED lamp

BL-L512

## Typical electrical-optical characteristics curves:



- (1) - GaAsP/GaAs 655nm/Red
- (2) - GaP 570nm/Yellow Green
- (3) - GaAsP/GaP 585nm/Yellow
- (4) - GaAsP/GaP 635nm/Orange & Hi-Eff Red
- (5) - GaP 700nm/Bright Red
- (6) - GaAlAs/GaAs 660nm/Super Red
- (8) - GaAsP/GaP 610nm/Super Red
- (9) - GaAlAs 880nm
- (10) - GaAs/GaAs & GaAlAs/GaAs 940nm
- (A) - GaN/SiC 430nm/Blue
- (B) - InGaN/SiC 470nm/Blue
- (C) - InGaN/SiC 505nm/Ultra Green
- (D) - InGaAlSiC 525nm/Ultra Green



FORWARD VOLTAGE (Vf)  
FORWARD CURRENT VS.  
FORWARD VOLTAGE



FORWARD CURRENT (mA)  
RELATIVE LUMINOUS  
INTENSITY VS. FORWARD  
CURRENT



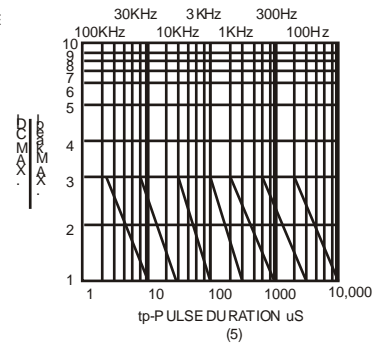
AMBIENT TEMPERATURE Ta ( ° )  
FORWARD CURRENT VS. AMBIENT  
TEMPERATURE



AMBIENT TEMPERATURE Ta ( ° )



tp-PULSE DURATION  $\mu$ s  
(1,2,3,4,6,8,B,D,J,K)



tp-PULSE DURATION  $\mu$ s  
(5)

NOTE:25 free air temperature unless otherwise specified

Round Type LED lamp

BL-L512

Packing and weighting

