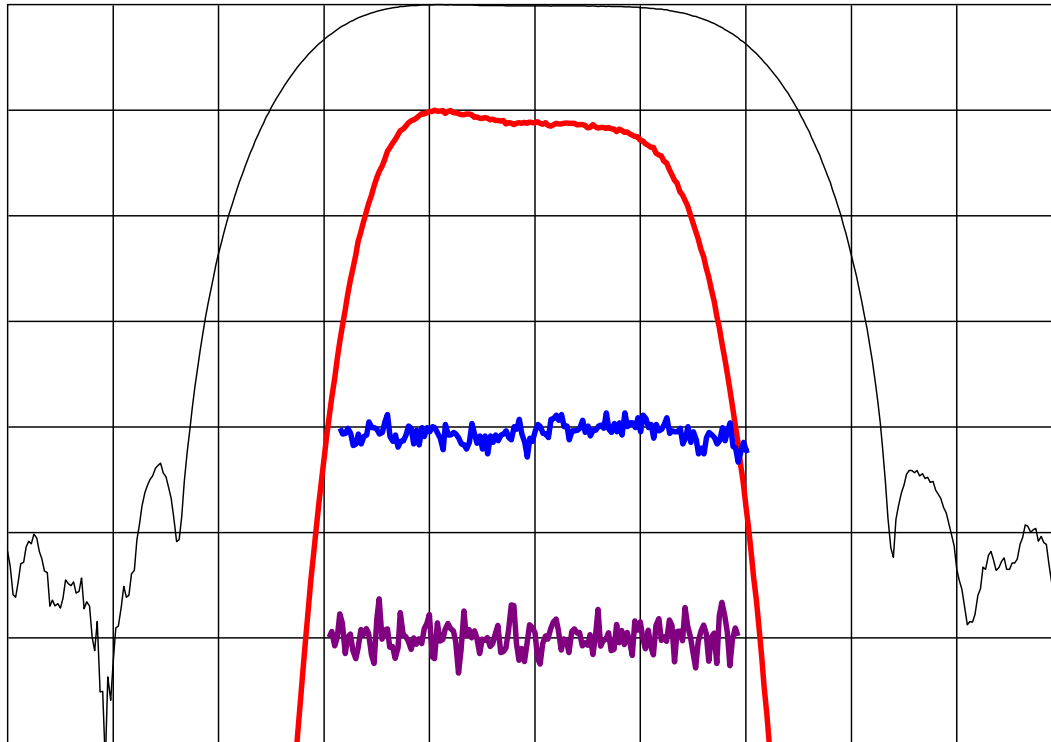




DESCRIPTION

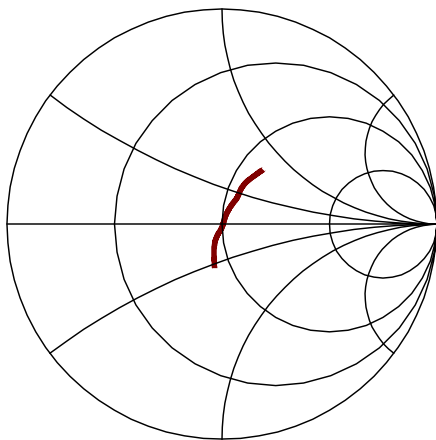
- 68.256 MHz SAW bandpass filter with 2.4 MHz bandwidth.
- 35.05 X 20.6 mm 8-pin DIP package.
- RoHS compliant.

TYPICAL PERFORMANCE

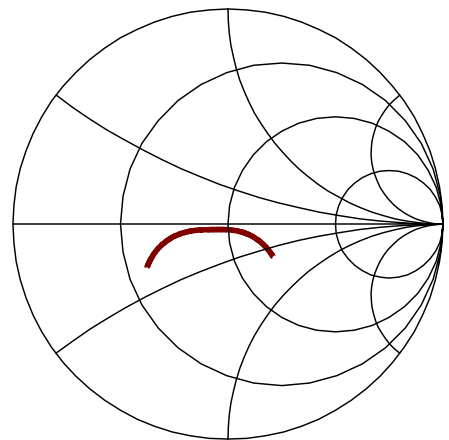


Horizontal:	Frequency	1	MHz / div
Vertical (from top):	Magnitude	10	dB/div
	Magnitude	1	dB/div
	Phase Deviation	2	deg/div
	Group Delay Deviation	50	ns/div

S11 (63.26-73.26 MHz)



S22 (63.26-73.26 MHz)



SPECIFICATION

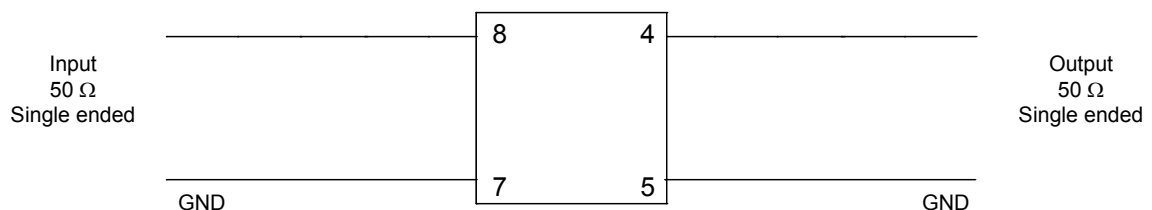
Parameter	Min	Typ	Max	Units
Center Frequency, F_C ¹	67.056	68.256	69.456	MHz
Insertion Loss	32	33.6	36	dB
1 dB Bandwidth	2.4	3.08	-	MHz
3 dB Bandwidth	3.7	3.86	4.1	MHz
20 dB Bandwidth	5.6	5.81	6.2	MHz
35 dB Bandwidth	6.3	6.43	7	MHz
Phase Linearity (F_C +/- 1.85 MHz)	-	2	4	deg p-p
Phase Linearity (F_C +/- 2.4 MHz)	-	5	10	deg p-p
Lower 3 dB Frequency	$F_C-2.05$	-	$F_C-1.85$	MHz
Upper 3 dB Frequency	$F_C+1.85$	-	$F_C+2.05$	MHz
Lower 20 dB Frequency	$F_C-3.1$	-	$F_C-2.8$	MHz
Upper 20 dB Frequency	$F_C+2.8$	-	$F_C+3.1$	MHz
Lower 35 dB Frequency	$F_C-3.5$	-	$F_C-3.15$	MHz
Upper 35 dB Frequency	$F_C+3.15$	-	$F_C+3.5$	MHz
Absolute Delay	2.4	2.45	2.5	us
Group Delay Ripple (F_C +/- 1.85 MHz)	-	30	100	ns p-p
Rejection (30 to $F_C-3.5$ MHz) ²	35	42	-	dB
Rejection ($F_C+3.5$ to 150 MHz) ²	35	42	-	dB
Input VSWR (F_C +/- 1.2 MHz)	-	1.4	1.5	:1
Output VSWR (F_C +/- 1.2 MHz)	-	1.4	1.5	:1
Source and Load Impedance	50			ohms
Ambient Temperature	-	25	-	°C

- Notes:
1. Reference frequency. Computed as mean of the 3 dB frequencies.
 2. All dB values are referenced to the insertion loss value.

MAXIMUM RATINGS

Parameter	Min	Max	Units
Storage Temperature Range	-40	85	°C
Operating Temperature Range	-18	63	°C
Input Power Level	-	10	dBm

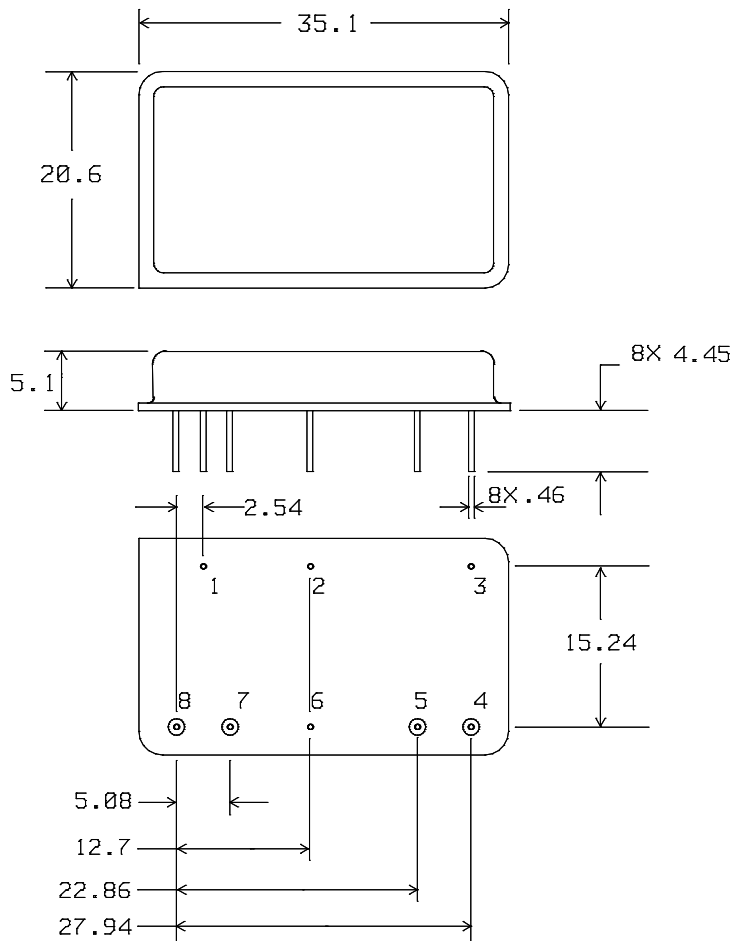
MATCHING CIRCUIT



Notes:

- Device is internally matched. No external matching components are required.

PACKAGE OUTLINE



Units: mm

Tolerances are typically ± 0.15 mm except where indicated.

Pad Configuration:

Input:	8
Input return:	7
Output:	4
Output return:	5
Ground:	All other pins

ISO 9001
Registered

All specifications are believed to be accurate and reliable. However, MNC reserves the right to make changes without notice.
© 2008 All rights reserved.