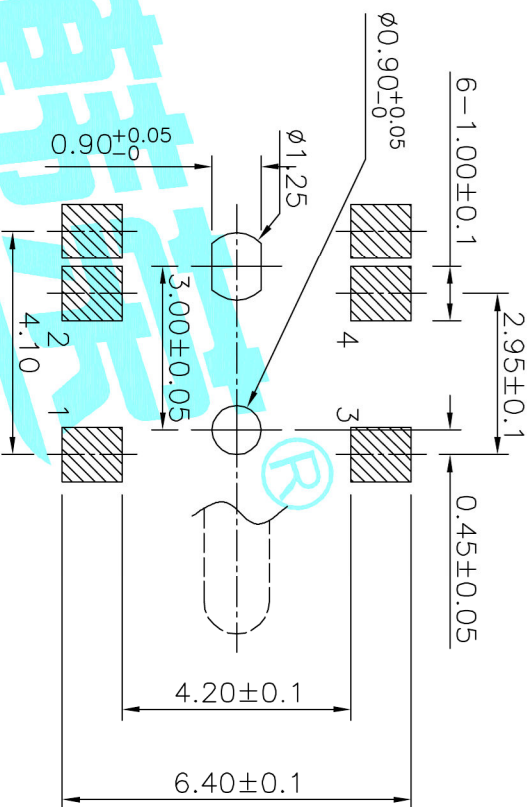
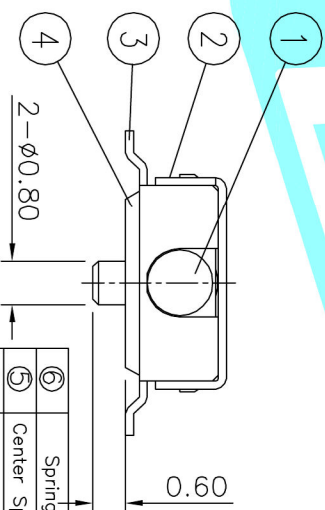
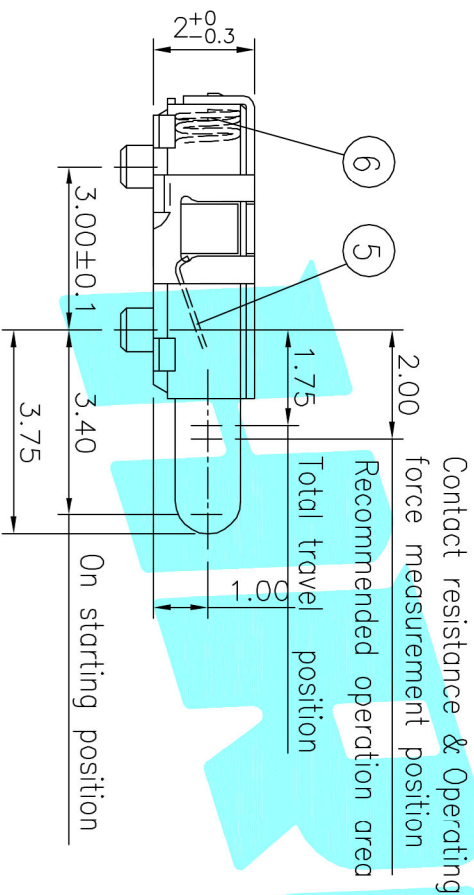


CIRCUIT DIAGRAM



PCB LAND DIMENSION  $\Phi$  0.05



ITEM	PART NAME	TER'NO.	QTY.	MATERIAL	FINISHING	REMARK
⑥	Spring	—	1	SUS	Natural	—
⑤	Center Spring	—	1	Phosphor Bronze	Ag Plated	—
④	Base	—	1	PA46	Black	—
③	Terminal	—	4	Phosphor Bronze	Ag Plated	—
②	Cover	—	1	SUS	Natural	—
①	Knob	—	1	PA46	Black	—

NOTE:  
 Rating: DC 12V 50mA  
 Operating Force: 120±30gf  
 Lifetime: 100,000 Cycles

ECN NO.	REV.	DATE.	DESCRIPTION.	CHANGE.	CHECK.	APPRO.	TOLERANCES ARE	APPROVALS	DATE	TITLE:	PART NO.	SCALE:	PROJ.	SHEET	
	A		NEW				30~0.15 10~0.30 5~10 ~5		J.X.Zhang	2013/9/22	DETECTOR SWITCHS	K5-1624SA-01	1:1	PROJ.	1 OF 1