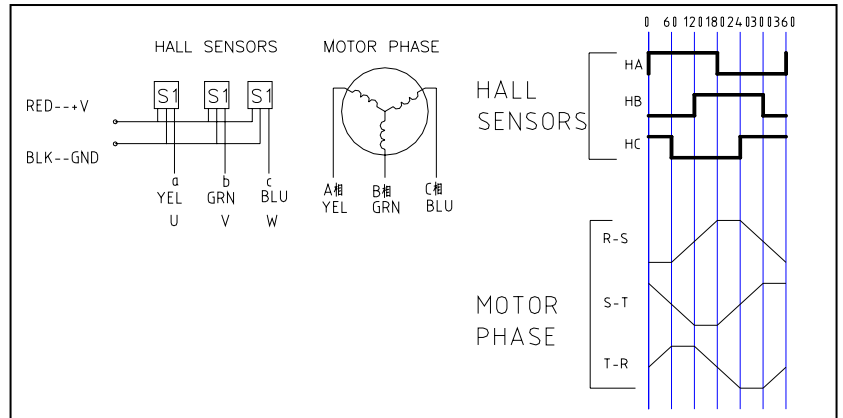
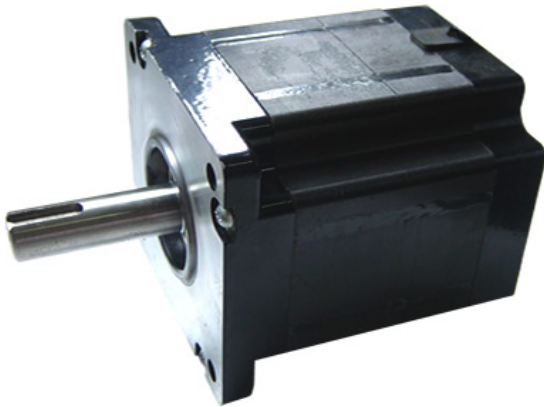


3 Phase Hi-Torque DC Brushless Motor

110 series, 110x110mm Frame Size

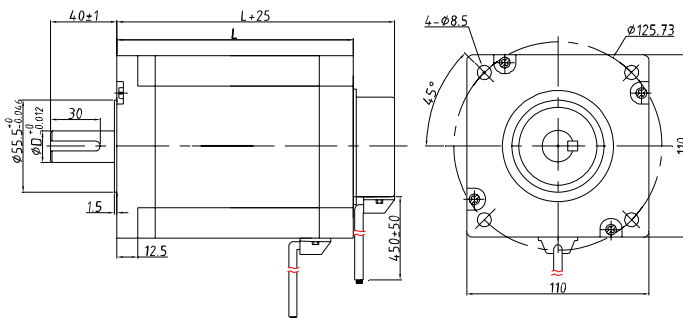


Electrical Specifications:

Model	Rated power	Rated voltage	Current	Number of poles	Rated speed	Torque @ rated speed	Peak torque	Moment constant	Length L	Weight
	W	V DC	A		rpm	N.m	N.m	N.m/A	mm	Kg
110BLDC110A-640x	940	310	4.33	8	3000	3	9	0.69	113	4.5
110BLDC170A-630x	1250	310	5.76	8	2000	6	18	1.04	173	7

*Note: We can also manufacture products according to customer's requirements.

Dimensions: unit=mm



Model	Shaft Diameter D	Shaft Shape
110BLDC110A-640x	φ 19	Key 6X30
110BLDC170A-630x	φ 19	Key 6X30