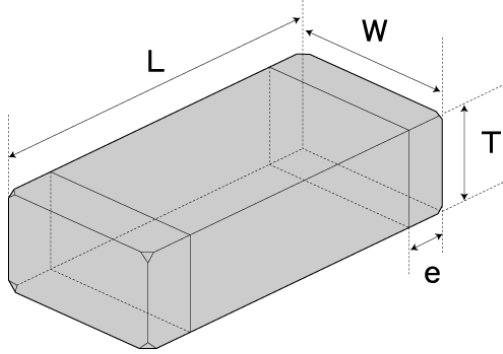


UMK063CG3R9CTHF



■ Features

- Item Summary
50V, COG, 3.9pF, -0.25pF to 0.25pF, 0201
- Lifecycle Stage
Mass Production
- AEC-Q200 qualified
- Standard packaging quantity (minimum)
Taping paper 15000pcs

■ Products characteristics table

CaseSize (EIA/JIS)	0201/0603
Rated Voltage (max)	50V
Capacitance	3.9pF
Capacitance Tolerance	-0.25pF to 0.25pF
Resistance	10,000 MΩ min.
Q (min)	478
Temperature Characteristics (EIA/JIS)	COG/CG
Temperature Range (EIA/JIS)	-55 to +125°C/-55 to +125°C
RoHS Compliance	Yes
Halogen Free	Yes
Soldering Method	Reflow

■ External Dimensions

L	0.6mm ±0.03
W	0.3mm ±0.03
T	0.3mm ±0.03
e	0.15mm ±0.05