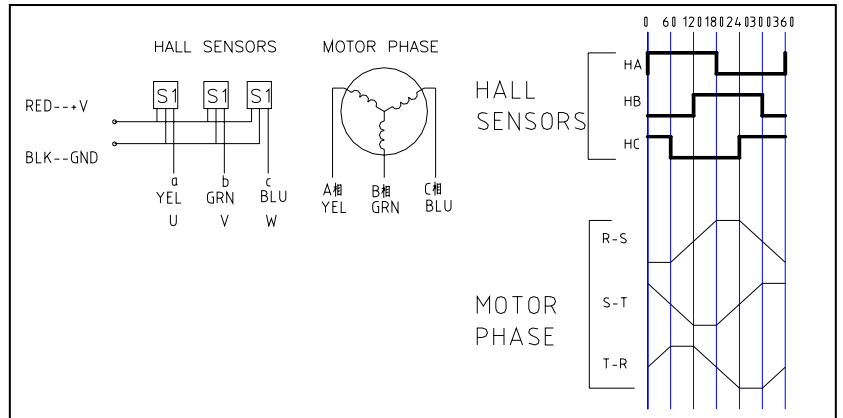


3 Phase Hi-Torque DC Brushless Motor

70 series, 70x70mm Frame Size

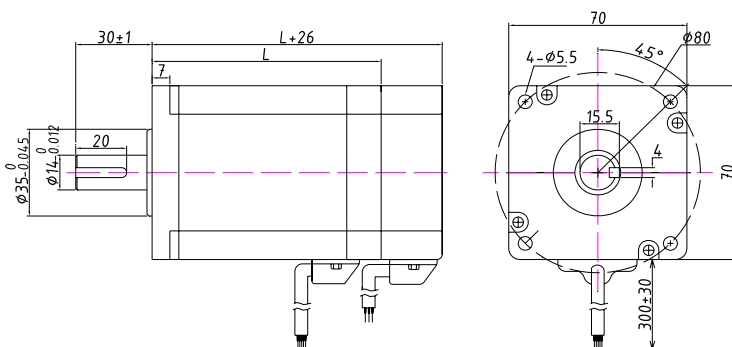


Electrical Specifications:

Model	Rated power	Rated voltage	Current	Number of poles	Rated speed	Torque @ rated speed	Peak torque	Moment constant	Length L	Weight
	W	V DC	A		rpm	N.m	N.m	N.m/A	mm	Kg
70BLDC60A-340	156	36	5.78	8	3000	0.5	1.5	0.09	60	1.3
70BLDC90A-640	313	310	1.44	8	3000	1.0	3.0	0.69	90	2.08

*Note: We can also manufacture products according to customer's requirements.

Dimensions: unit=mm



Model	Shaft Diameter D	Shaft Shape
70BLDC60A-340	φ 12	Flat 1x25
70BLDC90A-640	φ 14	Key 4x20