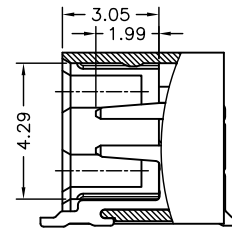
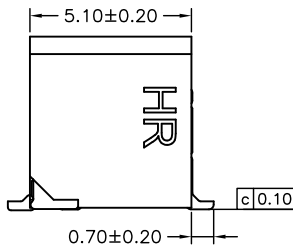
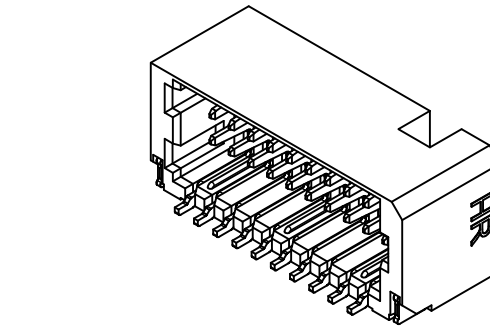
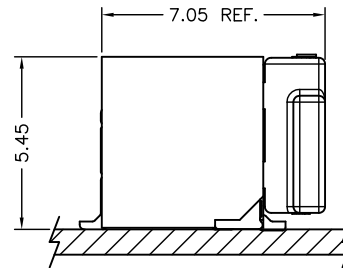


PCB LAYOUT



SEC:A-A



MATED CONDITION

P/N LEGEND

A1001 WR-S-2XNP XXX				
①	②	③	④	⑤
① Series No.				
② Connector type: WR=Wright angel				
③ Mounting type: S=SMT without boss				
④ No. of circuits				
⑤ Option code:				
Blank=Contacts/Gold-flash and Solder tabs/Matte Tin-plated				
D01=Contacts/Gold-flash and Solder tabs/Gold-flash				

SPECIFICATIONS

Current Rating: 1A AC,DC
 Voltage Rating: 50V AC,DC
 Temperature Range: -25°C ~ +85°C
 Contact Resistance: 20mΩ Max.
 Insulation Resistance: 100MΩ Min.
 Withstanding Voltage: 500V AC/minute
 Pin Material: Phosphor Bronze
 Solder Tabs: Brass
 Material: Nylon 6T,UL94V-0
 Color: Natural(Beige)

Circuit No.	Dimensions	
	A	B
2X05P	4.00	8.10
2X06P	5.00	9.10
2X08P	7.00	11.10
2X10P	9.00	13.10
2X15P	14.00	18.10
2X20P	19.00	23.10
2X25P	24.00	28.10



燦達電子工業股份有限公司
 JOINT TECH ELECTRONIC IND. CO., LTD.

UNIT: mm SCALE: 1:1 SHEET: 1 of 2

DRAWN BY: 董正一 2003.06.19
 APPROVED BY: 董正一 2003.06.19

GENERAL TOLERANCE

X. X±0.25
 X. XX±0.15
 X. XXX±0.05

TITLE:
 1.00mm PITCH
 90° WAFER-SMT TYPE,
 DUAL ROW
 DRAW NO.: A1001WR-S-2XNP REV. B3

B3	EN1201160012	2012.01.16	陳敏
REV.	DESCRIPTION	DATE	NAME