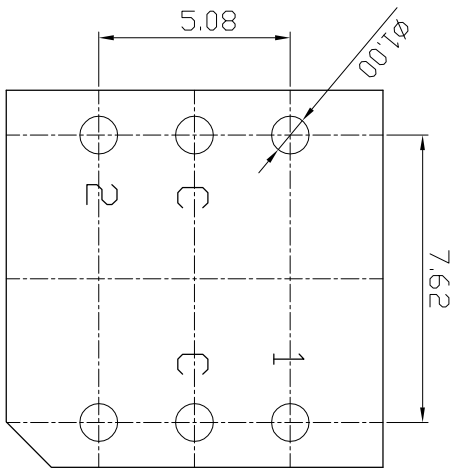
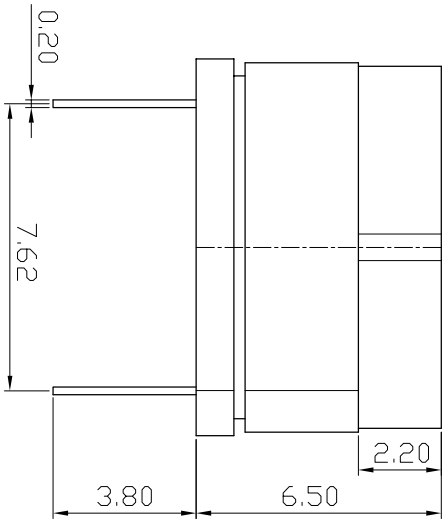
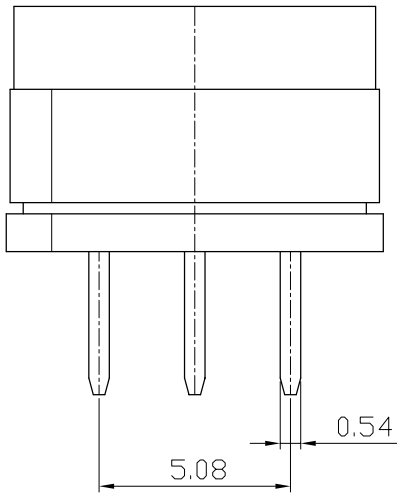
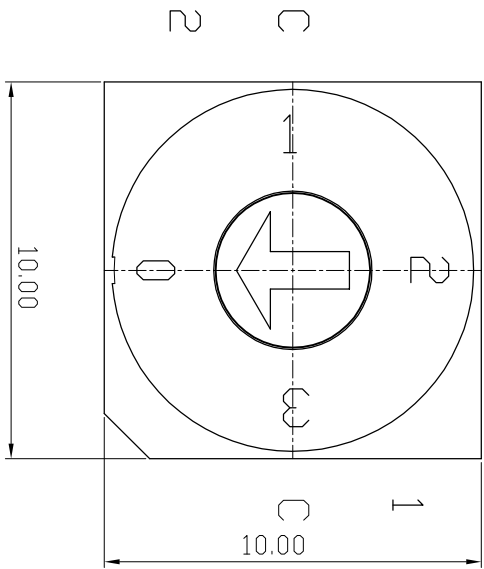


MARK	DATE	REMARKS
△		
△		



P.C.B DIMENSION

SPECIFICATION

1. Rating : 150mA, 42V DC (Switching)
200mA, 42V DC (None-Switching)
2. Contact Resistance : 80mΩ Max
3. Insulation Resistance : 100MΩ Min
4. Operating Force : 700gf Max
5. Life cycle : 10,000 steps

Real Coded			
	C	1	2
04	●		
P		●	
o			●
s	●		
i		●	
t	●		
i			●
n		●	
n			●

APPD	CHKD	D'SGD	TITLE	MODEL NO.	REV
K.L LEE	J.P ROH	J.S SIN	ROTARY DIP SWITCH	TDR-04	A
SUNGWUN ELECTRONICS CO., LTD.					