



PRODUCT SPECIFICATION

Model No:CST-S30320G/S30321G

Descriptions:

- 0.3 Inch Triad Digit SMD Display
- Emitting Color : Yellow Green



CUSTOMER APPROVED	APPROVED BY	CHECKED BY	PREPARED BY
SIGNATURES			

CHINA SEMICONDUCTOR CORPORATION
Address:2FL. NO.909,Chung-Cheng Road,
Chung-Ho City Taipei Hsien,Taiwan.

Tel:886-2-2223-9696
Fax:886-2-2223-9377

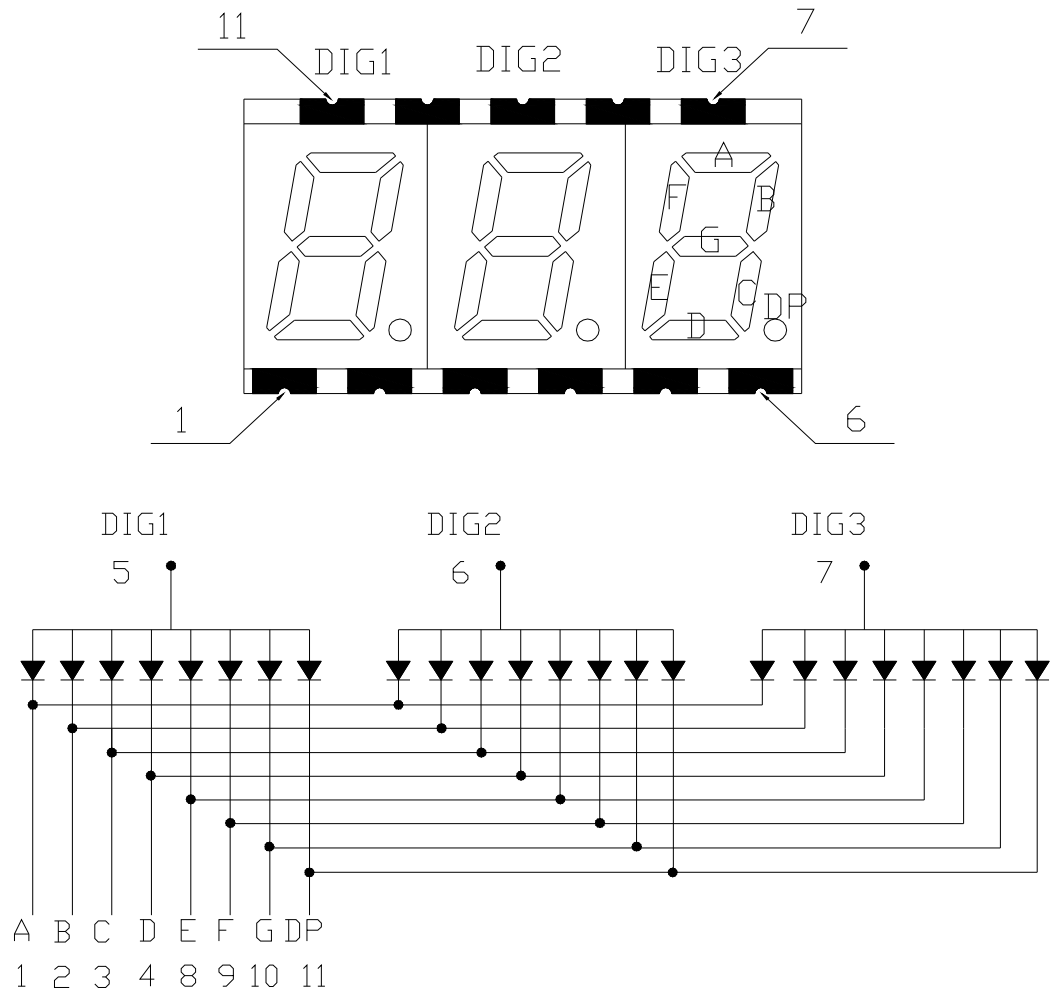
OPTO PLUS TECHNOLOGIES CO.,LTD
Address:696 Shun jiang Rd.,Ji Shan St.Shaoxing,
ZheJiang,China

Tel:86-0575-88623888
Fax:86-0575-88623112



Model No : CST-S30320/S30321G

Internal Circuit Diagrams -



CST-S30320 Common Anode
<CST-S30321 Common Cathode>



Model No : CST-S30320/S30321G

■ Absolute Maximum Rating -

(Ta=25°C)

Parameter	Symbol	Rating	Unit
Power Dissipation Per Dice	P _{AD}	70	mW
Continuous Forward Current Per Dice	I _{AF}	25	mA
Peak Current Per Dice(duty cycle 1/10,1KHz)	I _{PF}	90	mA
Derating Linear From 25°C Per Dice	-	0.33	mA/°C
Reverse Voltage Per Dice	V _R	5	V
Operating Temp.	T _{opr}	-40 ~ +105	°C
Storage Temp.	T _{stg}	-40 ~ +105	°C

■ Electro-optical Characteristics -

(Ta=25°C)

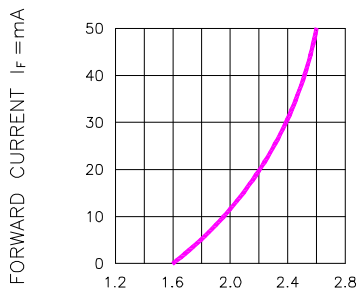
Parameter	Symbol	Min.	Typ.	Max.	Unit	Condition
Forward Voltage Per Segment	V _F	-	2.1	2.8	V	I _F =20mA
Luminous Intensity Per Segment	I _v	1.8	4.5	-	mcd	I _F =10mA
Peak Emission Wavelength	λ _P	-	570	-	nm	I _F =20mA
Spectrum Radiation Bandwidth	Δλ	-	30	-	nm	I _F =20mA
Reverse Current	I _R	-	-	100	μA	V _R =5V
Luminous Intensity Matching Ratio	I _{V-m}	-	-	2:1	-	I _F =10mA



Model No : CST-S30320/S30321G

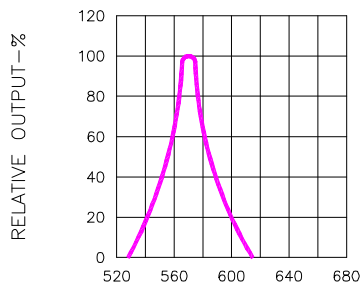
Typical Electrical / Optical Characteristics Curves -

(Ta = 25°C Unless Otherwise Noted)



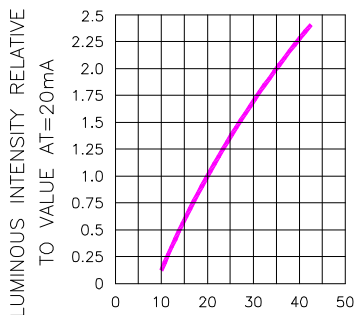
FORWARD VOLTAGE (V_F)—VOLTS

Fig.1 FORWARD CURRENT VS. FORWARD VOLTAGE



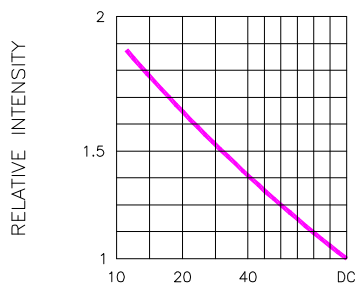
WAVELENGTH (λ)—nm

Fig.2 SPECTRAL RESPONSE



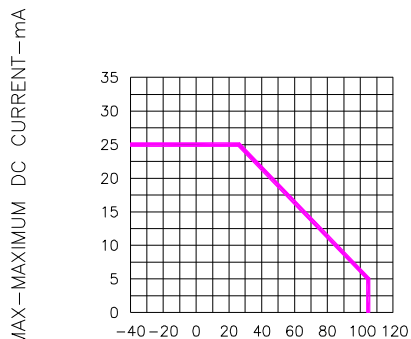
I_F—FORWARD CURRENT—mA

Fig.3 RELATIVE LUMINOUS INTENSITY VS. FORWARD CURRENT



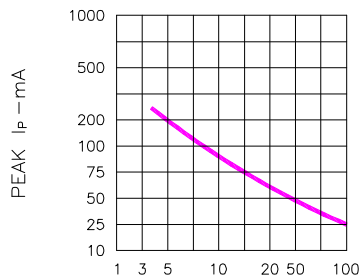
DUTY CYCLE % PER SEGMENT
(AVERAGE I_F=10mA)

Fig.5 LUMINOUS INTENSITY VS. DUTY CYCLE



T_A AMBIENT TEMPERATURE °C

Fig.4 MAXIMUM ALLOWABLE DC CURRENT PER SEGMENT VS. A FUNCTION OF AMBIENT TEMPERATURE



DUTY CYCLE %

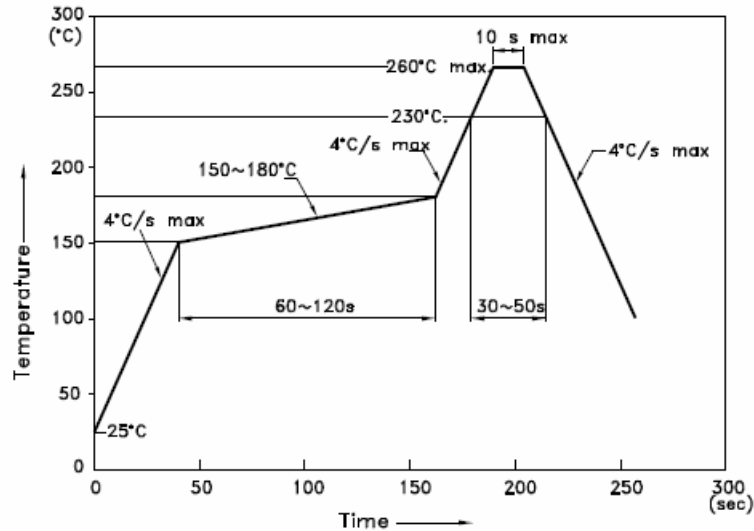
Fig.6 MAX PEAK CURRENT VS. DUTY CYCLE %
(REFRESH RATE f=1 KHz)



Model No : CST-S30320/S30321G

SMT REFLOW SOLDERING INSTRUCTIONS

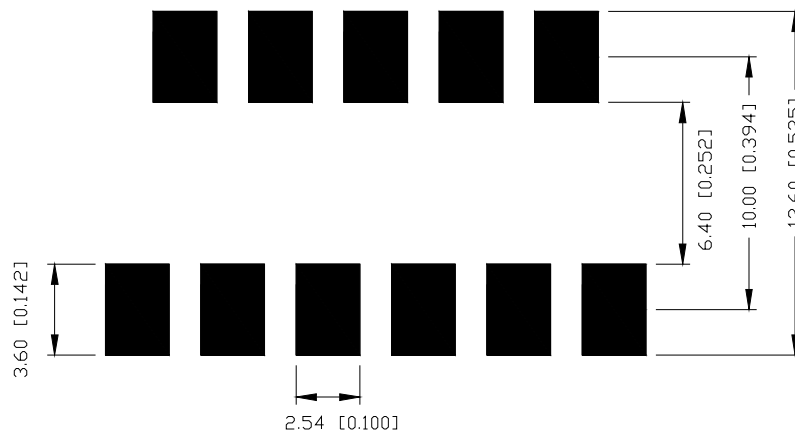
■ IR Reflow Temperature / Time :



NOTES:

1. We recommend the reflow temperature 245°C(+/-5°C). The maximum soldering temperature should be limited to 260°C.
2. Don't cause stress to the epoxy resin while it is exposed to high temperature.
3. Number of reflow process shall be 2 times or less.

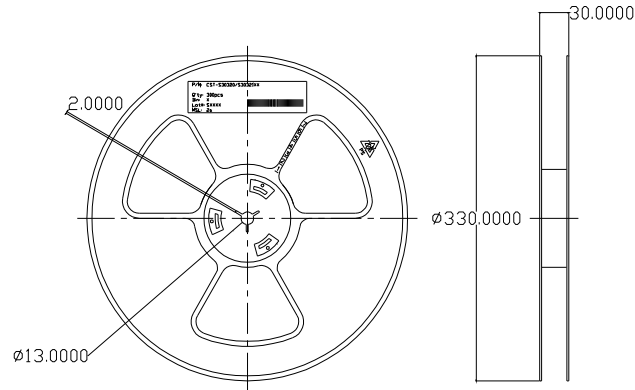
■ Soldering Pad Size



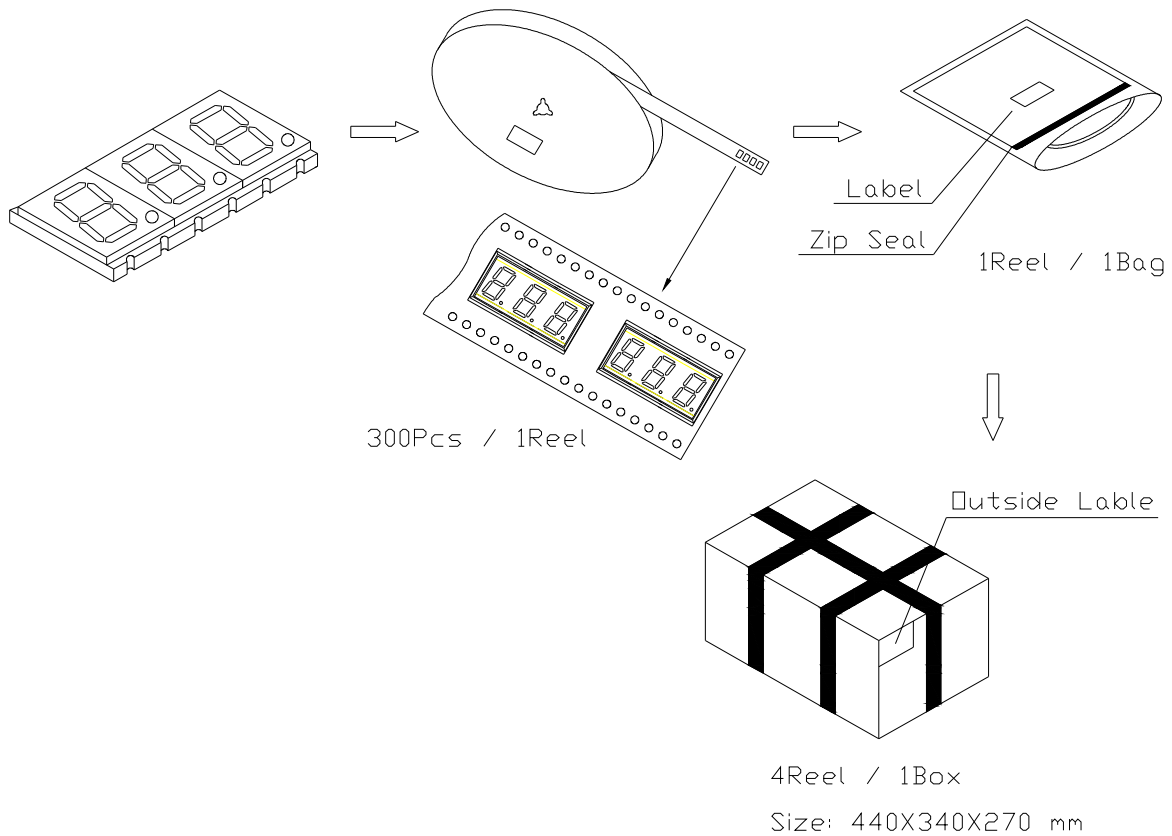


Model No : CST-S30320/S30321G

REEL DIMENSIONS



PACKING & LABEL SPECIFICATIONS



Note: The specifications are subject to change without notice. Please contact us for updated