

PC Board Layout
Component Side Shown

NOTES:
Mechanical:
 1. Housing material : High Temp. Polyester UL94V-0 , Color: Black
 2. Contact material: Phosphor Bronze t=0.35mm
 3. Contact plating: Contact area---Selective gold plating
 Tails---Tin plated all over 50u" Nickel
 4. Operating Life: 750 Cycles min.
 5. PCB Retention Post-solder: 10 LBS min.
Electrical:
 1. Voltage Rating: 125VAC.
 2. Current Rating: 1.5AMP.
 3. Contact Resistance: 35mΩ max.
 4. Insulation Resistance: 1000MΩ min. @ 500 VDC
 5. Dielectric Strength: 1000 VAC 60Hz, 1 min.
Environmental:
 1. Storage: -40°C To +85°C
 2. Operation: -40°C~+85°C
 3. IR Reflow Soldering Temp: 255°C~265°C(5~10S)

Packing: 130pcs/Tape reel, 1300pcs/Carton

Order code: A-2004-2-X-LP/SMT

Contact plating:
 1: Selective 15u" gold
 2: Selective 30u" gold
 3: Selective 50u" gold
 4: Selective 6u" gold

RoHS compliant
Unit:mm

Scale	Free					Date	Name	Customer-No.
TOLERANCE						Drawn	27.05.2013	Amy
X.X	±0.20					Approved	22.04.2014	Amy
X.XX	±0.15							
X.XXX	±0.10							
DIM	TOL	①	Add tape reel packing on page 2	22.04.2014	Amy			
		②	Drawn	27.05.2013	Amy			
Angle	±5°	Id.	Modification	Date	Name	Replace		SHEET 1 / 2

Customer-No.
 ASSMANN WSW-No.
A-2004-2-X-LP/SMT

Drawing-No.
ASS 5696 CO rev01
 SHEET 1 / 2

1

2

3

4

5

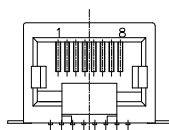
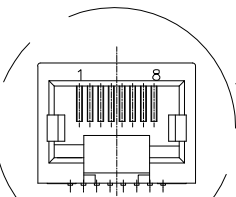
6

7

A

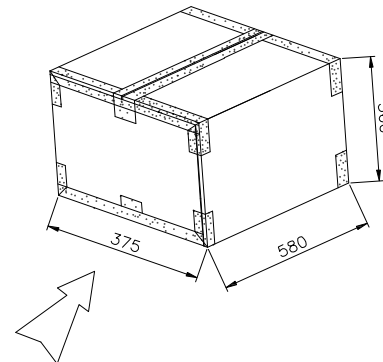
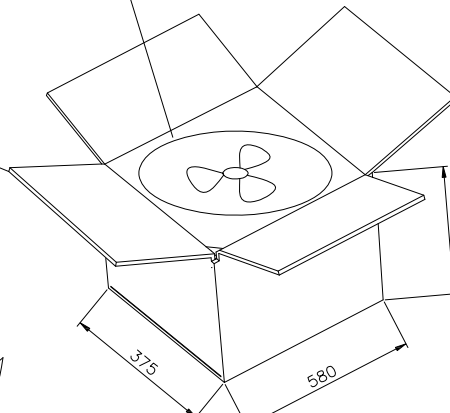
A

1.PRODUCT 1PCS



1.SIDE ENTRY SMT 8P8C JACK
150 PCS/REEL
1500PCS/CARTON

2.CARTON



B

B

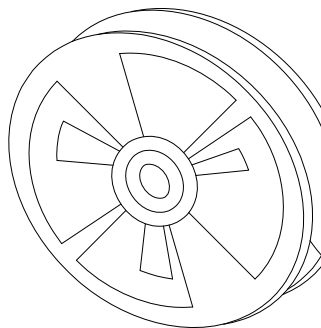
C

C

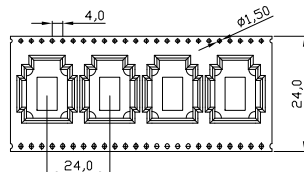
D

D

3.TAPE REEL



Keep each 5pcs blank
on front and tail



E

E

F

F

RoHS compliant
Unit:mm

Scale	Free						Date	Name	Customer-No.	
TOLERANCE						Drawn	27.05.2013	Amy	ASSMANN WSW-No. A-2004-2-X-LP/SMT	
X.X	±0.20					Approved	22.04.2014	Amy		
X.XX	±0.15									
X.XXX	±0.10									
DIM	TOL	①	Add tape reel packing on page 2	22.04.2014	Amy	ASSMANN WSW components			Drawing-No.	
		②	Drawn	27.05.2013	Amy				ASS 5696 CO	rev01
Angle	±5°	Id.	Modification	Date	Name				Replace	SHEET 2 / 2

G

G

H

H

1

2

3

4

5

6

7