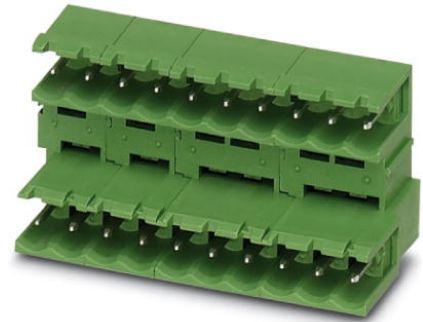


MDSTB 2,5/ 2-G

Order No.: 1762046

The figure shows a 10-position version of the product

<http://eshop.phoenixcontact.de/phoenix/treeViewClick.do?UID=1762046>Header, Nominal current: 10 A, Nom. voltage: 250 V, Pitch: 5 mm,
Number of positions: 2, Color: green, Assembly: Soldering

Commercial data

EAN	4017918030964
Pack	50 pcs.
Customs tariff	85366990
Weight/Piece	0.00345 KG
Catalog page information	Page 258 (CC-2009)

Product notes

WEEE/RoHS-compliant since:
01/01/2003

<http://www.download.phoenixcontact.com>
Please note that the data given here has been taken from the online catalog. For comprehensive information and data, please refer to the user documentation. The General Terms and Conditions of Use apply to Internet downloads.

Technical data

Dimensions / positions

Pitch	5 mm
Dimension a	5 mm
Number of positions	2
Pin dimensions	1 x 1 mm
Hole diameter	1.4 mm

Technical data

Insulating material group	I
Rated surge voltage (III/3)	4 kV
Rated surge voltage (III/2)	4 kV
Rated surge voltage (II/2)	4 kV
Rated voltage (III/2)	320 V
Rated voltage (II/2)	400 V
Connection in acc. with standard	EN-VDE
Nominal current I_N	10 A
Nominal voltage U_N	250 V
Maximum load current	10 A
Insulating material	PBT
Inflammability class acc. to UL 94	V0

Certificates / Approvals



Certification CB, CSA, CUL, GOST, UL, VDE-PZI

CSA

Nominal voltage U_N	300 V
Nominal current I_N	10 A

CUL

Nominal voltage U_N	300 V
Nominal current I_N	10 A

UL

Nominal voltage U_N	300 V
Nominal current I_N	10 A

Accessories

Item	Designation	Description
------	-------------	-------------

Assembly

1806588	MDSTB 2,5-AS	Ejectors, for assembly on each side of the header
---------	--------------	---

1786679	MDSTB-SE	Side element, for lateral sealing of MSTB headers, 2.54 mm thick, color: green
1755477	MSTB-BL	Keying cap, for forming sections, plugs onto header pin, green insulating material

General

1736771	MDSTB 2,5/ 2-GFL-5,08	Header, Nominal current: 10 A, Nom. voltage: 250 V, Pitch: 5.08 mm, Number of positions: 2, Color: green, Assembly: Soldering
1736768	MDSTB 2,5/ 2-GFR-5,08	Header, Nominal current: 10 A, Nom. voltage: 250 V, Pitch: 5.08 mm, Number of positions: 2, Color: green, Assembly: Soldering

Marking

0804183	SK 5/3,8:FORTL.ZAHLEN	Marker card, printed horizontally, self-adhesive, 12 identical decades marked 1-10, 11-20 etc. up to 91-(99)100, sufficient for 120 terminal blocks
---------	-----------------------	---

Plug/Adapter

1734401	CR-MSTB	Coding section, inserted into the recess in the header or the inverted plug, red insulating material
---------	---------	--

Additional products

Item	Designation	Description
Assembly		
1909210	FKCT 2,5/ 2-ST	Plug component, Nominal current: 12 A, Nom. voltage: 250 V, Pitch: 5 mm, Number of positions: 2, Connection type: Spring-cage conn., Color: green

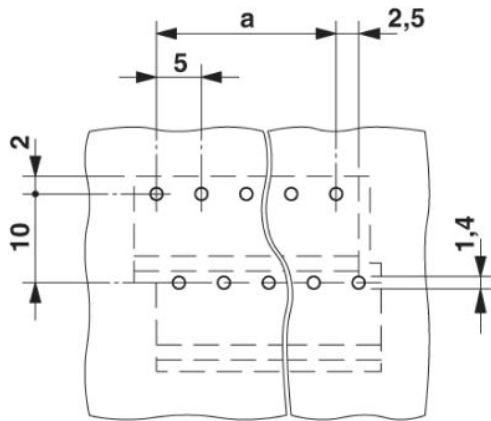
General

1910351	FKC 2,5/ 2-ST	Plug component, Nominal current: 12 A, Nom. voltage: 250 V, Pitch: 5 mm, Number of positions: 2, Connection type: Spring-cage conn., Color: green
1910526	FKC 2,5/ 2-STF	Plug component, Nominal current: 12 A, Nom. voltage: 250 V, Pitch: 5 mm, Number of positions: 2, Connection type: Spring-cage conn., Color: green
1909401	FKCT 2,5/ 2-STF	Plug component, Nominal current: 12 A, Nom. voltage: 250 V, Pitch: 5 mm, Number of positions: 2, Connection type: Spring-cage conn., Color: green
1909715	FKCVR 2,5/ 2-ST	Plug component, Nominal current: 12 A, Nom. voltage: 250 V, Pitch: 5 mm, Number of positions: 2, Connection type: Spring-cage conn., Color: green
1909883	FKCVR 2,5/ 2-STF	Plug component, Nominal current: 12 A, Nom. voltage: 250 V, Pitch: 5 mm, Number of positions: 2, Connection type: Spring-cage conn., Color: green

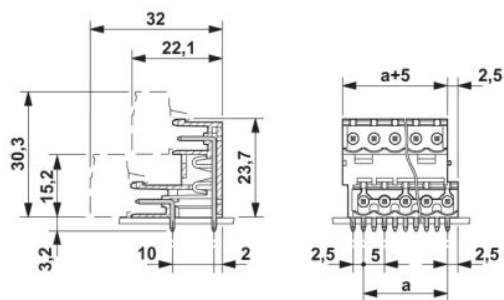
1910034	FKCVW 2,5/ 2-ST	Plug component, Nominal current: 12 A, Nom. voltage: 250 V, Pitch: 5 mm, Number of positions: 2, Connection type: Spring-cage conn.
1910209	FKCVW 2,5/ 2-STF	Plug component, Nominal current: 12 A, Nom. voltage: 250 V, Pitch: 5 mm, Number of positions: 2, Connection type: Spring-cage conn.
1779411	FRONT-MSTB 2,5/ 2-ST	Plug component, Nominal current: 12 A, Nom. voltage: 250 V, Pitch: 5 mm, Number of positions: 2, Connection type: Screw connection, Color: green
1779644	FRONT-MSTB 2,5/ 2-STF	Plug component, Nominal current: 12 A, Nom. voltage: 250 V, Pitch: 5 mm, Number of positions: 2, Connection type: Screw connection, Color: green
1754449	MSTB 2,5/ 2-ST	Plug component, Nominal current: 12 A, Nom. voltage: 250 V, Pitch: 5 mm, Number of positions: 2, Connection type: Screw connection, Color: green
1786831	MSTB 2,5/ 2-STF	Plug component, Nominal current: 12 A, Nom. voltage: 250 V, Pitch: 5 mm, Number of positions: 2, Connection type: Screw connection, Color: green
1765771	MSTBP 2,5/ 2-ST	Plug component, Nominal current: 12 A, Nom. voltage: 250 V, Pitch: 5 mm, Number of positions: 2, Connection type: Screw connection, Color: green
1779835	MSTBT 2,5/ 2-ST	Plug component, Nominal current: 12 A, Nom. voltage: 250 V, Pitch: 5 mm, Number of positions: 2, Connection type: Screw connection, Color: green
1792016	MVSTBR 2,5/ 2-ST	Plug component, Nominal current: 12 A, Nom. voltage: 250 V, Pitch: 5 mm, Number of positions: 2, Connection type: Screw connection, Color: green
1835478	MVSTBR 2,5/ 2-STF	Plug component, Nominal current: 12 A, Nom. voltage: 250 V, Pitch: 5 mm, Number of positions: 2, Connection type: Screw connection, Color: green
1792524	MVSTBW 2,5/ 2-ST	Plug component, Nominal current: 12 A, Nom. voltage: 250 V, Pitch: 5 mm, Number of positions: 2, Connection type: Screw connection, Color: green
1835287	MVSTBW 2,5/ 2-STF	Plug component, Nominal current: 12 A, Nom. voltage: 250 V, Pitch: 5 mm, Number of positions: 2, Connection type: Screw connection, Color: green
1768765	SMSTB 2,5/ 2-ST	Plug component, Nominal current: 12 A, Nom. voltage: 250 V, Pitch: 5 mm, Number of positions: 2, Connection type: Screw connection, Color: green

Diagrams/Drawings

Drilling plan/solder pad geometry



Dimensioned drawing



Address

PHOENIX CONTACT Inc., USA
586 Fulling Mill Road
Middletown, PA 17057, USA
Phone (800) 888-7388
Fax (717) 944-1625
<http://www.phoenixcon.com>



© 2010 Phoenix Contact
Technical modifications reserved;