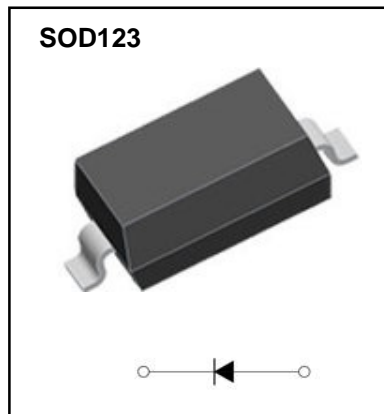


SOD123 Plastic-Encapsulate Diodes

Schottky Rectifier

Features

- Small Current Rectification
- Low Voltage



Marking

- 73

Limiting Values (Absolute Maximum Rating)

Symbol	Parameter	Value	Unit
V_R	DC Blocking Voltage	30	V
I_o	Forward Current	1	A
I_{FSM}	Non-repetitive Peak Forward Surge Current @t=8.3ms	15	
P_D	Power Dissipation	450	mW
$R_{\theta JA}$	Thermal Resistance from Junction to Ambient	222	°C/W
T_j	Junction Temperature	125	°C
T_{stg}	Storage Temperature	-55~+150	°C

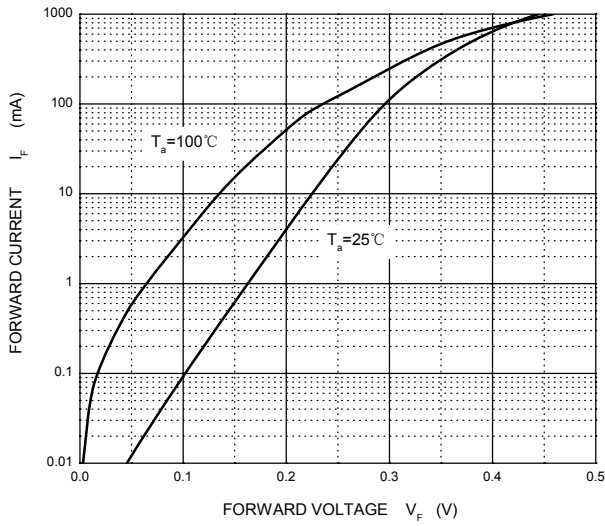
Electrical Characteristics ($T_a=25^\circ\text{C}$ Unless otherwise specified)

Parameter	Symbol	Test conditions	Min	Typ	Max	Unit
Reverse current	I_R	$V_R=15\text{V}$			20	μA
		$V_R=30\text{V}$			50	μA
Forward voltage	$V_{F(1)}$	$I_F=500\text{mA}$			0.46	V
	$V_{F(2)}^*$	$I_F=1000\text{mA}$			0.48	

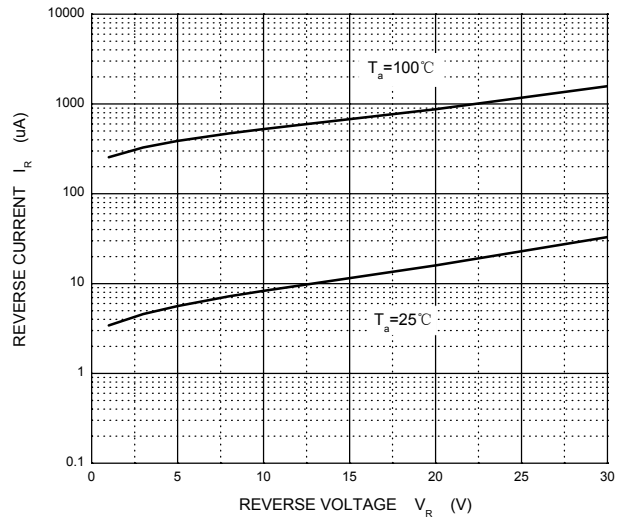
* Pulse test

Typical Characteristics

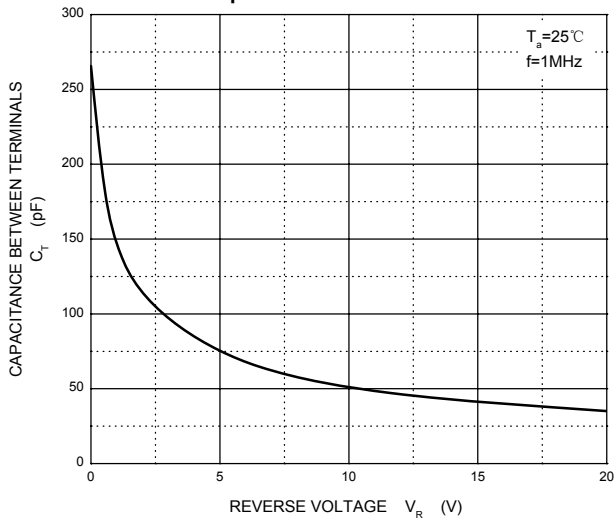
Forward Characteristics



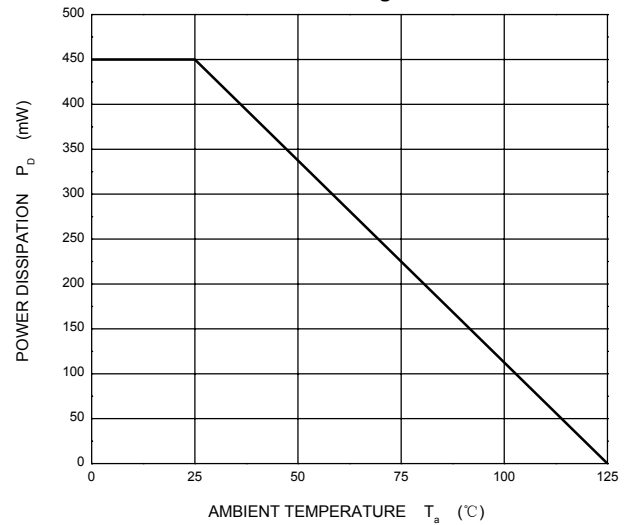
Reverse Characteristics



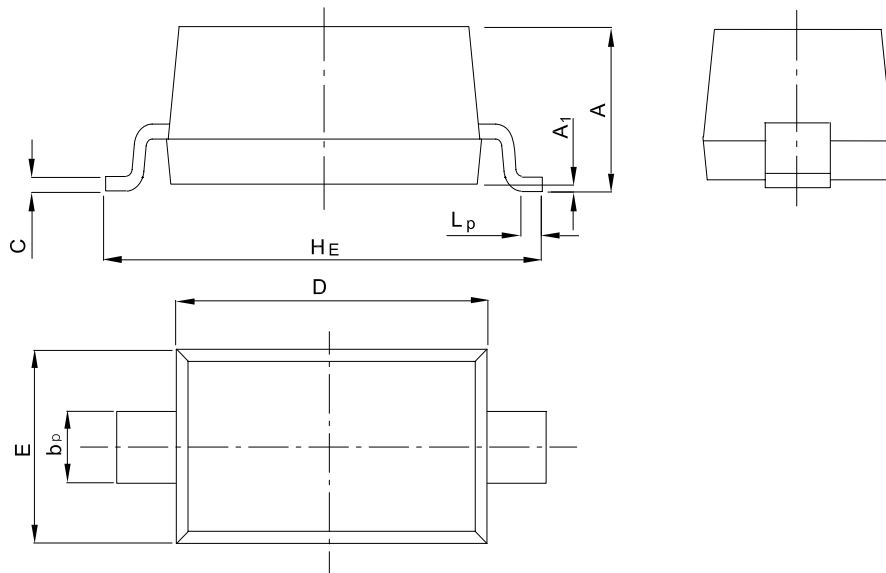
Capacitance Characteristics



Power Derating Curve

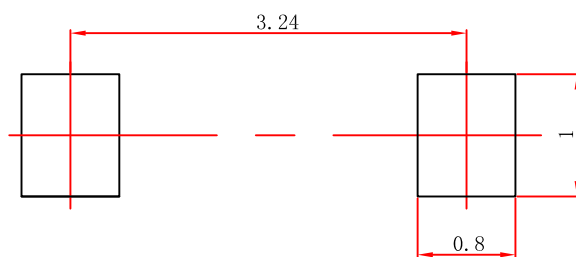


SOD-123 Package Outline Dimensions



UNIT	A	b _p	C	D	E	H _E	A ₁	L _p
mm	1.20 0.90	0.60 0.50	0.135 0.100	2.75 2.55	1.65 1.55	3.85 3.55	0.10 0.01	0.50 0.20

SOD-123 Suggested Pad Layout



Note:

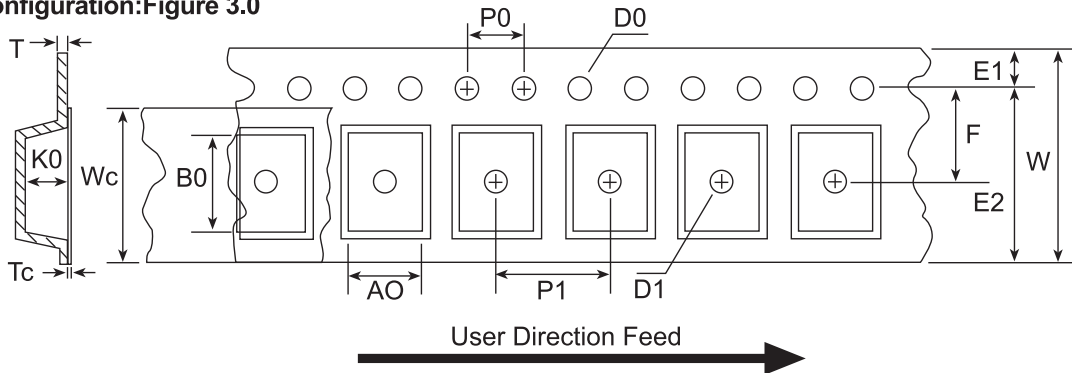
1. Controlling dimension: in millimeters.
2. General tolerance: ± 0.05 mm.
3. The pad layout is for reference purposes only.

NOTICE

JSKD reserve the right to make modifications, enhancements, improvements, corrections or other changes without further notice to any product herein. JSKD does not assume any liability arising out of the application or use of any product described herein.

Reel Taping Specifications For Surface Mount Devices-SOD123

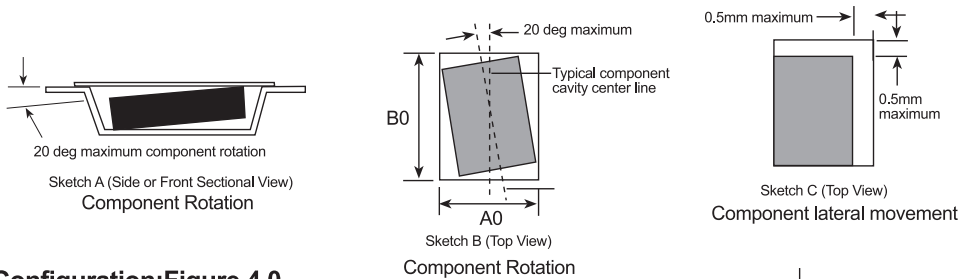
SOD123 Embossed Carrier Tape Configuration: Figure 3.0



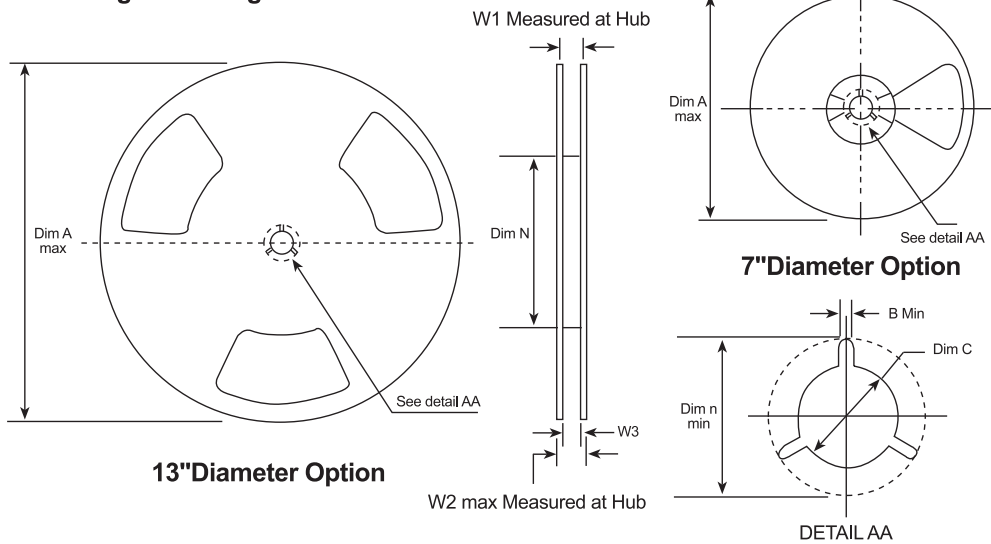
Dimensions are millimeter

Pkg type	A0	B0	W	D0	D1	E1	E2	F	P1	P0	K0	T	Wc	Tc
SOD123 (8mm)	1.85 +/-0.10	3.94 +/-0.10	8.0 +/-0.3	1.50 +/-0.125	1.125 +/-0.125	1.75 +/-0.10	6.25 min	3.50 +/-0.05	4.0 +/-0.10	4.0 +/-0.10	1.50 +/-0.10	0.20 +/-0.020	5.2 +/-0.20	0.06 +/-0.02

Notes: A0, B0 and K0 dimensions are determined with respect to the EW Jeced RS-481 rotational and lateral movement requirements (see sketches A, B and C).



SOD123 Reel Configuration: Figure 4.0



Dimensions are in inches and millimeter

Type Size	Reel Option	Dim A	Dim B	Dim C	Dim D	Dim N	Dim W1	Dim W2	Dim W3 (LSL-USL)
8mm	7" Dia	7.00 177.8	0.059 1.5	512+0.020/-0.008 13+0.5/-0.2	0.795 20.0	2.165 55	0.331+0.059/-0.000 8.4+1.5/0	0.567 14.4	0.311-0.429 7.9-10.9
8mm	13" Dia	13.00 330	0.059 1.5	512+0.020/-0.008 13+0.5/-0.2	0.795 20.0	4.00 100	0.331+0.059/-0.000 8.4+1.5/0	0.567 14.4	0.311-0.429 7.9-10.9