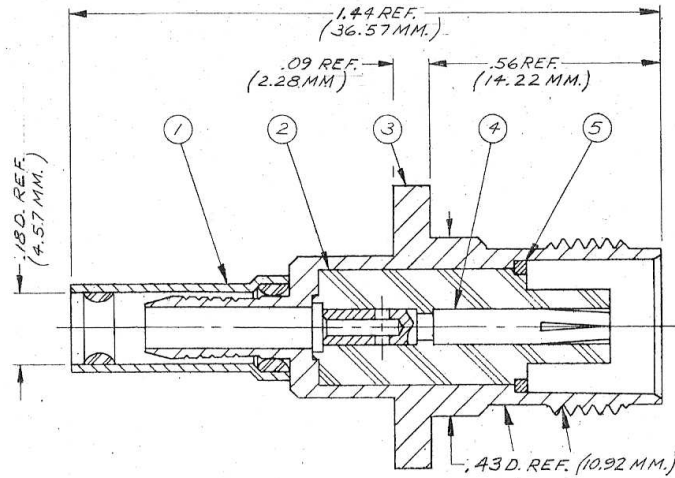


| | | |
|----------|--------|-----------|
| DASH NO. | M CODE | MADE FROM |
|----------|--------|-----------|

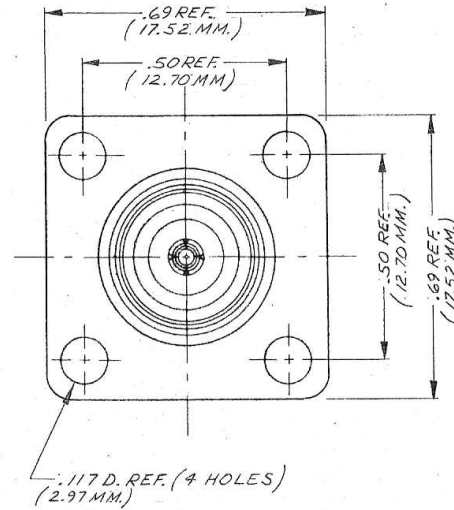


STAMP: KINGS KA-19-198-M06

7/16-28 UNEF-2A THREAD

NOTES:

1. FOR USE WITH RAYCHEM 5021K1011 CABLE.
2. FOR CABLE TRIMMING USE KTJ-153 & KTD-161
3. FOR CRIMPING USE DIE SIZE 128.
4. FOR CABLING INSTRUCTIONS SEE CP 5401.
5. ITEMS ①, ③ & ⑤ TO HAVE A TR-5 FINISH.
6. MARK PACKAGE: KINGS KA-19-198-M06
XXXX (DATE CODE)



MAX. WEIGHT
14 GRAMS

UNLESS OTHERWISE SPECIFIED:
 1. TOLERANCES: FRACTIONS & 2 PLACE DECIMALS ± .010
 3 PLACE DECIMALS ± .004 ANGLES ± 0°30'
 T. I. R. CONCENTRICITY OF ANY 2 DIAMETERS MAY NOT EXCEED HALF THE SUM OF THEIR TOLERANCES.

2. REMOVE ALL BURRS, BREAK SHARP EDGES .005 MAX.
3. NO FILLETS PERMITTED.
4. SURFACE ROUGHNESS 83 MICROINCHES RMS MAX.
5. ALL DIMENSIONS PRIOR TO PLATING.
6. ALL PLATING IN ACCORDANCE WITH KER 10004.

KA-19-198-M06
S-D

| REVISIONS | |
|-----------|----------------------------|
| ISSUE | CHANGES |
| 0 | ER 21997 PAS 26 MAY 81 |
| 1 | CN 29323 C AMD 20OCT 87 |
| 2 | CT 31044 C JCA 9 AUG 89 |

| | |
|----------------------|-------------|
| SCALE | 4:1 |
| APPROX. SURFACE AREA | |
| USED ON | |
| REF. | BOEING |
| TNC PANEL JACK | |
| DRAWN | KDP |
| DATE | 3 FEB 81 |
| APPR. | [Signature] |
| DATE | 6 FEB 81 |

KINGS
ELECTRONICS CO., INC.
LACKAWANNA, NEW YORK 10701

KA-19-198-M06

S-D