

Voltage type voltage transformer



Model:TV600GB-2K

Characteristics:

Plate type mounting. Used for voltage sampling, relay Protection, display instrument driver.

Technical index:

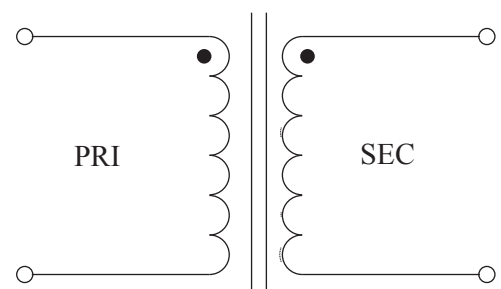
- Mounting type: Plate type
- Flame resistance: UL94-V0
- Execution standard: GB1208-2006
- Operating temperature: $-35^{\circ}\text{C} \sim +85^{\circ}\text{C}$
- Storage temperature: $-45^{\circ}\text{C} \sim +95^{\circ}\text{C}$
- Frequency range: 50Hz-1KHz
- Dielectric strength: 20KV 50Hz 1min (Secondary/Primary)



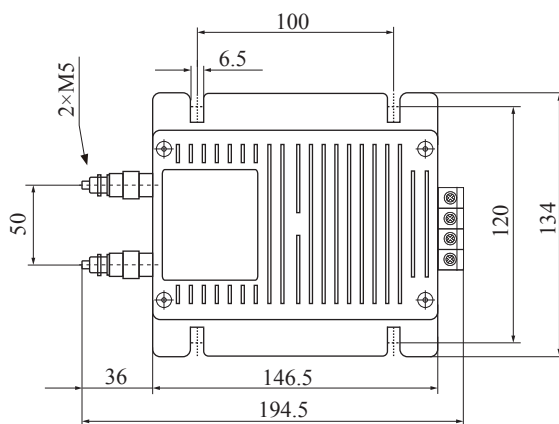
Electrical parameters:

Rated input	2000	V
Max. input	2000	V
Rated output		V
Turns ratio	Can be customized according to demand	
Accuracy	± 1	%
Linearity	≤ 0.5	%
Phase difference	$\leq 30'$	
sampling resistance		Ω
Weight		g

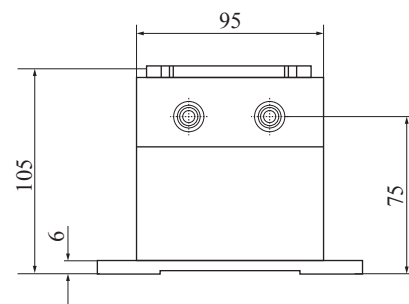
Schematic diagram:



Dimensions (in mm) :



Top view



Side view