

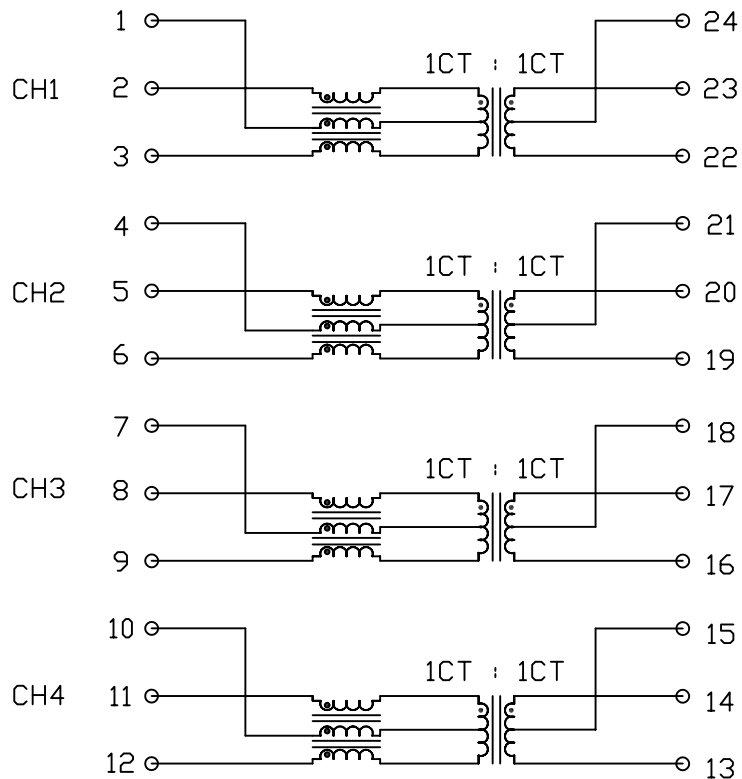
THE INFORMATION CONTAINED HEREIN IS CONSIDERED 'PROPRIETARY' TO BEL FUSE INC. AND SHALL NOT BE COPIED, REPRODUCED OR DISCLOSED WITHOUT THE WRITTEN APPROVAL OF BEL FUSE INC.

PRELIMINARY



ELECTRICAL SPECIFICATION @25°C

SCHEMATIC



URNS RATIO

(2-1-3) : (23-24-22) 1CT : 1CT  
 (5-4-6) : (20-21-19) 1CT : 1CT  
 (8-7-9) : (17-18-16) 1CT : 1CT  
 (11-10-12) : (14-15-13) 1CT : 1CT

POLARITY

CH1, CH2 2°&23°, 5°&20°  
 CH3, CH4 8°&17°, 11°&14°

HIPOT

1500Vrms

INSERTION LOSS

|            |     |      |     |     |     |
|------------|-----|------|-----|-----|-----|
| FREQ.(MHz) | 1   | 2-50 | 200 | 400 | 500 |
| dB MAX     | 1.0 | 0.5  | 1.0 | 2.0 | 3.0 |

RETURN LOSS

|            |    |       |     |     |     |
|------------|----|-------|-----|-----|-----|
| FREQ.(MHz) | 1  | 2-100 | 200 | 400 | 500 |
| dB MIN     | 22 | 20    | 16  | 10  | 8   |

CM TO DM

REJECTION RATIO

|            |    |     |     |     |     |     |
|------------|----|-----|-----|-----|-----|-----|
| FREQ.(MHz) | 50 | 100 | 200 | 300 | 400 | 500 |
| dB MIN     | 48 | 42  | 36  | 33  | 30  | 28  |

CM TO CM

REJECTION RATIO

|            |    |     |     |     |     |     |
|------------|----|-----|-----|-----|-----|-----|
| FREQ.(MHz) | 50 | 100 | 200 | 300 | 400 | 500 |
| dB MIN     | 30 | 24  | 23  | 22  | 21  | 20  |

|               |          |                          |
|---------------|----------|--------------------------|
| ORIGINATED BY | DATE     | TITLE                    |
| CHAN CH       | 02-26-09 | ELECTRICAL SPECIFICATION |
| DRAWN BY      | DATE     |                          |
| YH Lai        | 02-26-09 |                          |

|                        |               |                              |
|------------------------|---------------|------------------------------|
| PART NO. / DRAWING NO. | STANDARD DIM. | [ ] METRIC DIM. AS REFERENCE |
| S558-10GB-06           | TOL. IN INCH  | UNIT : INCH [mm]             |
| FILE NAME              | .X            | REV. : PB                    |
| S55810GB06PB.DWG       | .XX           | SCALE : N/A                  |
|                        | .XXX          | SIZE : A4                    |
|                        |               | PAGE : 2                     |

|               |                              |
|---------------|------------------------------|
| STANDARD DIM. | [ ] METRIC DIM. AS REFERENCE |
| TOL. IN INCH  | UNIT : INCH [mm]             |
| .X            | REV. : PB                    |
| .XX           | SCALE : N/A                  |
| .XXX          | SIZE : A4                    |
|               | PAGE : 2                     |

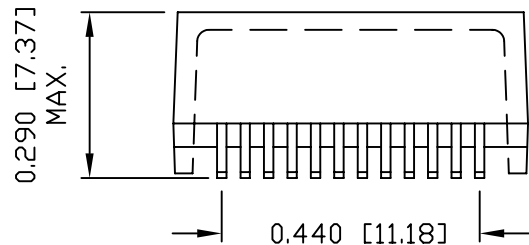
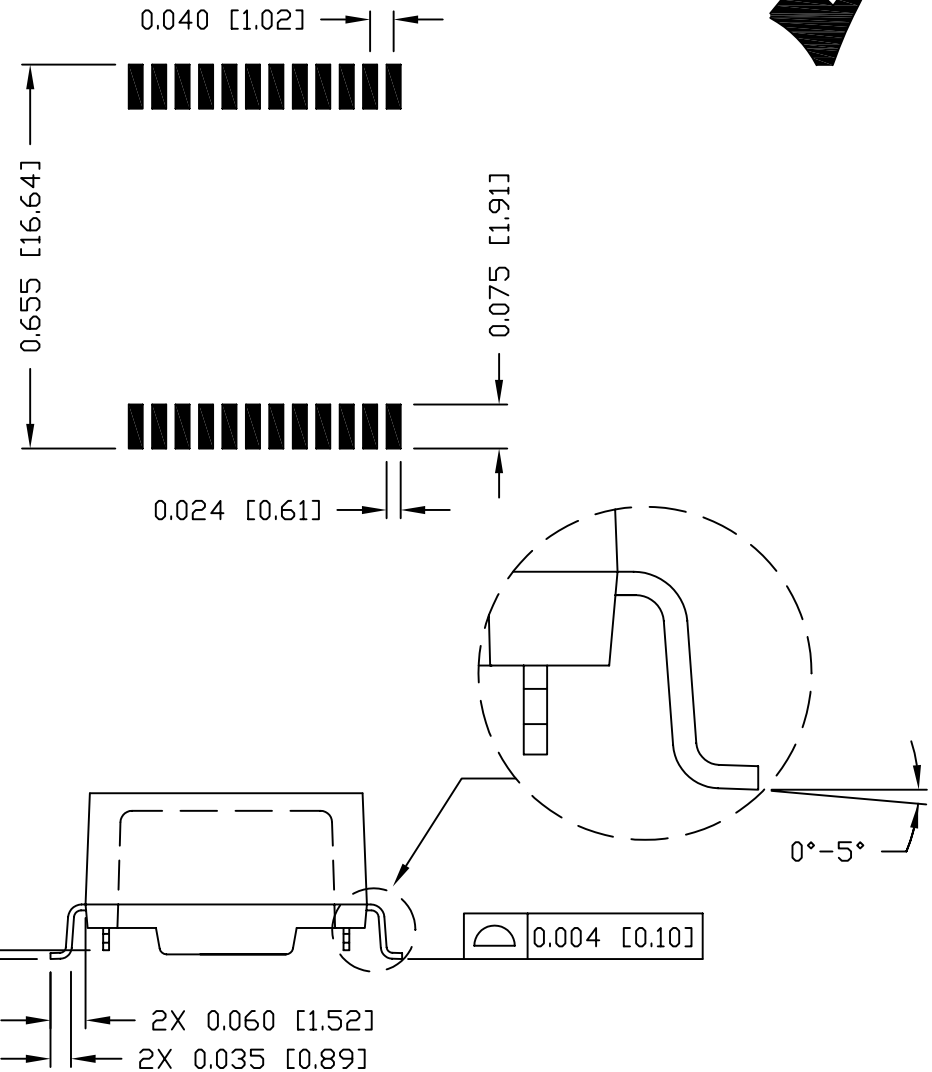
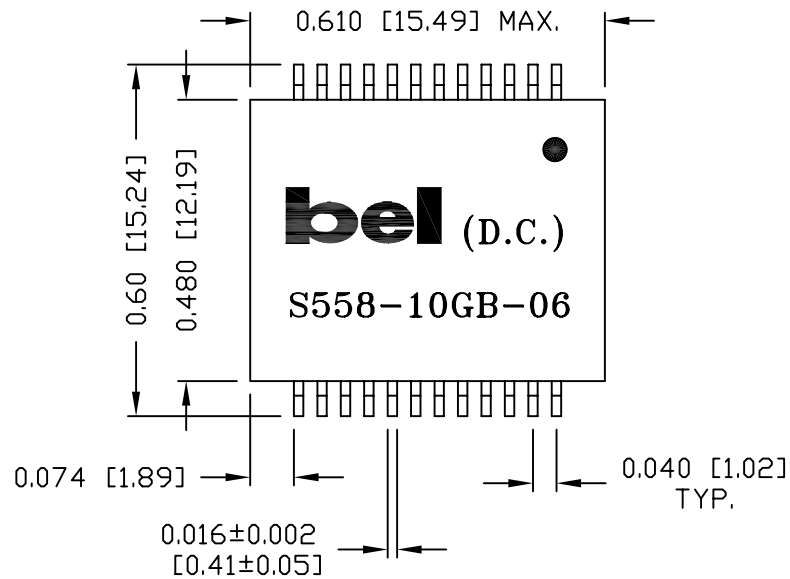
|               |                              |
|---------------|------------------------------|
| STANDARD DIM. | [ ] METRIC DIM. AS REFERENCE |
| TOL. IN INCH  | UNIT : INCH [mm]             |
| .X            | REV. : PB                    |
| .XX           | SCALE : N/A                  |
| .XXX          | SIZE : A4                    |
|               | PAGE : 2                     |



THE INFORMATION CONTAINED HEREIN IS CONSIDERED "PROPRIETARY" TO BEL FUSE INC. AND SHALL NOT BE COPIED, REPRODUCED OR DISCLOSED WITHOUT THE WRITTEN APPROVAL OF BEL FUSE INC.

PRELIMINARY

SUGGESTED PCB PAD LAYOUT



NOTES:

- STANDARD MARKING REFER TO DOC. HAND-WORK-04.
- PACKAGE CODE: "QABS001".

|                |          |                    |                        |                            |                              |
|----------------|----------|--------------------|------------------------|----------------------------|------------------------------|
| ORIGINATED BY  | DATE     | TITLE              | PART NO. / DRAWING NO. | STANDARD DIM. TOL. IN INCH | [ ] METRIC DIM. AS REFERENCE |
| LAWRENCE TSANG | 02-26-09 | MECHANICAL OUTLINE | S558-10GB-06           | .X                         | UNIT : INCH [mm]             |
| DRAWN BY       | DATE     |                    | FILE NAME              | .XX ±0.01                  | SCALE : N/A                  |
| YH Lai         | 02-26-09 |                    | S55810GB06PB.DWG       | .XXX ±0.005                | REV. : PB                    |
|                |          |                    |                        |                            | SIZE : A4                    |
|                |          |                    |                        |                            | PAGE : 3                     |

