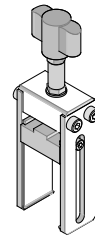


**Impact™  
Mezzanine 100 Ohm  
Vertical Header  
Removal Tool**



**Application Tooling  
Specification Sheet**



**Order No. 62100-2170**

**FEATURES**

- Used in the removal of the Impact™ Mezzanine 100 Ohm Vertical Header Assembly from a PCB
- Removes header assemblies from the PCB without damage to the board

**SCOPE**

Products: Impact™ Mezzanine 100 Ohm Vertical Header 28, 38, and 40mm and Stack height (5-Pair Assemblies). See Product List below for specific application tools.

**Product List**

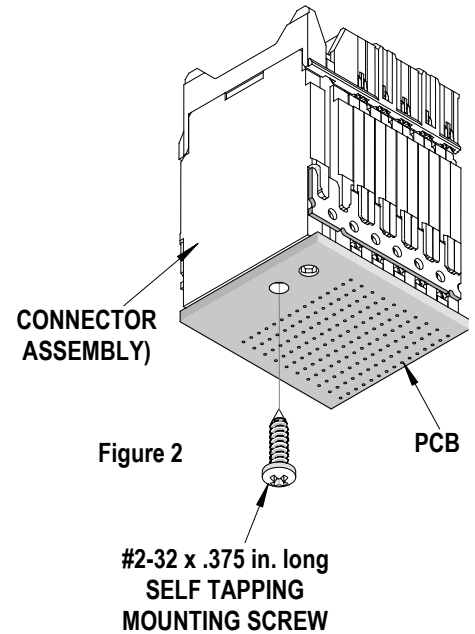
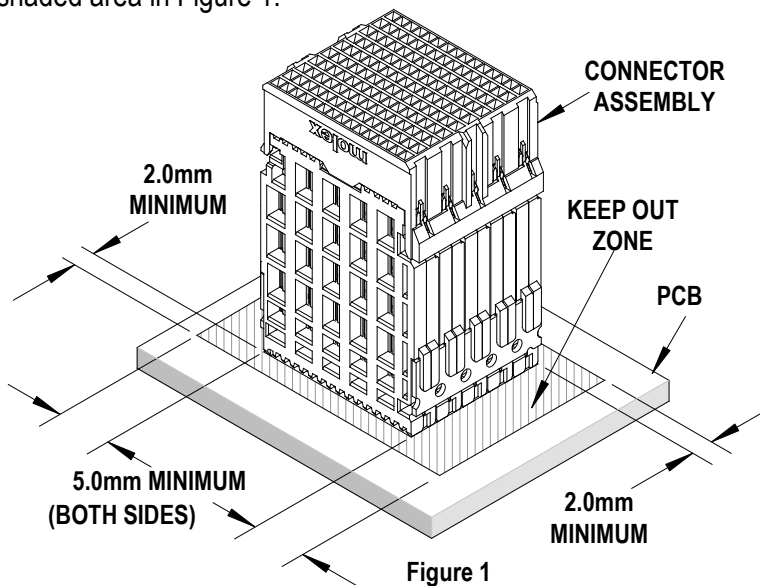
The following is a partial list of the product order numbers and their specifications this tool is designed to run. Updates to this list are available on [www.molex.com](http://www.molex.com).

Header Series No.	Guide Style	Stack Height	Assembly Order Number					
76530	Unguided	28mm	76530-0020	76530-0022	76530-0026	76530-0027	76530-1020	76530-1022
			76530-1026	76530-1027				
		38mm	76530-0030	76530-0032	76530-0036	76530-0037	76530-1030	76530-1032
			76530-1036	76530-1037				
		40mm	76530-0040	76530-0042	76530-0046	76530-0047	76530-1040	76530-1042
			76530-1046	76530-1047				
	Left	38mm	76530-2030	76530-2032	76530-2036	76530-2037	76530-2130	76530-2132
			76530-2136	76530-2137	76530-2230	76530-2232	76530-2236	76530-2237
			76530-2330	76530-2332	76530-2336	76530-2337	76530-2430	76530-2432
			76530-2436	76530-2437	76530-2530	76530-2532	76530-2536	76530-2537
			76530-2630	76530-2632	76530-2636	76530-2637	76530-2730	76530-2732
			76530-2736	76530-2737	76530-2830	76530-2832	76530-2836	76530-2837
			76530-3030	76530-3032	76530-3036	76530-3037	76530-3130	76530-3132
			76530-3136	76530-3137	76530-3230	76530-3232	76530-3236	76530-3237
			76530-3330	76530-3332	76530-3336	76530-3337	76530-3346	76530-3347
			76530-3430	76530-3432	76530-3436	76530-3437	76530-3530	76530-3532
			76530-3536	76530-3537	76530-3630	76530-3632	76530-3636	76530-3637
			76530-3730	76530-3732	76530-3736	76530-3737	76530-3830	76530-3832
		76530-3836	76530-3837					
		40mm	76530-2040	76530-2042	76530-2046	76530-2047	76530-2140	76530-2142
			76530-2146	76530-2147	76530-2240	76530-2242	76530-2246	76530-2247
			76530-2340	76530-2342	76530-2346	76530-2347	76530-2440	76530-2442
			76530-2446	76530-2447	76530-2540	76530-2542	76530-2546	76530-2547
			76530-2640	76530-2642	76530-2646	76530-2647	76530-2740	76530-2742
	76530-2746		76530-2747	76530-2840	76530-2842	76530-2846	76530-2847	
	76530-3040		76530-3042	76530-3046	76530-3047	76530-3140	76530-3142	
	76530-3146		76530-3147	76530-3240	76530-3242	76530-3246	76530-3247	
	76530-3340	76530-3342	76530-3430	76530-3432	76530-3436	76530-3437		

76530	Left	40mm	76530-3440	76530-3442	76530-3446	76530-3447	76530-3540	76530-3542
			76530-3546	76530-3547	76530-3640	76530-3642	76530-3646	76530-3647
			76530-3740	76530-3742	76530-3746	76530-3747	76530-3840	76530-3842
			76530-3846	76530-3847				
	Right	38mm	76530-4030	76530-4032	76530-4036	76530-4037	76530-4130	76530-4132
			76530-4136	76530-4137	76530-4230	76530-4232	76530-4236	76530-4237
			76530-4330	76530-4332	76530-4336	76530-4337	76530-4430	76530-4432
			76530-4436	76530-4437	76530-4530	76530-4532	76530-4536	76530-4537
			76530-4630	76530-4632	76530-4636	76530-4637	76530-4730	76530-4732
			76530-4736	76530-4737	76530-4830	76530-4832	76530-4836	76530-4837
			76530-5030	76530-5032	76530-5036	76530-5037	76530-5130	76530-5132
			76530-5136	76530-5137	76530-5230	76530-5232	76530-5236	76530-5237
			76530-5330	76530-5332	76530-5336	76530-5337	76530-5430	76530-5432
			76530-5436	76530-5437	76530-5530	76530-5532	76530-5536	76530-5537
		40mm	76530-5630	76530-5632	76530-5636	76530-5637	76530-5730	76530-5732
			76530-5736	76530-5737	76530-5830	76530-5832	76530-5836	76530-5837
			76530-4040	76530-4042	76530-4046	76530-4047	76530-4140	76530-4142
			76530-4146	76530-4147	76530-4240	76530-4242	76530-4246	76530-4247
			76530-4340	76530-4342	76530-4346	76530-4347	76530-4440	76530-4442
			76530-4446	76530-4447	76530-4540	76530-4542	76530-4546	76530-4547
			76530-4640	76530-4642	76530-4646	76530-4647	76530-4740	76530-4742
			76530-4746	76530-4747	76530-4840	76530-4842	76530-4846	76530-4847
			76530-5040	76530-5042	76530-5046	76530-5047	76530-5140	76530-5142
			76530-5146	76530-5147	76530-5240	76530-5242	76530-5246	76530-5247
	76530-5340	76530-5342	76530-5346	76530-5347	76530-5440	76530-5442		
	76530-5446	76530-5447	76530-5540	76530-5542	76530-5546	76530-5547		
	76530-5640	76530-5642	76530-5646	76530-5647	76530-5740	76530-5742		
	76530-5746	76530-5747	76530-5840	76530-5842	76530-5846	76530-5847		

### Tool Setup

The tooling arrangement in this removal tool is determined by the module and component placement on the PCB. There is a "Keep-Out Zone" that needs to be clear of the other components when using the extraction tool. See the shaded area in Figure 1.



**Warning: The #2-32 screw must be removed before removing the connector.**

The connector assembly is held to the printed circuit board with a #2-32 x .375 in. self tapping mounting screw. Before any removal operation is done, these #2-32 screw must be removed. See Figure 2.

**DESCRIPTION**

The tool is used for removal of the Impact™ Mezzanine 100 Ohm Vertical Header Assemblies from a PCB. The principal parts of the terminal removal tool are shown in Figure 3.

**Operation**

**Note:** Be sure that all parts of the removal tool will clear any components on the printed circuit board during use. Tape may also be placed over circuit traces or on the bottom of the PC board Support Plate for added protection of the printed circuit board.

1. Turn the wing knob counter-clockwise (CCW) until the lifting fingers are exposed below the end supports. See Figure 4. (The stop screw will become disengaged from the lifting bar.)
2. Slide the lifting fingers down over the header assembly until the lifting fingers snap under the stiffeners on both sides of the header assembly. See Figure 4.

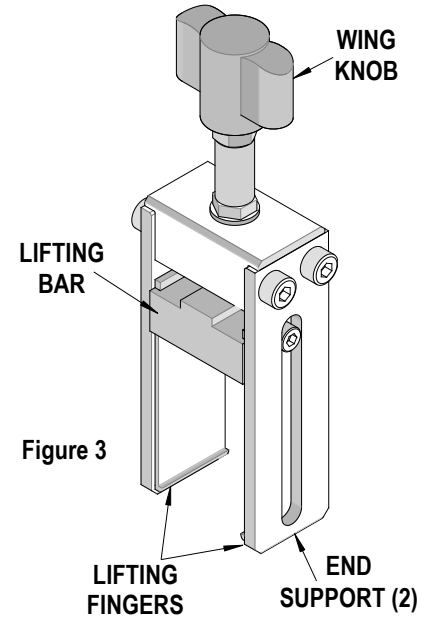


Figure 3

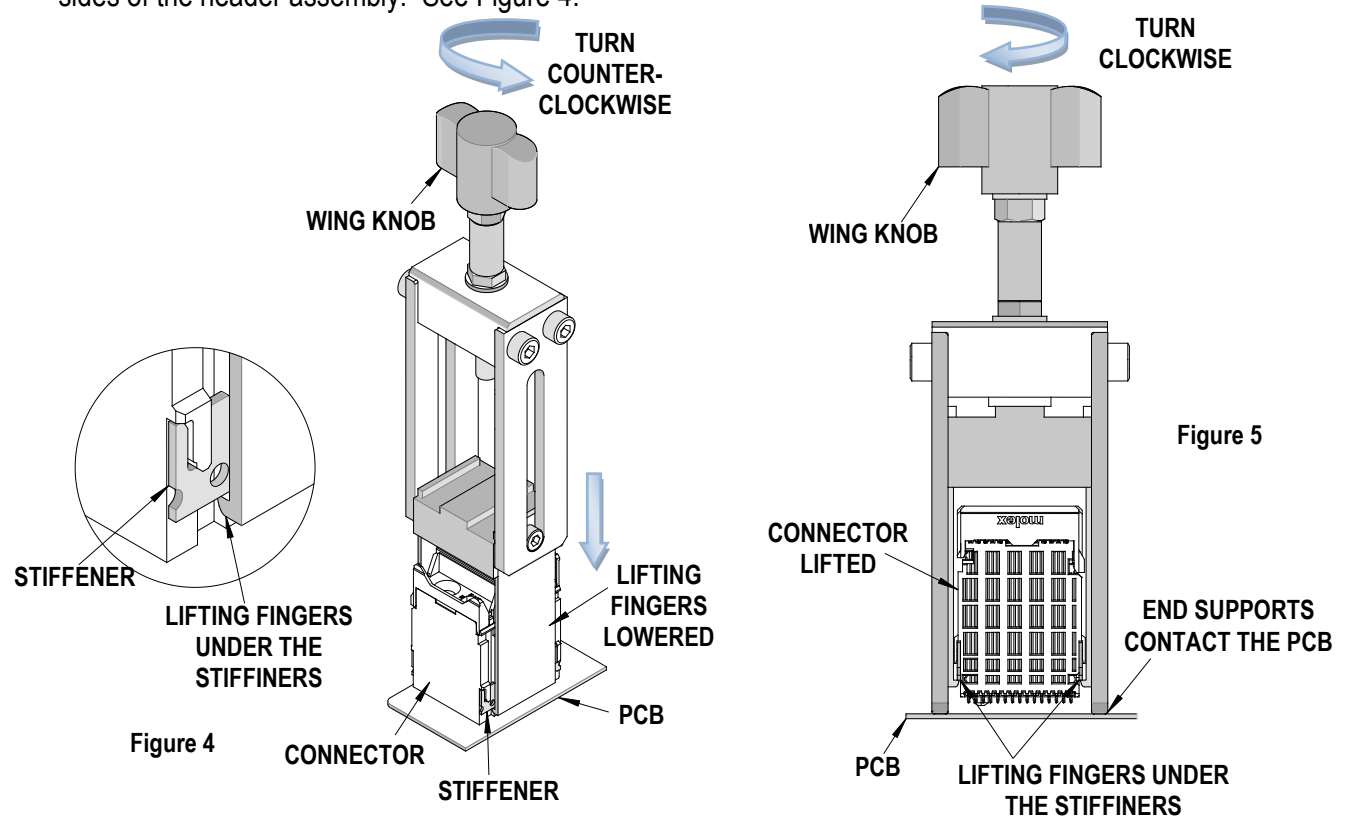


Figure 5

**Note:** The lifting fingers must snap under the stiffeners on each side of the header assembly so it can be lifted off the printed circuit board.

3. Lower the tool until the bottom of the end supports contact the printed circuit board surface.
4. Turn the Wing knob clockwise (CW) until the header assembly is removed from the PCB. See Figure 5.

**Note:** After removing the header assembly from the PCB, some terminals may remain in the board. This is not a tooling malfunction. A pair of needle nose pliers may be used to individually remove the terminals. Caution is required when using this method; if a terminal is incorrectly gripped or pulled away at an angle, it could break off inside the PCB hole. After terminals are pulled out of the PCB, they should be discarded. The PCB should be free of any contact debris.

5. With the removal tool away from the PCB, take the header assembly out of the tool by turning the wing knob counterclockwise until the lifting fingers are exposed. Pull the header assembly up slightly and slide it out of the side of the tool.

### **Maintenance**

It is recommended that each operator of the tool be made aware of, and responsible for, the following maintenance steps:

1. Remove dust, moisture, and other contaminants with a clean brush, or soft, lint free cloth.
2. Do not use any abrasive materials that could damage the tool.
3. Make certain all pins; pivot points and bearing surfaces are protected with a thin coat of high quality machine oil. Do not oil excessively.
4. When tool is not in use, store in a clean, dry area.

**CAUTION:** Molex specifications are valid only when used with Molex terminals, applicators and tooling.

Visit our Web site at <http://www.molex.com>