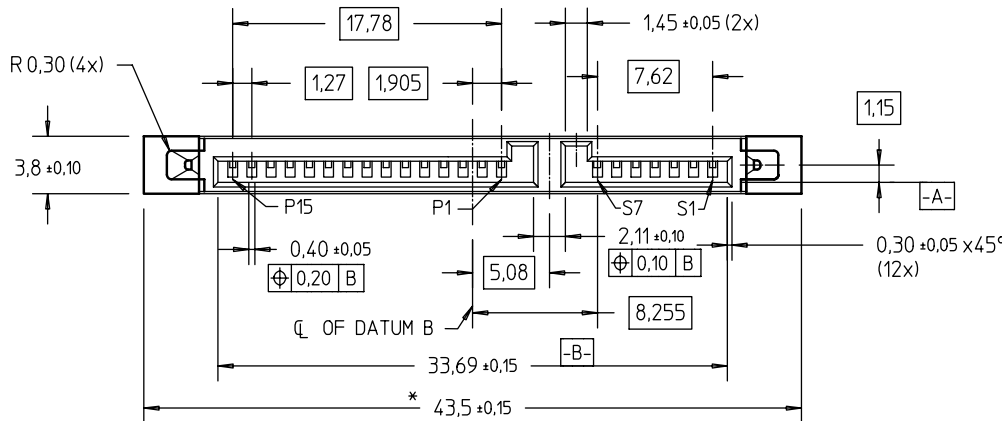
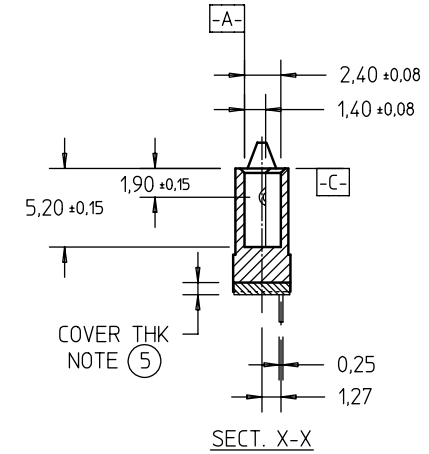
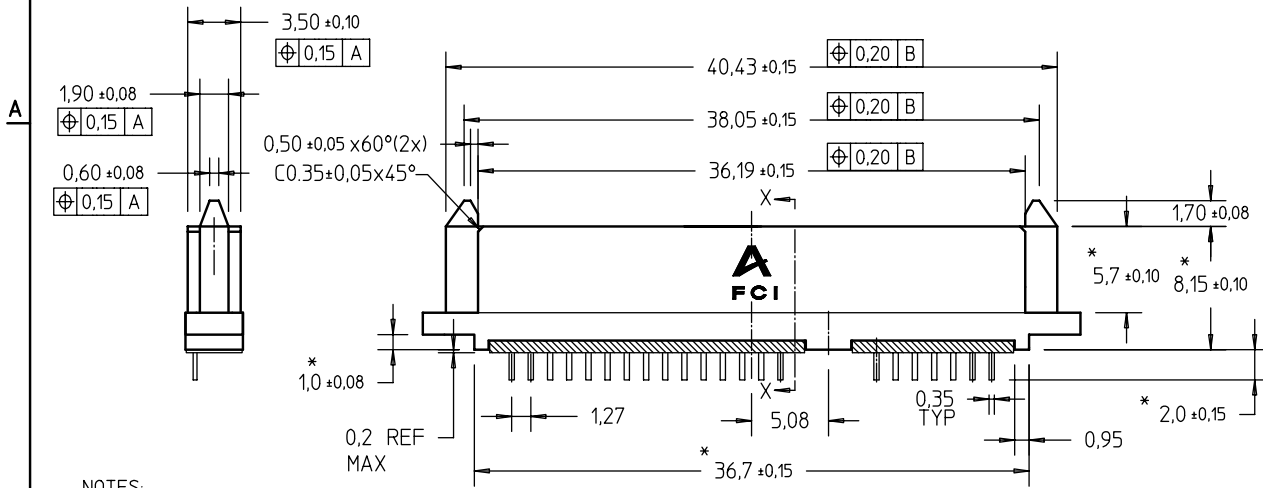


PRODUCT NO	REMARKS
10043820-001LF	NOTE (8),(9)

REV	DESCRIPTION	REV'D BY	DATE
A	RLSD ECR S04-0257	GL L00	1 DEC04
B	ECR S05-0030	GL L00	3 FEB05
C	ECR S05-0148	GL L00	19MAY05



NOTES: (cont'd)  
 6 THE STD PACKAGING IS IN TRAY.  
 7 THE HOUSING WILL WITHSTAND EXPOSURE TO 260°C PEAK TEMPERATURE FOR 10 SECONDS IN A WAVE SOLDER APPLICATION WITH 1.57MM THICK CIRCUIT BOARD.  
 (8) THIS PRODUCT MEETS EUROPEAN UNION DIRECTIVES AND OTHER COUNTRY REGULATIONS AS DESCRIBED IN GS-22-008.  
 (9) PART NUMBER ENDING IN "LF" MEANS FOR NOTE 8 LEAD FREE IDENTIFICATION.  
 P/N XXXXXXXX-XXXLE IS EQUIVALENT TO PREVIOUS P/N XXXXXXXX-XXX.



- NOTES:
- THIS PRODUCT MEETS THE SATA SPEC REV 1.0a
  - MATERIAL:
    - HOUSING : HIGH TEMP. THERMOPLASTIC, UL 94V-0  
COLOR : BLACK
    - TERMINAL : COPPER ALLOY
  - FINISH :
    - TERMINAL : 3u" Au PLATING (CONTACT POINT) OVER 50u" MIN NICKEL
    - SOLDER TAIL : 50u" MIN TIN OVER 50u" MIN NICKEL
  - TRUE POSITION NOTES APPLY AT TERMINAL TIP

(5) COVER :  
 MATL : THERMOPLASTIC,  
 THK = 0.8mm REF.

CUSTOMER COPY

GEN. TOLERANCES	DO NOT SCALE DWG. MM		
LINEAR = ±0.20			
ANGLES = ±2°	NAME	DATE	DESCRIPTION
	GL L00	1 DEC04	S-ATA COMB CABLE RECE. CONNECTOR
	GL L00	19MAY05	PRODUCT NO. 10043820
	JOEY NG	19MAY05	SCALE 2 : 1 SHT 1 OF 1