



**72~75 Watt Universal 3-Wire Input Adapter**  
**PSC75U Adapter Series Meets EISA and Ecodesign Requirements**



**Features**

- Class B EMI
- Ecodesign ErP Directive 2009/125/EC level 2 annex 1b Compliant
- Non-Vented/Spill-proof Case
- OTC, OVP, and OCP
- Level V Efficiency

**Applications**

- Networking
- Security Equipment

**Safety Approvals**

- cUL/UL
- CE
- IEC 60950-1

**Mechanical Characteristics**

- Length: 150.5mm (5.93in)
- Width: 70.5mm (2.78in)
- Height: 39mm (1.54in)
- Weight: 475g (16.76oz)

**Output Specifications**

Model	DC Output Voltage	Load		Ripple P-P (max.)	Output Power	Efficiency Level
		Min.	Max.			
PSC75U-480 <sup>(2)</sup>	+48V	0A	1.5A	480mV	72W	V
PSC75U-560	+56V	0A	1.34A	560mV	75W	V

(1) Measured after 10 minutes warm up at 25°C with 12-inch twisted pair terminated with a 10uF capacitor and 0.1uF ceramic in parallel.  
 (2) Special Order Item, contact Phihong for ordering details.

Phihong is not responsible for any error, and reserves the right to make changes without notice. Please visit our website at [www.phihong.com](http://www.phihong.com) for the most up-to-date specifications and contact information.

**Input:**

**AC Input Voltage Rating**

100V to 240V AC

**AC Input Voltage Range**

90 to 264V AC

**AC Input Frequency**

47 to 63Hz

**Input Current**

2.0A (RMS) maximum at 120V AC

1.0A (RMS) maximum at 240V AC

**Leakage Current**

3.5mA maximum at 264VAC, 50Hz

**Inrush Current**

90A maximum for 120V AC at maximum load

150A maximum for 240V AC at maximum load

(Cold Start at 25°C)

**Input Power Saving**

≤ 0.5W maximum at no load

**Output:**

**Efficiency**

87% average

**Hold-up Time**

8mS minimum at maximum load and 120V AC

**Over-Voltage Protection**

125% maximum with auto restart

**Over-Current Protection**

Equipped with short circuit protection; auto-restart

**Short-Circuit Protection**

Output can be shorted without damage

**Environmental:**

**Temperature**

Operation 0 to 40°C

Non-operation -40 to 85°C

Humidity 20 to 90%

**Emissions**

FCC Class B

EN55022 Class B

**Immunity**

EN61000-4-2 Level 3

EN61000-4-3 Level 2

EN61000-4-4 Level 3

EN61000-4-5 Level3

EN61000-4-6 Level 2

EN61000-4-11

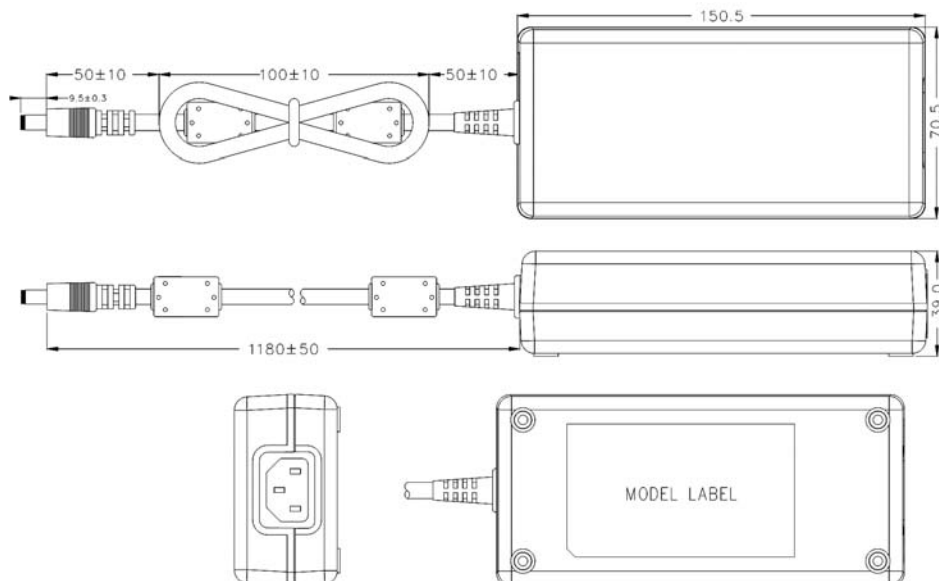
EN61000-3-2 (A1+A2+A14) Class A

EN61000-3-3

**Dielectric Withstand (Hi-pot) Test**

Primary to F.G.: 1500V AC for 1 min., 10mA

**Dimension Diagram Unit: mm (inch)**



**DC Output Connector**

2.1 x 5.5 x 9.5mm Center Positive Barrel