



## PRODUCT SPECIFICATION

*Part Number*

PT322435-TLMWD-EC33A

CUSTOMER	
CUSTOMER PART NUMBER	
DESCRIPTION	
APPROVED BY	
DATE	

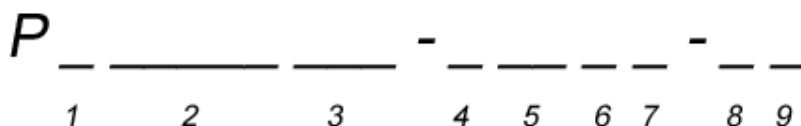
**1. Table of Contents**

<b>No.</b>	<b>Contents</b>	<b>Page</b>
1	Table of Contents	2
2	Record of Revisions	3
3	Module Numbering System	4
4	Application	5
5	Features	5
6	General Specifications	5
7	Absolute Maximum Ratings	6
8	Electrical Characteristics	7
9	Block Diagram	9
10	Input / Output Terminals Pin Assignment	10
11	Interface Timing	14
12	Optical Characteristics	23
13	Reliability Test	26
14	Packaging	27
15	Precautions	28
16	Outline Drawing	30
17	Definition of Labels	31
18	Incoming Inspection Standards	33





### 3. Module Numbering System



#### 1. LCD TYPE

- C = Character
- G = Graphic
- T = TFT
- COG = Chip on Glass
- COF = Chip on Flex
- TAB = Tape Automated Bonding

#### 6. BACKLIGHT COLOR

- B = Blue
- Y = Yellow
- G = Green
- S = Yellow-Green
- W = White

#### 2. LENGTH x WIDTH

*in pixels. Zeroes removed from this section.*

#### 7. VIEWING DIRECTION

- D = 6 o'clock
- U = 12 o'clock
- F = Full v/a

#### 3. DIAGONAL DIMENSION

*Product size in inches*

#### 8. A ~ Z CODE

*Assigned by P-tec*

#### 4. LCD MODE

- T = TN

#### 9. TOUCH PANEL TYPE

- None = Blank
- R = Resistive
- C = Capacitive

#### 5. POLARIZER

- LF = Transflective
- LM = Transmissive

#### 10. SPECIAL CHARACTERS

*Characters assigned by P-tec to reflect special customer requirements*



#### 4. Application

This specification is applied to the 3.5 inch QVGA supported TFT-LCD module With projected capacitive touch (PCT), and can display 262k colors. The module is designed for PMP, GPS application and other electronic products which require flat panel display of digital signal interface and used as the input devices for general electric appliances via human's finger.

#### 5. Features

- QVGA (320×240 pixels) resolution.
- Display in 262k colors
- Line inversion mode with stripe type.
- On-chip voltage generator
- SYNC mode is supported for digital RGB input data format.
- Projected Capacitive Touch
  - I<sup>2</sup>C Interface
  - Multi Touch (Ten points)

#### 6. General Specifications

Item	Specifications	Unit
Screen Size	3.5 (Diagonal)	inch
Display	320RGB(H)×240(V)	dot
Active Area	70.08(H)×52.56(V)	mm
Dot Pitch	0.073(H)×0.219(V)	mm
Pixel	RGB Vertical Stripe	-
Display Mode	TN Type Transmissive Mode Normally White	-
Surface	Clear(7H)	-
Viewing Direction	6 O'clock (The Gray Inversion will appear at this direction)	-
Outline	76.9(W)×63.9(H)×4.85(D)	mm
DC to DC	Build-in	-
Weight	46.7	g
<u>RoHS Compliance</u>	P-tec <a href="#">certifies this product to be in compliance with European Union Directive 2002/95/EC on the restriction of certain hazardous substances in electrical and electronic equipment.</a>	-

**7. Absolute Maximum Ratings****7.1 Absolute Ratings of Environment**

Item	Symbol	Value		Unit	Note
		Min.	Max.		
Storage Temperature	T <sub>ST</sub>	-30	+80	°C	(1)(2)
Operating Ambient Temperature	T <sub>OP</sub>	-20	+70	°C	(1)(2)

Note1: Background color changes slightly depending on ambient temperature.

This phenomenon is reversible.

Note2: Please refer to item of RELIABILITY.

**7.2 Electrical Absolute Ratings****7.2.1 TFT-LCD Module**

(Ta=25±2°C, GND=V<sub>SS</sub>=0V)

Item	Symbol	Value		Unit	Note
		Min.	Max.		
Digital Power Supply Voltage	V <sub>CC</sub>	V <sub>SS</sub> -0.3	5.0	V	-

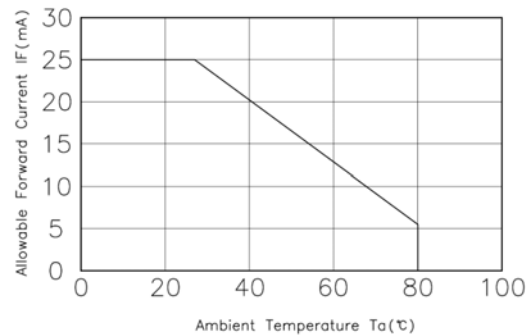
**7.2.2 Backlight Unit**

(Ta=25±2°C)

Item	Symbol	Value		Unit	Note
		Min.	Max.		
Forward current	I <sub>F</sub>	-	(50)	mA	(1)(2)
Reverse voltage	V <sub>R</sub>	-	(25)	V	(1)

Note (1) Permanent damage to the device may occur if maximum values are exceeded or reverse voltage is loaded.

Note (2) Relation between maximum LED forward current and ambient temperature is showed as below.(a string of LEDs)

**Ambient Temperature vs. Allowable Forward Current**



## 8. Electrical Characteristics

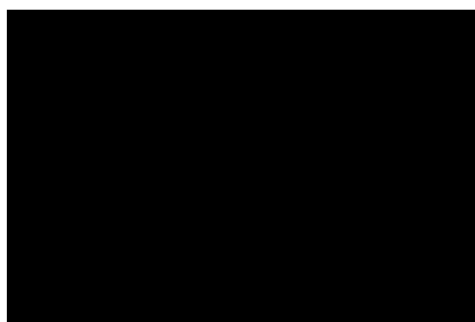
### 8.1 TFT-LCD Module

(Ta=25±2°C)

Item	Symbol	Value			Unit	Note
		Min.	Typ.	Max.		
Power Supply Voltage	V <sub>CC</sub>	2.5	3.3	3.6	V	-
Power Supply Current	I <sub>CC</sub>	-	15.6	22.0	mA	(1)
Input High Threshold Voltage	V <sub>IH</sub>	0.8V <sub>CC</sub>	-	V <sub>CC</sub>	V	-
Input Low Threshold Voltage	V <sub>IL</sub>	0	-	0.2V <sub>CC</sub>	V	-
Power Consumption	P <sub>L</sub>	-	51.48	72.6	mW	(1)
VSYNC Frequency	F <sub>V</sub>	-	60	90	Hz	-
HSYNC Frequency	F <sub>H</sub>	-	15.72	22.35	KHz	-
DCLK Frequency	DCLK	-	6.5	10	MHz	-

Note (1) The specified power consumption is under the conditions at V<sub>CC</sub>=3.3V, F<sub>V</sub>=60Hz, whereas a power dissipation check pattern below is displayed.

Black Pattern / 0 Gray



Active Area

**8.2 Backlight Unit**

(Ta=25±2°C)

Item	Symbol	Value			Unit	Note
		Min.	Typ.	Max.		
LED Voltage	VL	-	(16.5)	-	V	(1)
LED Current	IL	-	(40)	-	mA	(1)
Power Consumption	P <sub>BL</sub>	-	(660)	-	mW	(1)
LED Life Time(25°C)	-	10000	30000	-	hr	(2)

Note (1) The driving design of backlight unit is dependent on serial consideration of 5S2P LEDs.

Note (2) LED life time is defined as under 25±2°C, when the average brightness decrease to 50% of original brightness

**8.3 Projected Capacitive Touch**

Item	Symbol	Value			Unit	Note
		Min.	Typ.	Max.		
Operating Voltage	VDD	3.0	3.3	3.6	V	-
Power Supply Current	IDD	-	9.4	13.2	mA	(1)
Input High Threshold Voltage	V <sub>IH</sub>	0.7VDD	-	VDD	V	-
Input Low Threshold Voltage	V <sub>IL</sub>	-0.3	-	0.3VDD	V	-
Output High Threshold Voltage	V <sub>OH</sub>	0.7VDD	-	-	V	-
Output Low Threshold Voltage	V <sub>OL</sub>	-	-	0.3VDD	V	-
Power Consumption	P <sub>L</sub>	-	31.02	43.56	mW	@3.3V
Interface		I <sup>2</sup> C				-
Function		Multi Touch				-

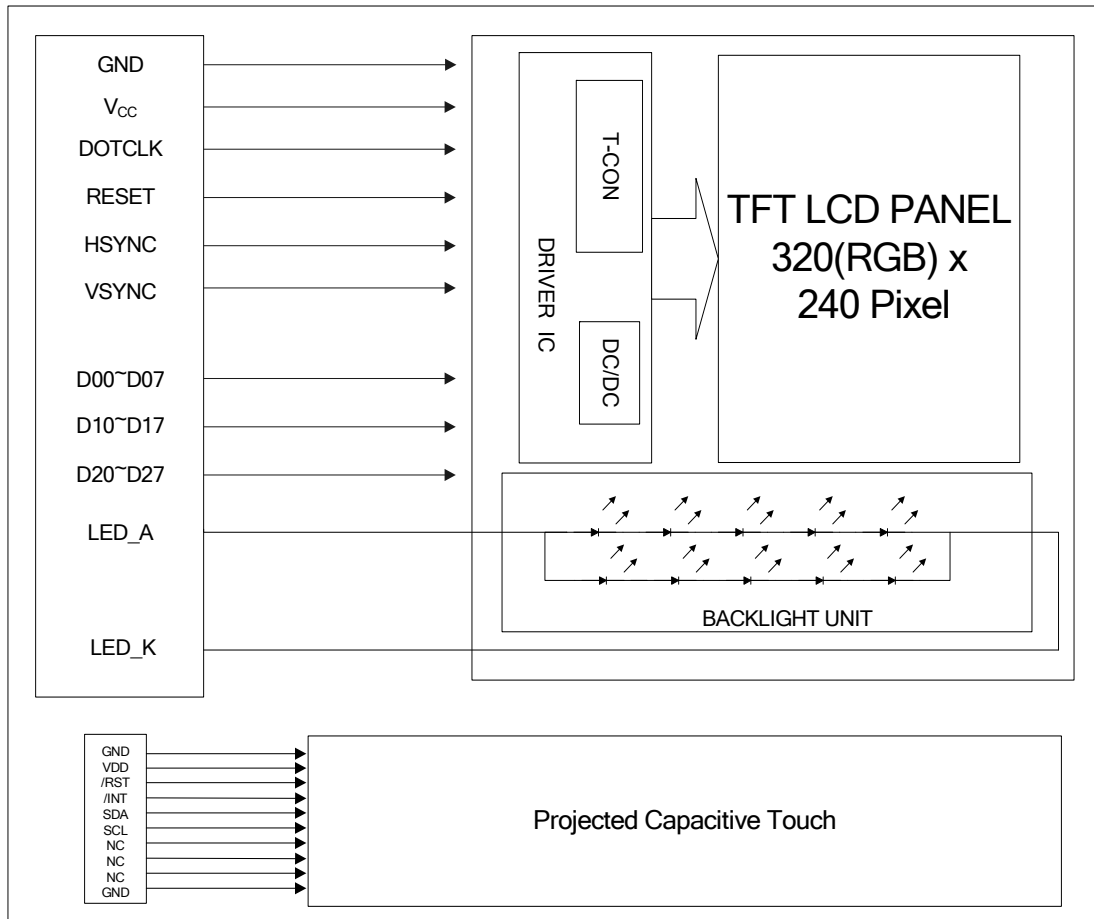
Note (1) This test condition is touched with 10 points.





### 9. Block Diagram

#### TFT-LCD Module with Backlight Unit



**10. Input / Output Terminals Pin Assignment****10.1 TFT-LCD Module (CVILUX CF25541D0R0-05)**

Pin No.	Symbol	I/O	Description
1	LED_K	I	LED_cathode
2	LED_K	I	LED_cathode
3	LED_A	I	LED_anode
4	LED_A	I	LED_anode
5	NC	I	No connection
6	NC	I	No connection
7	NC	I	No connection
8	RESET	I	Reset
9	NC	I	No connection
10	NC	I	No connection
11	NC	I	No connection
12	D20	I	Blue data(LSB)
13	D21	I	Blue data
14	D22	I	Blue data
15	D23	I	Blue data
16	D24	I	Blue data
17	D25	I	Blue data
18	D26	I	Blue data
19	D27	I	Blue data(MSB)
20	D10	I	Green data(LSB)
21	D11	I	Green data
22	D12	I	Green data
23	D13	I	Green data
24	D14	I	Green data
25	D15	I	Green data
26	D16	I	Green data
27	D17	I	Green data(MSB)
28	D00	I	Red data(LSB)
29	D01	I	Red data
30	D02	I	Red data



Pin No.	Symbol	I/O	Description
31	D03	I	Red data
32	D04	I	Red data
33	D05	I	Red data
34	D06	I	Red data
35	D07	I	Red data(MSB)
36	HSYNC	I	Line synchronization signal.
37	VSYNC	I	Frame synchronization signal.
38	DOTCLK	I	Dot Colck signal
39	NC	I	No connection
40	NC	I	No connection
41	V <sub>CC</sub>	I	For system power supply.
42	V <sub>CC</sub>	I	For system power supply.
43	NC	I	No connection
44	NC	I	No connection
45	NC	I	No connection
46	NC	I	No connection
47	NC	I	No connection
48	NC	I	No connection
49	NC	I	No connection
50	NC	I	No connection
51	NC	I	No connection
52	NC	I	No connection
53	GND	I	Ground
54	GND	I	Ground



## 10.2 Projected Capacitive Touch

Connector: CVILUX CF25101D0R0-05

Pin No.	Symbol	I/O	Description
1	GND	I	System ground.
2	VDD	I	+3.3V power supply.
3	/RST	I	External reset signal, active low.
4	/INT	O	Interrupt signal, active low, asserted to request Host start a new transaction.
5	SDA	I/O	I <sup>2</sup> C data signal.
6	SCL	I	I <sup>2</sup> C clock signal.
7	NC	-	Not Connection
8	NC	-	Not Connection
9	NC	-	Not Connection
10	GND	I	System ground.



### 10.3 Color Data Input Assignment

The brightness of each primary color(red, green and blue) is based on the 8 bit gray scale data input for the color. The higher the binary input, the brighter the color. The table provides the assignment of color versus data input.

Color		Data Signal																							
		Red								Green								Blue							
		D07	D06	D05	D04	D03	D02	D01	D00	D17	D16	D15	D14	D13	D12	D11	D10	D27	D26	D25	D24	D23	D22	D21	D20
Basic Colors	Black	0	0	0	0	0	0	0	0	0	0	0	0	0	0	0	0	0	0	0	0	0	0	0	
	Red	1	1	1	1	1	1	1	1	0	0	0	0	0	0	0	0	0	0	0	0	0	0	0	
	Green	0	0	0	0	0	0	0	0	1	1	1	1	1	1	1	0	0	0	0	0	0	0	0	
	Blue	0	0	0	0	0	0	0	0	0	0	0	0	0	0	0	1	1	1	1	1	1	1	1	
	Cyan	0	0	0	0	0	0	0	0	1	1	1	1	1	1	1	1	1	1	1	1	1	1	1	
	Magenta	1	1	1	1	1	1	1	1	0	0	0	0	0	0	0	0	1	1	1	1	1	1	1	
	Yellow	1	1	1	1	1	1	1	1	1	1	1	1	1	1	1	0	0	0	0	0	0	0	0	
	White	1	1	1	1	1	1	1	1	1	1	1	1	1	1	1	1	1	1	1	1	1	1	1	
Gray Scale Of RED	Red(0) / Dark	0	0	0	0	0	0	0	0	0	0	0	0	0	0	0	0	0	0	0	0	0	0		
	Red(1)	0	0	0	0	0	0	1	0	0	0	0	0	0	0	0	0	0	0	0	0	0	0		
	Red(2)	0	0	0	0	0	0	1	0	0	0	0	0	0	0	0	0	0	0	0	0	0	0		
	:	:	:	:	:	:	:	:	:	:	:	:	:	:	:	:	:	:	:	:	:	:	:		
	:	:	:	:	:	:	:	:	:	:	:	:	:	:	:	:	:	:	:	:	:	:	:		
	Red(253)	1	1	1	1	1	1	0	1	0	0	0	0	0	0	0	0	0	0	0	0	0	0		
	Red(254)	1	1	1	1	1	1	1	0	0	0	0	0	0	0	0	0	0	0	0	0	0	0		
Red(255)	1	1	1	1	1	1	1	1	0	0	0	0	0	0	0	0	0	0	0	0	0	0			
Gray Scale Of Green	Green(0) / Dark	0	0	0	0	0	0	0	0	0	0	0	0	0	0	0	0	0	0	0	0	0	0		
	Green(1)	0	0	0	0	0	0	0	0	0	0	0	0	0	0	1	0	0	0	0	0	0	0		
	Green(2)	0	0	0	0	0	0	0	0	0	0	0	0	0	1	0	0	0	0	0	0	0	0		
	:	:	:	:	:	:	:	:	:	:	:	:	:	:	:	:	:	:	:	:	:	:	:		
	:	:	:	:	:	:	:	:	:	:	:	:	:	:	:	:	:	:	:	:	:	:	:		
	Green(253)	0	0	0	0	0	0	0	0	1	1	1	1	1	1	0	1	0	0	0	0	0	0		
	Green(254)	0	0	0	0	0	0	0	0	1	1	1	1	1	1	1	0	0	0	0	0	0	0		
Green(255)	0	0	0	0	0	0	0	0	1	1	1	1	1	1	1	1	0	0	0	0	0	0			
Gray Scale Of Blue	Blue(0) / Dark	0	0	0	0	0	0	0	0	0	0	0	0	0	0	0	0	0	0	0	0	0	0		
	Blue(1)	0	0	0	0	0	0	0	0	0	0	0	0	0	0	0	0	0	0	0	0	0	1		
	Blue(2)	0	0	0	0	0	0	0	0	0	0	0	0	0	0	0	0	0	0	0	0	0	1		
	:	:	:	:	:	:	:	:	:	:	:	:	:	:	:	:	:	:	:	:	:	:	:		
	:	:	:	:	:	:	:	:	:	:	:	:	:	:	:	:	:	:	:	:	:	:	:		
	Blue(253)	0	0	0	0	0	0	0	0	0	0	0	0	0	0	0	1	1	1	1	1	1	0		
	Blue(254)	0	0	0	0	0	0	0	0	0	0	0	0	0	0	0	1	1	1	1	1	1	0		
Blue(255)	0	0	0	0	0	0	0	0	0	0	0	0	0	0	0	1	1	1	1	1	1	1			

**11. Interface Timing****11.1 Input Signal Characteristics****11.1.1 Digital Parallel RGB Interface (960×240 resolution)**

Characteristics	Symbol	Min.	Typ.	Max.	Unit	
		24 bit	24 bit	24 bit		
DOTCLK Frequency	fDOTCLK	-	6.5	10	MHz	
DOTCLK Period	tDOTCLK	100	154	-	ns	
Horizontal Frequency (Line)	fH	-	14.9	22.35	KHz	
Vertical Frequency (Refresh)	fV	-	60	90	Hz	
Horizontal Back Porch	tHBP	-	68	-	tDOTCLK	
Horizontal Front Porch	tHFP	-	20	-	tDOTCLK	
Horizontal Data Start Point	tHBP	-	68	-	tDOTCLK	
Horizontal Blanking Period	tHBP + tHFP	-	88	-	tDOTCLK	
Horizontal Display Area	HDISP	-	320	-	tDOTCLK	
Horizontal Cycle	Hcycle	-	408	450	tDOTCLK	
Vertical Back Porch	tVBP	-	18	-	Lines	
Vertical Front Porch	tVFP	-	4	-	Lines	
Vertical Data Start Point	tVBP	-	18	-	Lines	
Vertical Blanking Period	tVBP + tVFP	-	22	-	Lines	
Vertical Display Area	NTSC	VDISP	-	240	-	Lines
	PAL		280(PALM=0)			
			288(PALM=1)			
Vertical Cycle	NTSC	Vcycle	-	262	350	Lines
	PAL		313			



### 11.2 Waveform

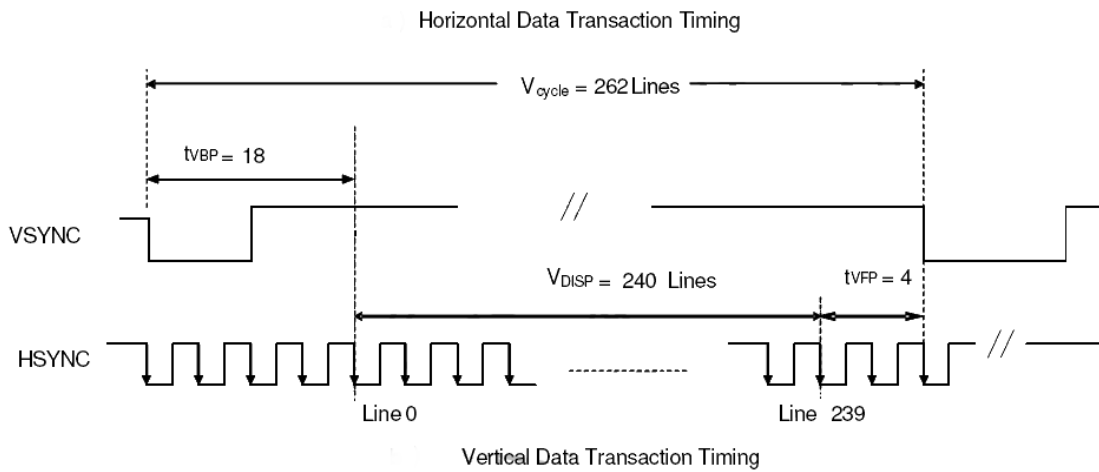
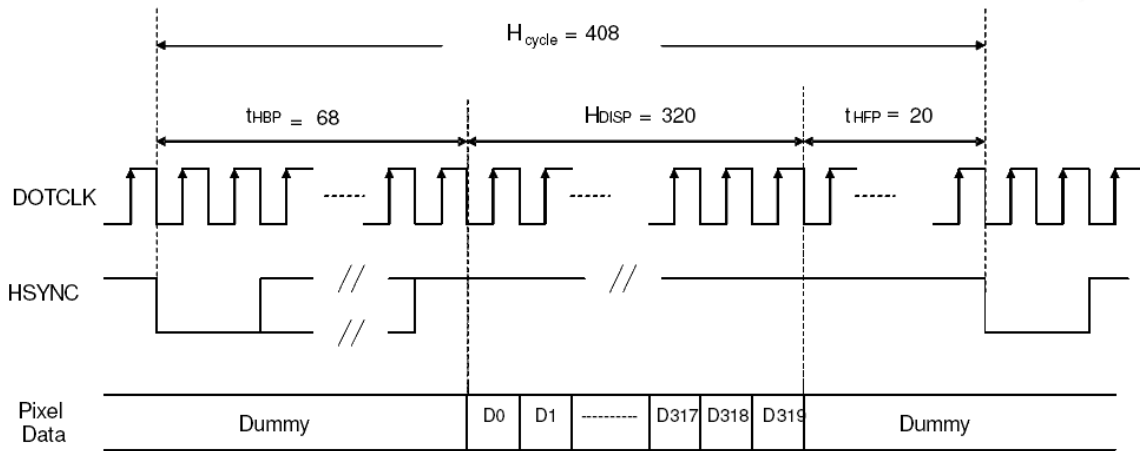
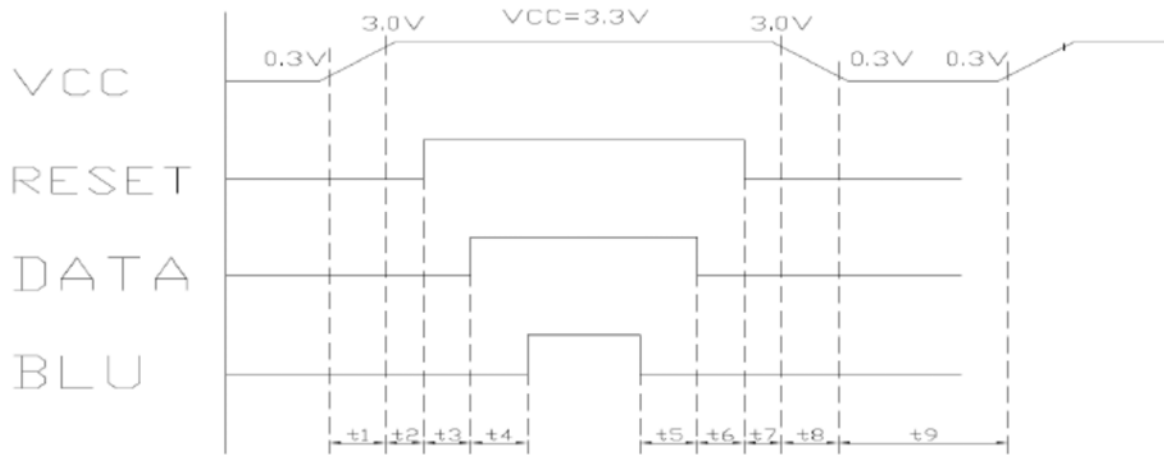


Figure 11.2 Data Transaction Timing in Parallel RGB (24 bit) Interface (SYNC Mode)



### 11.3 Power On / Off Sequence



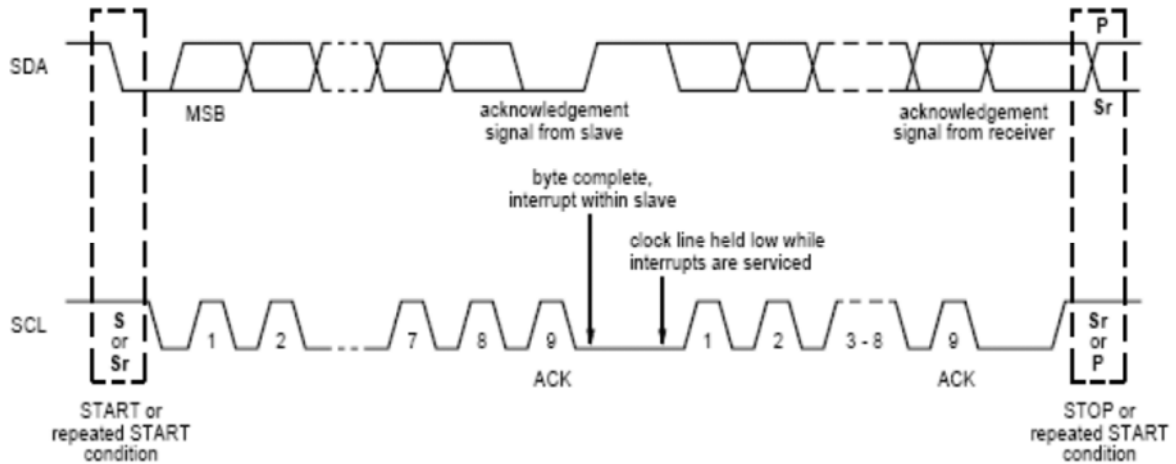
- |                   |                   |                         |
|-------------------|-------------------|-------------------------|
| $T1 \leq 10ms$    | $200ms \leq T5$   | $1 \text{ sec} \leq T9$ |
| $10\mu s \leq T2$ | $50ms \leq T6$    |                         |
| $50ms \leq T3$    | $10\mu s \leq T7$ |                         |
| $200ms \leq T4$   | $T8 \leq 10ms$    |                         |





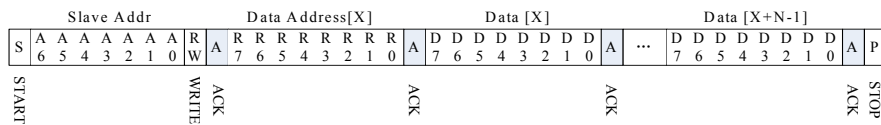
## 11.4 Timing Requirement of Projected Capacitive Touch

### 11.4.1 I2C Data Transfer Format

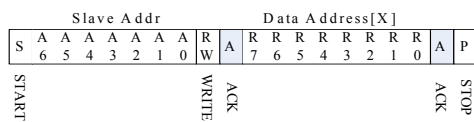


Mnemonics	Description
S	I <sup>2</sup> C Start or I <sup>2</sup> C Restart
A[6:0]	Slave Address = 7'b0111000
W	1'b0: Write
R	1'b1: Read
C	ACK
P	STOP: the indicate the end of a packet (if this bit is missing, S will indicate the end of the current packet and the beginning of the next packet)

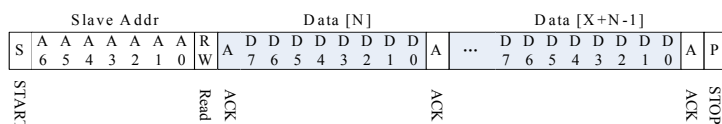
#### Write N bytes to I2C slave



#### Set Data Address



#### Read X bytes from I2C Slave



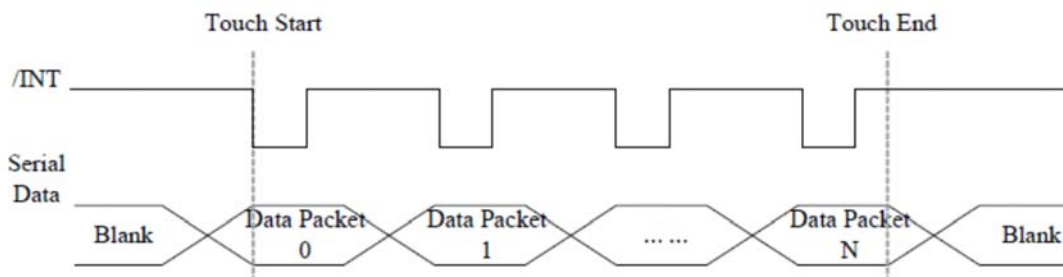


### 11.4.2 I2C Timing Characteristics

(Ta=25±2°C)

Parameter	Min	Max	Unit
SCL frequency	-	400	kHz
Bus free time between a STOP and START condition	4.7	-	μs
Hold time (repeated) START condition	4.0	-	μs
Data setup time	250	-	ns
Setup time for a repeated START condition	4.7	-	μs
Setup time for STOP condition	4.0	-	μs

### 11.4.3 Interrupt Trigger Mode



### 11.4.4 I2C Operating Mode Register Map

Address	Name	Bit7	Bit6	Bit5	Bit4	Bit3	Bit2	Bit1	Bit0	Host Access
Op,00h	DEVICE_MODE	Device Mode[2:0]								RW
Op,01h	Reserved									R
Op,02h	TD_STATUS					Number of touch points[3:0]				R
Op,03h	TOUCH1_YH	1 <sup>st</sup> Event Flag				1 <sup>st</sup> Touch Y Position[11:8]			R	
Op,04h	TOUCH1_YL	1 <sup>st</sup> Touch Y Position[7:0]								R
Op,05h	TOUCH1_XH	1 <sup>st</sup> Touch ID[3:0]			1 <sup>st</sup> Touch X Position[11:8]					R
Op,06h	TOUCH1_XL	1 <sup>st</sup> Touch X Position[7:0]								R
Op,07h	Reserved									R



Op,08h	Reserved				R
Op,09h	TOUCH2_YH	2 <sup>nd</sup> Event Flag		2 <sup>nd</sup> Touch Y Position[11:8]	R
Op,0Ah	TOUCH2_YL	2 <sup>nd</sup> touch Y Position[7:0]			R
Op,0Bh	TOUCH2_XH	2 <sup>nd</sup> Touch ID[3:0]		2 <sup>nd</sup> Touch X Position[11:8]	R
Op,0Ch	TOUCH2_XL	2 <sup>nd</sup> Touch X Position[7:0]			R
Op,0Dh	Reserved				R
Op,0Eh	Reserved				R
Op,0Fh	TOUCH3_YH	3 <sup>rd</sup> Event Flag		3 <sup>rd</sup> Touch Y Position[11:8]	R
Op,10h	TOUCH3_YL	3 <sup>rd</sup> Touch Y Position[7:0]			R
Op,11h	TOUCH3_XH	3 <sup>rd</sup> Touch ID[3:0]		3 <sup>rd</sup> Touch X Position[11:8]	R
Op,12h	TOUCH3_XL	3 <sup>rd</sup> Touch X Position[7:0]			R
Op,13h	Reserved				R
Op,14h	Reserved				R
Op,15h	TOUCH4_YH	4 <sup>th</sup> Event Flag		4 <sup>th</sup> Touch Y Position[11:8]	R
Op,16h	TOUCH4_YL	4 <sup>th</sup> Touch Y Position[7:0]			R
Op,17h	TOUCH4_XH	4 <sup>th</sup> Touch ID[3:0]		4 <sup>th</sup> Touch X Position[11:8]	R
Op,18h	TOUCH4_XL	4 <sup>th</sup> Touch X Position[7:0]			R
Op,19h	Reserved				R
Op,1Ah	Reserved				R
Op,1Bh	TOUCH5_YH	5 <sup>th</sup> Event Flag		5 <sup>th</sup> Touch Y Position[11:8]	R
Op,1Ch	TOUCH5_YL	5 <sup>th</sup> Touch Y Position[7:0]			R
Op,1Dh	TOUCH5_XH	5 <sup>th</sup> Touch ID[3:0]		5 <sup>th</sup> Touch X Position[11:8]	R
Op,1Eh	TOUCH5_XL	5 <sup>th</sup> Touch X Position[7:0]			R
Op,1Fh	Reserved				R
Op,20h	Reserved				R
Op,21h	TOUCH6_YH	6 <sup>th</sup> Event Flag		6 <sup>th</sup> Touch Y Position[11:8]	R
Op,22h	TOUCH6_YL	6 <sup>th</sup> Touch Y Position[7:0]			R
Op,23h	TOUCH6_XH	6 <sup>th</sup> Touch ID[3:0]		6 <sup>th</sup> Touch X Position[11:8]	R



Op,24h	TOUCH6_XL	6 <sup>th</sup> Touch X Position[7:0]		R
Op,25h	Reserved			R
Op,26h	Reserved			R
Op,27h	TOUCH7_YH	7 <sup>th</sup> Event Flag	7 <sup>th</sup> Touch Y Position[11:8]	R
Op,28h	TOUCH7_YL	7 <sup>th</sup> Touch Y Position[7:0]		R
Op,29h	TOUCH7_XH	7 <sup>th</sup> Touch ID[3:0]	7 <sup>th</sup> Touch X Position[11:8]	R
Op,2Ah	TOUCH7_XL	7 <sup>th</sup> Touch X Position[7:0]		R
Op,2Bh	Reserved			R
Op,2Ch	Reserved			R
Op,2Dh	TOUCH8_YH	8 <sup>th</sup> Event Flag	8 <sup>th</sup> Touch Y Position[11:8]	R
Op,2Eh	TOUCH8_YL	8 <sup>th</sup> Touch Y Position[7:0]		R
Op,2Fh	TOUCH8_XH	8 <sup>th</sup> Touch ID[3:0]	8 <sup>th</sup> Touch X Position[11:8]	R
Op,30h	TOUCH8_XL	8 <sup>th</sup> Touch X Position[7:0]		R
Op,31h	Reserved			R
Op,32h	Reserved			R
Op,33h	TOUCH9_YH	9 <sup>th</sup> Event Flag	9 <sup>th</sup> Touch Y Position[11:8]	R
Op,34h	TOUCH9_YL	9 <sup>th</sup> Touch Y Position[7:0]		R
Op,35h	TOUCH9_XH	9 <sup>th</sup> Touch ID[3:0]	9 <sup>th</sup> Touch X Position[11:8]	R
Op,36h	TOUCH9_XL	9 <sup>th</sup> Touch X Position[7:0]		R
Op,37h	Reserved			R
Op,38h	Reserved			R
Op,39h	TOUCH10_YH	10 <sup>th</sup> Event Flag	10 <sup>th</sup> Touch Y Position[11:8]	R
Op,3Ah	TOUCH10_YL	10 <sup>th</sup> Touch Y Position[7:0]		R
Op,3Bh	TOUCH10_XH	10 <sup>th</sup> Touch ID[3:0]	10 <sup>th</sup> Touch X Position[11:8]	R
Op,3Ch	TOUCH10_XL	10 <sup>th</sup> Touch X Position[7:0]		R
Op,3Dh	Reserved			R
Op,3Eh	Reserved			R

**11.4.5 DEVICE\_MODE**

This register is the device mode register, configure it to determine the current mode of the chip.

Address	Bit Address	Register Name	Description
Op,00h	6:4	Device Mode [2:0]	000b Normal operating Mode 001b System Information Mode (Reserved) 100b Test Mode – read raw data (Reserved)

**11.4.6 TD\_STATUS**

This register is the Touch Data status register.

Address	Bit Address	Register Name	Description
Op,02h	3:0	Number of touch points[3:0]	How many points detected. 1-10 is valid.

**11.4.7 TOUCH<sub>n</sub>\_YH (n:1-10)**

This register describes MSB of the Y coordinate of the nth touch point and the corresponding event flag.

Address	Bit Address	Register Name	Description
Op,03h ~ Op,39h	7:6	Event Flag	00b: Put Down 01b: Put Up 10b: Contact 11b: No event
	5:4		Reserved
	3:0	Touch Y Position [11:8]	MSB of Touch Y Position in pixels

**11.4.8 TOUCH<sub>n</sub>\_YL (n:1-10)**

This register describes LSB of the Y coordinate of the nth touch point.

Address	Bit Address	Register Name	Description
Op,04h ~ Op,3Ah	7:0	Touch Y Position [7:0]	LSB of the Touch Y Position in pixels

**11.4.9 TOUCH<sub>n</sub>\_XH (n:1-10)**

This register describes MSB of the X coordinate of the nth touch point and corresponding touch ID.

Address	Bit Address	Register Name	Description
Op,05h ~ Op,3Bh	7:4 3:0	Touch ID[3:0] Touch X Position [11:8]	Touch ID of Touch Point MSB of Touch X Position in pixels

**11.4.10 TOUCH<sub>n</sub>\_XL (n:1-10)**

This register describes LSB of the X coordinate of the nth touch point.

Address	Bit Address	Register Name	Description
Op,06h ~ Op,3Ch	7:0	Touch X Position [7:0]	LSB of The Touch X Position in pixels



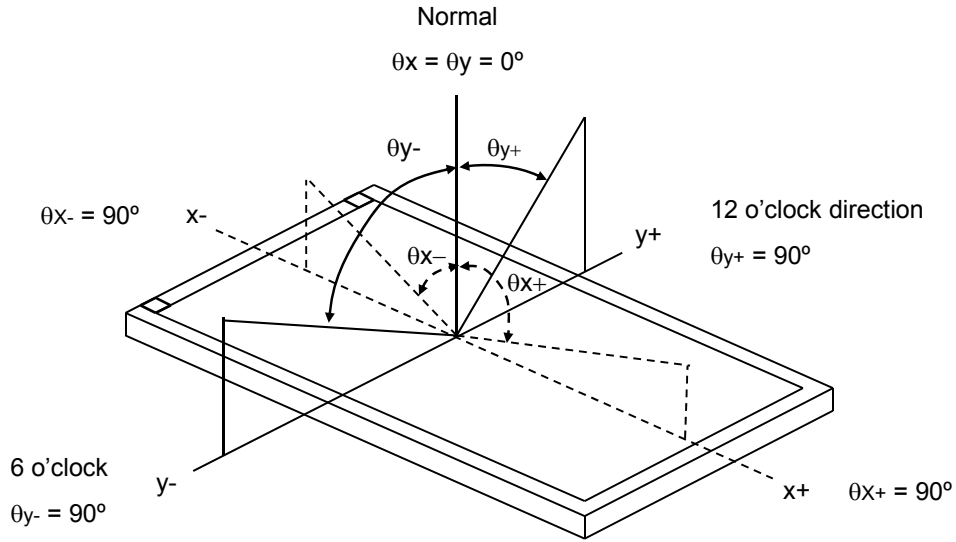
## 12. Optical Characteristics

The optical characteristics should be measured in a dark environment ( $\leq 1$  lux) or equivalent state with the methods shown in Note (4).

Item		Symbol	Conditions	Min.	Typ.	Max.	Unit	Note
Contrast Ratio		CR	$\theta_x=0^\circ, \theta_y=0^\circ$ Viewing Normal Angle	300	(450)	-	-	(2)
Response Time		$T_{R+T_F}$		-	50	-	ms	(3)
Luminance(Center)		Y		600	(700)	-	cd/m <sup>2</sup>	(4)
Brightness uniformity		BUNI		75	(80)	-	%	(5)
Color Chromaticity	Red	Rx		0.585	0.635	0.685	-	(1),(4)
		Ry		0.305	0.355	0.405	-	
	Green	Gx		0.300	0.350	0.400	-	
		Gy		0.525	0.575	0.625	-	
	Blue	Bx		0.090	0.140	0.190	-	
		By		0.040	0.090	0.140	-	
	White	Wx	0.275	0.325	0.375	-		
		Wy	0.285	0.335	0.385	-		
Viewing Angle	Horizontal	$\theta_{x+}$	CR $\geq$ 10	55	(70)	-	deg.	
		$\theta_{x-}$		55	(70)	-		
	Vertical	$\theta_{y+}$		40	(55)	-		
		$\theta_{y-}$		50	(70)	-		



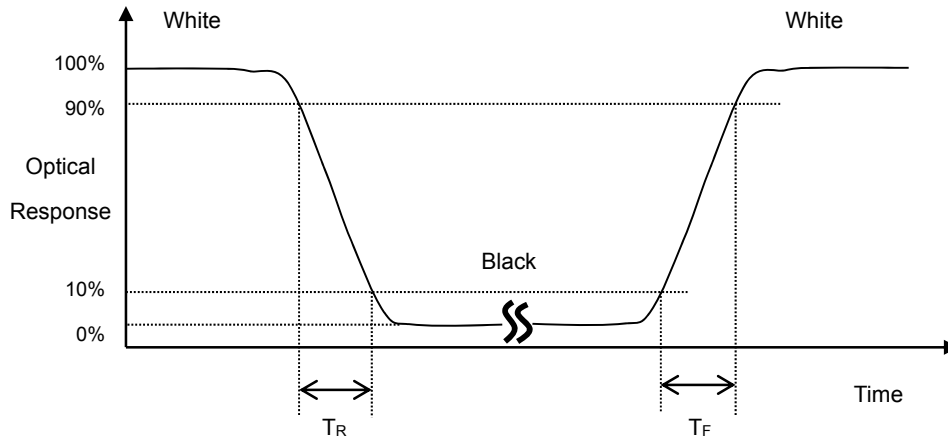
Note (1) Definition of Viewing Angle ( $\theta_x, \theta_y$ ):



Note (2) Definition of Contrast Ratio (CR):

$$\text{Contrast ratio (CR)} = \frac{\text{Luminance measured when LCD on the "White" state}}{\text{Luminance measured when LCD on the "Black" state}}$$

Note (3) Definition of Response Time ( $T_R, T_F$ ):

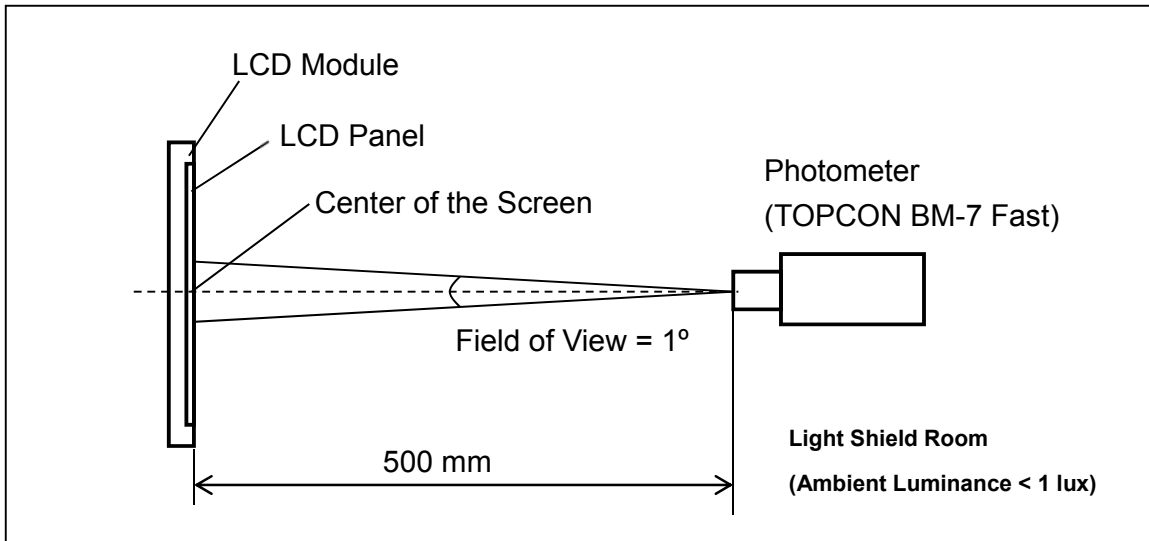






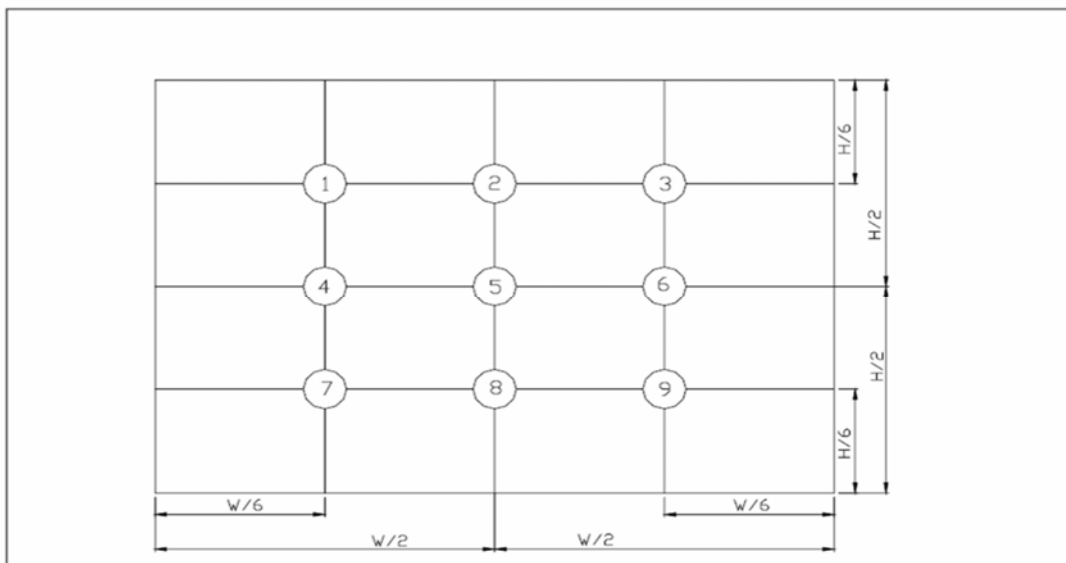
Note (4) Measurement Set-Up:

The LCD module should be stabilized at a given temperature for 30 minutes to avoid abrupt temperature change during measuring. In order to stabilize the luminance, the measurement should be executed after lighting Backlight for 30 minutes in a windless room.



Note (5) Definition of brightness uniformity

$$\text{Brightness uniformity} = (\text{Min Luminance of 9 points}) / (\text{Max Luminance of 9 points}) \times 100\%$$



( 單位 : mm )

**13. Reliability Test**

No.	Test Items	Test Condition	Remark
1	High Temperature Storage Test	T <sub>a</sub> = 80°C 240 hours	(1),(3),(4)
2	Low Temperature Storage Test	T <sub>a</sub> = -30°C 240 hours	(1),(3),(4)
3	High Temperature Operation Test	T <sub>S</sub> = 70°C 240 hours	(2),(3),(4)
4	Low Temperature Operation Test	T <sub>a</sub> = -20°C 240 hours	(1),(3),(4)
5	High Temperature and High Humidity Operation Test	T <sub>a</sub> =60°C 90%RH 240 hours	(3), (4)
6	Electro Static Discharge Test ( non-operating )	-Panel Surface/Top Case : 150pF, 330Ω Air : ±15kV, Contact: ±8kV	(3)
7	Mechanical Shock Test ( non-operating )	Half sine wave, 100G, 6ms 3 times shock of each six surfaces	(3)
8	Vibration Test ( non-operating )	Sine wave:10 ~ 55 ~ 10Hz amplitude:1.5mm 3 axis, 2 hours/axis	(3)
9	Thermal Shock Test ( non-operating )	-20°C (30min) ~ 70°C (30min) ,10 cycles	(3) , (4)
10	Drop Test(with Carton)	Height : 80cm 1 corner, 3 edges, 6 surfaces	(3)

Note 1 : T<sub>a</sub> is the ambient temperature of samples.

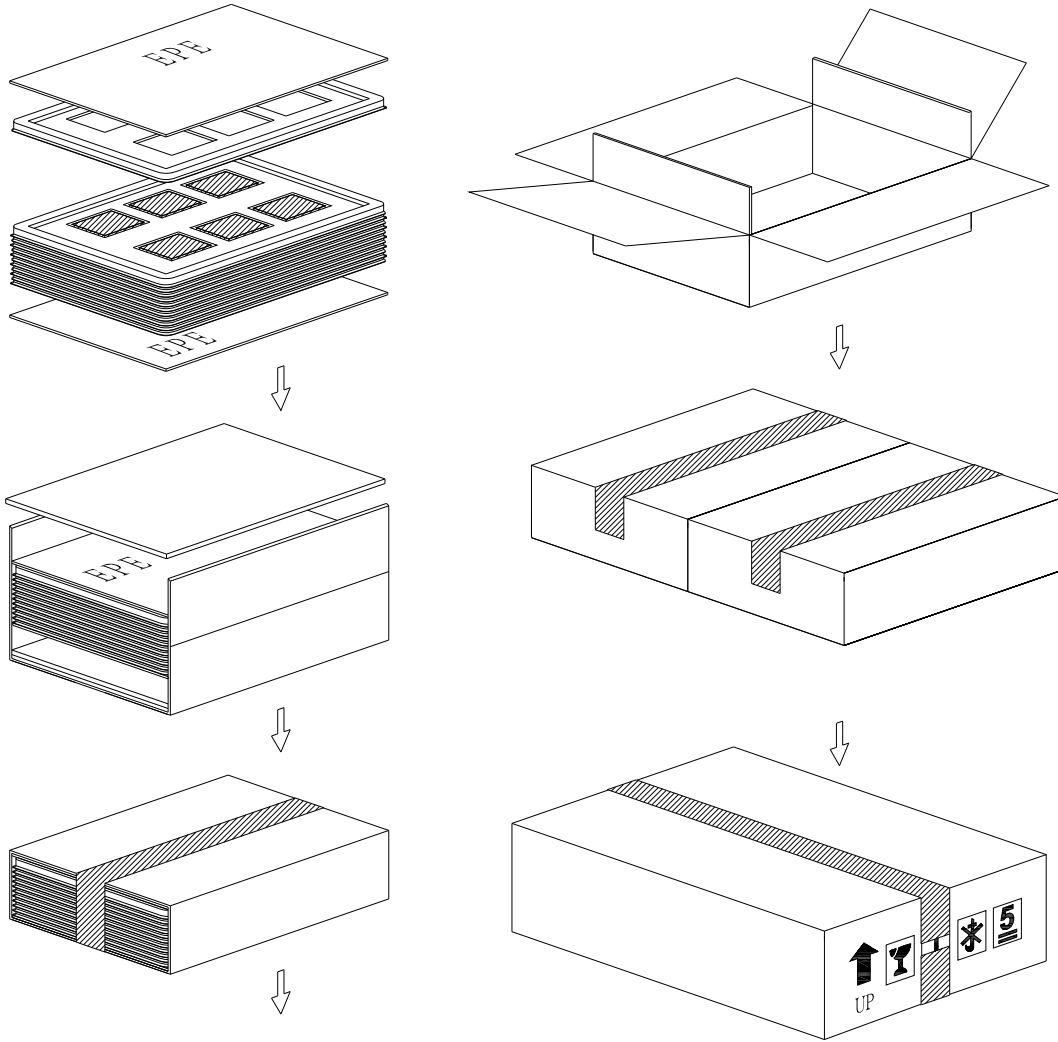
Note 2 : T<sub>s</sub> is the temperature of panel's surface.

Note 3 : In the standard condition, there shall be no practical problem that may affect the display function. After the reliability test, the product only guarantees operation, but don't guarantee all of the cosmetic specification.

Note 4 : Before cosmetic and function test, the product must have enough recovery time, at least 2 hours at room temperature.



**14. Packaging**



PARTS LIST					
	ITEM	SIZE(LxWxH) unit:mm	MATERIAL	Q.T.Y	NOTE
1	TRAY	372.0x262.0x16.6		26	
2	EPE(J46)	372.0x262.0x5.0	EPE	4	
3	CARD BOARD(P01)	816.0x375.0x3.5	CARTON	2	
4	CARD BOARD(P02)	945.0x275.0x3.5	CARTON	2	
5	CARD BOARD(P03)	375.0x265.0x3.5	CARTON	4	
6	INTERNAL BOX(S01)	400.0x290.0x150.0	CARTON	2	
7	EXTERNAL BOX(L28)	600.0x420.0x180.0		1	
8	PRODUCT	76.9x63.9x4.85		144	



## **15. Precautions**

### **15.1 Assembly and Handling Precautions**

- (1) Do not apply rough force such as bending or twisting to the module during assembly.
- (2) It's recommended to assemble or to install a module into the user's system in clean working areas. The dust and oil may cause electrical short or worsen the polarizer.
- (3) Don't apply pressure or impulse to the module to prevent the damage of LCD panel and Backlight.
- (4) Always follow the correct power-on sequence when the LCD module is turned on. This can prevent the damage and latch-up of the CMOS LSI chips.
- (5) Do not plug in or pull out the I/F connector while the module is in operation.
- (6) Do not disassemble the module.
- (7) Use a soft dry cloth without chemicals for cleaning, because the surface of polarizer is very soft and easily scratched.
- (8) Moisture can easily penetrate into LCD module and may cause the damage during operation.
- (9) High temperature or humidity may deteriorate the performance of LCD module. Please store LCD module in the specified storage conditions.
- (10) When ambient temperature is lower than 10°C, the display quality might be reduced. For example, the response time will become slow.

### **15.2 Safety Precautions**

- (1) If the liquid crystal material leaks from the panel, it should be kept away from the eyes or mouth. In case of contact with hands, skin or clothes, it has to be washed away thoroughly with soap.
- (2) After the module's end of life, it is not harmful in case of normal operation and storage.

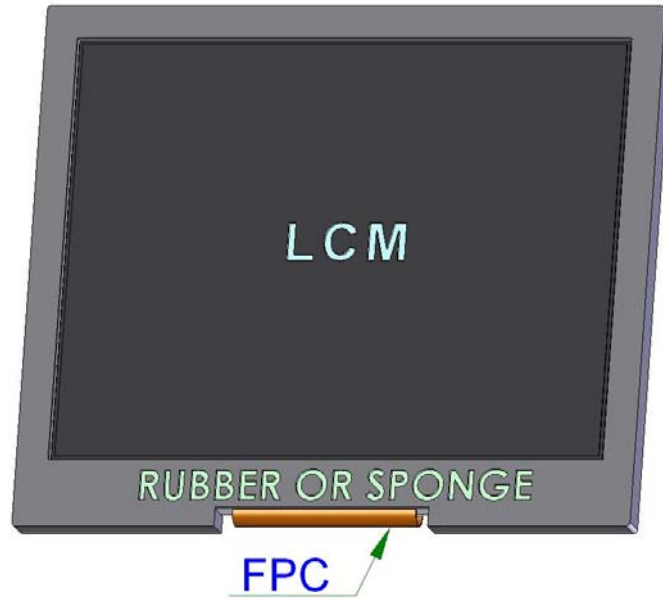
### **15.3 Terms of Warrant**

- (1) Acceptance inspection period  
The period is within one month after the arrival of contracted commodity at the buyer's factory site.
- (2) Applicable warrant period  
The period is within twelve months since the date of shipping out under normal using and storage conditions.



### 15.4 Cautions for LCM's installing and assembling

Please keep away the FPC while assembling or fixing the LCM to avoid FPC being damaged or extruded or other related problems. Please see below picture.

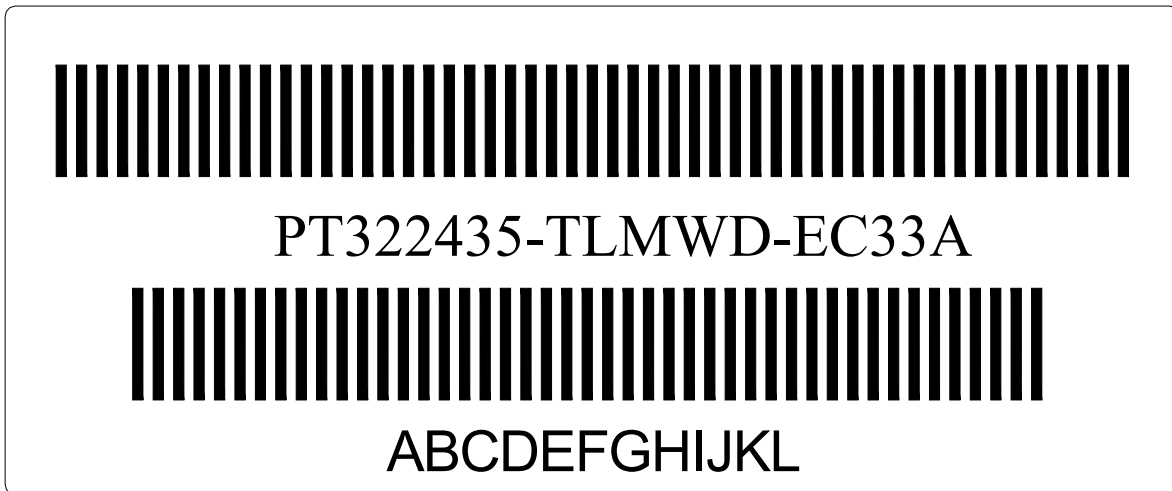






### 17. Definition of Labels

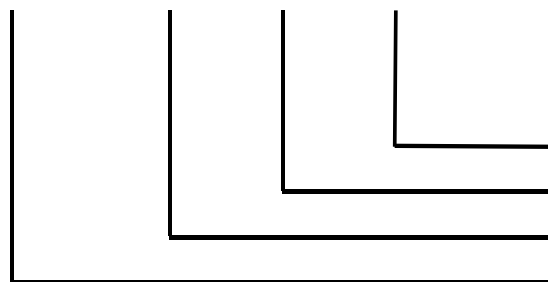
The bar code nameplate is pasted on each module as illustration, and its definitions are as following explanation.



(a) Module Name : PT322435-TLMWD-EC33A

(b) Serial ID :

A B C D E F G H I J K L



Serial No.  
 Factory Code  
 Manufactured Date  
 Screen Size

Serial ID includes the information as below:

(a) Screen size (Diagonal): Inch Code (ABCD)

3.5" → 0350

10.4" → 1040

(b) Manufactured Date: Year, Month, Day (EFG)

Year (E)

Year	2000	2001	2002	2003	2004	2005	2006	2007	2008	2009
Mark	0	1	2	3	4	5	6	7	8	9
Year	2010	2011	2012	2013	2014	2015	2016	2017	2018	2019
Mark	A	B	C	D	E	F	G	H	I	J



Month (F)

Month	Jan.	Feb.	Mar.	Apr.	May	Jun.	Jul.	Aug.	Sep.	Oct.	Nov.	Dec.
Mark	1	2	3	4	5	6	7	8	9	A	B	C

Day (G)

Day	1	2	3	4	5	6	7	8	9	10	11	12	13	14	15	16
Mark	1	2	3	4	5	6	7	8	9	A	B	C	D	E	F	G
Day	17	18	19	20	21	22	23	24	25	26	27	28	29	30	31	
Mark	H	I	J	K	L	M	N	O	P	Q	R	S	T	U	V	

(c) Factory Code (H):

For P-TEC internal use.

(d) Serial No. (IJKL):

Manufacturing sequence of product, for example: 0001~9999.



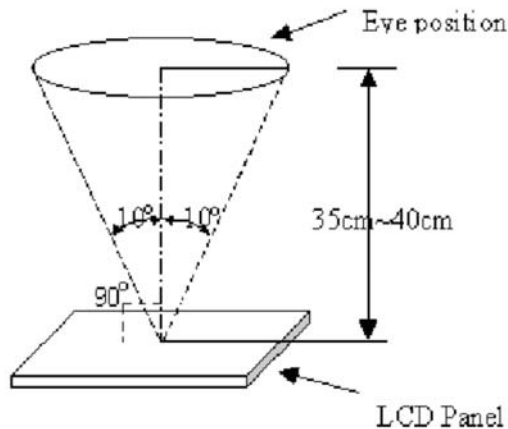


### 18. Incoming Inspection Standards

#### 18.1 The environmental condition of inspection

The environmental condition and visual inspection shall be conducted as below.

- (1) Ambient temperature  $25 \pm 5^\circ\text{C}$
- (2) Humidity:  $60 \pm 5\% \text{ RH}$
- (3) Viewing distance is approximately 35 ~ 40 cm
- (4) Viewing angle is normal to the LCD panel as Fig\_1( $10^\circ$ )
- (5) Ambient Illumination: 300 ~ 500 Lux for external appearance inspection



Fig\_1

#### 18.2 The defects classify of AQL as following:

- (1) Test method :According to [ANSI/ASQC Z 1.4](#) .General Inspection Level II take a single time
- (2) The defects classify of AQL as following:

Class of defects	AQL	Definition
Major	0.65%	It is defect that is likely to result in failure or to reduce materially the usability of the intended function.
Minor	1.5%	It is a defect that will not result in functioning problem with deviation classified.



**18.3 Inspection Parameters**

Item		Specification/Description			Note	
Display	Function	No Display			-	
		Malfunction			-	
Operating	Contrast ratio	Out of Spec			-	
	Line defect	No obvious Vertical and Horizontal line defect in bright , dark and colored.			-	
	Point Defect (red,green,blue,dark, white)	Item	Acceptable number			Note: 1、4、 5、6
			A	B	Total	
		BRIGHT DOT	$N \leq 0$	$N \leq 2$	$N \leq 6$	
		DARK DOT	$N \leq 2$	$N \leq 4$		
		TOTAL DOT	$N \leq 2$	$N \leq 4$		
		TWO ADJACENT DOT	NOT ALLOWED			
THREE OR MORE ADJACENT DOT	NOT ALLOWED					
External Inspection (non-operating)	Scratch on the polarizer	L(mm)	W(mm)	Acceptable number	Note:2	
		$L \leq 2.5$	$W \leq 0.1$	3		
		$L > 2.5$	$W > 0.1$	0		
	Dent or bubble on the polarizer	Dimension(mm)		Acceptable number		Note:3
		$D \leq 0.3$		3		
		$D \leq 0.1$		Disregard		
	Foreign material on the polarizer	Dimension(mm)		Acceptable number		Note:3
		$D \leq 0.5$		2		
		$D \leq 0.1$		Disregard		



**Incoming Inspection Touch Panel**

Circular Defects  
Linear Defects  
Scratch  
Air Bubble  
Crack

(1) Circular Defects

$$\phi = (L+W)/2$$

Diameter(mm)	Spec
$\phi \leq 0.2$	No quantity limit
$0.2 < \phi < 0.4$	Max 5defect
$0.4 \leq \phi$	Reject

(2) Linear Defects



Length	Width	Acceptable
$6.0 \geq L$	$0.06 \geq W$	Accept
$L \geq 6.0$	$W \geq 0.06$	Reject

(3) Scratch

Length	Width	Acceptable
$12.0 \geq L$	$0.06 \geq W$	Accept
$L \geq 12.0$	$W \geq 0.06$	Reject

The Min distance of defects must be above 5.0mm.

(4) Air Bubble

Diameter(mm)	Spec
$\phi \leq 0.2$	No quantity limit
$0.2 < \phi \leq 0.6$	Max 5 defect

The Min distance of defects must be above 5.0mm.

(5)Crack **Reject**

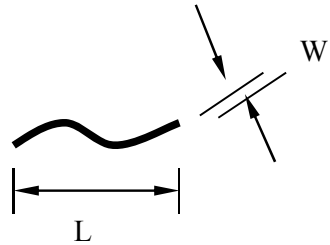




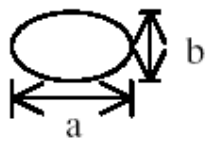
Note1. The definition of dot defect :

The dot defect was judged after repair and the size of a defective dot over 1/2 of whole dot is regarded as one defective dot.

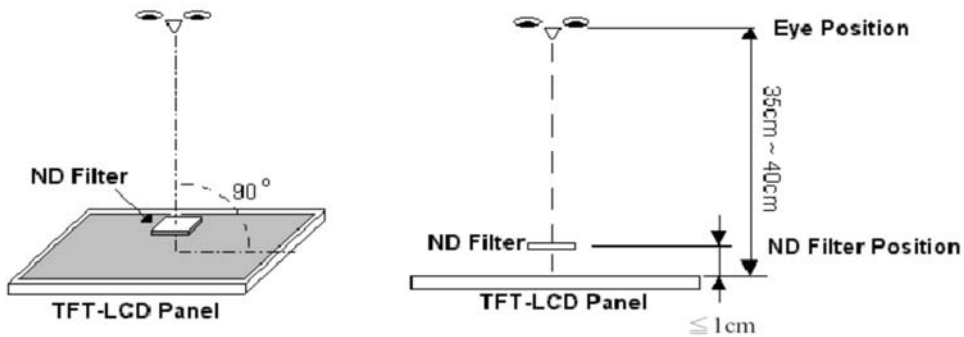
Note2.



Note3. D : Diameter  $D=(a+b)/2$



Note4. Bright dot is defined through 6% transmission ND Filter as following.

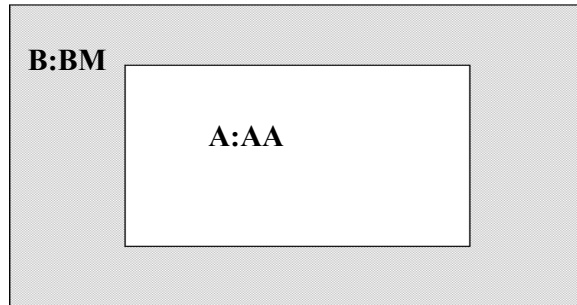


Note5. ADJACENT DOT





Note6.



### **18.4 Handling of LCM**

- (1) Don't give external shock.
- (2) Don't apply excessive force on the surface.
- (3) Liquid in LCD is hazardous substance. Must not lick and swallow. when the liquid is attach to your hand, skin, cloth etc. Wash it out thoroughly and immediately.
- (4) Don't operate it above the absolute maximum rating.
- (5) Don't disassemble the LCM.