

GSX-200

32.768kHz CM200C Watch Crystal

- Compatible with Epson Toyocom MC-306, KDS DMX-26S, FSRLF, E1WS, SMQ32SL, RSM200S etc
- Low profile plastic moulded package
- Miniature size for high density applications
- Industrial temperature range
- 6pF version available for Dallas RTC



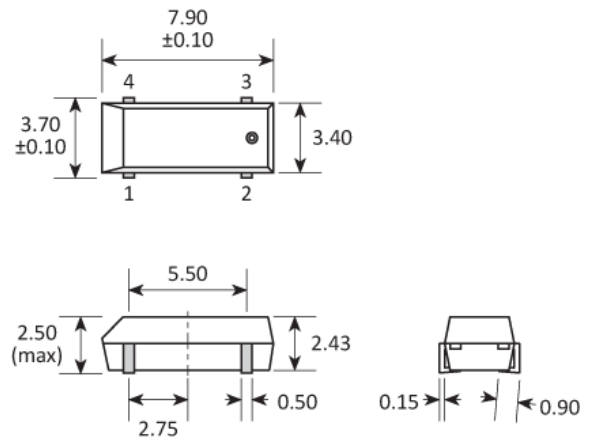
CONFIGURABLE OPTIONS

Parameter	Option Code
Calibration tolerance	
±20ppm	specify
Circuit condition	
Any	
12.5pF	
6pF	D

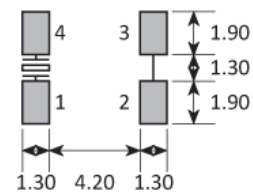
SPECIFICATIONS

Frequency	32.768kHz
Dimensions	7.9 x 3.7 x 2.5mm
Temperature stability	-50ppm (-10 to +60°C) -130ppm (-30 to +80°C)
Operating temperature range	-40 to +85°C
Storage temperature range	-55 to +125°C
Turnover temperature (T ₀)	+25°C ±5°C
Frequency / temp coefficient	-0.034±0.006ppm/°C ² typ
Static capacitance (C ₀)	1.35pF typ
Motional capacitance (C ₁)	3.0fF typ
Equivalent series resistance	50kΩ max @ 25°C
Ageing	±3ppm max first year
Drive level	1.0μW typ
Shock resistance	±5ppm max
Soldering conditions	260°C, 10sec max

PACKAGE DRAWING



SOLDER PAD LAYOUT



TOP VIEW

Dimensions in mm

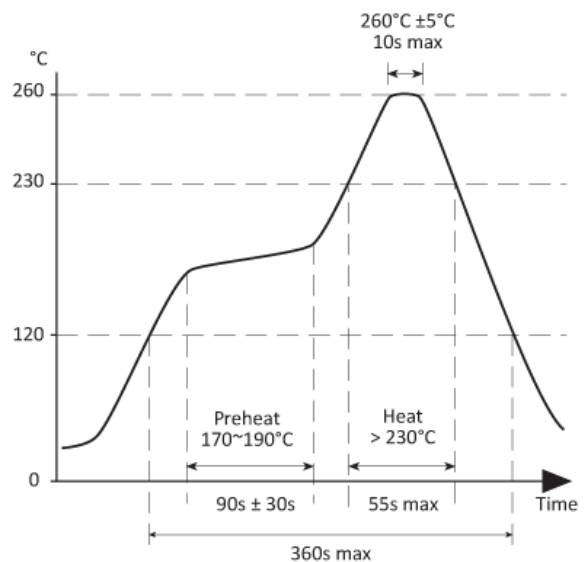
ORDERING INFORMATION

To request a quotation for the GSX-200 please use the configurable options form to choose the options you require and then submit your configured product to our team. Our expert advisers are always happy to help with your requirements and can be contacted on +44 1460 256 100 or at sales@golledge.com.

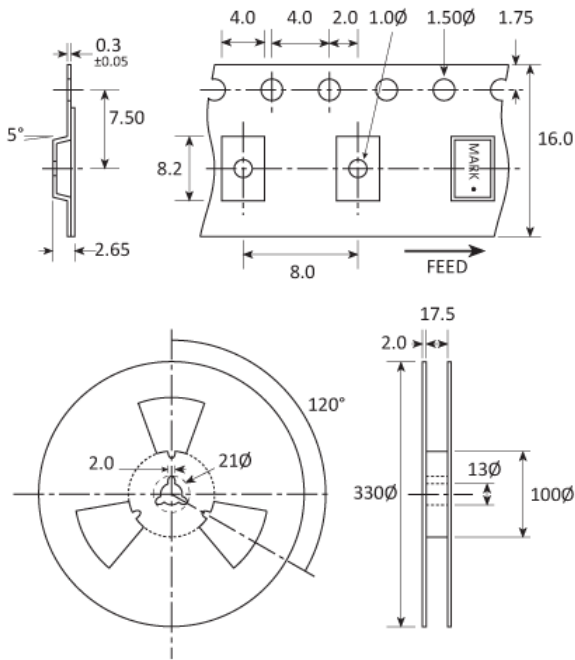
Following product selection you will be issued with a seven character Golledge part number. Your Golledge part number is the internationally accepted Golledge manufacturing part number (MPN) that should be used for all project documentation, including bills of materials (BoMs) and purchase orders.

If you have any queries regarding any of our documentation our dedicated sales team will be happy to help.

SOLDERING PROFILE



TAPE & REEL SPECIFICATION



Dimensions in mm

HANDLING & STORAGE



Human Body Model (HBM) 1A (250V to <500V)



Moisture Sensitivity Level (MSL): 1 (or not applicable)

CONSTRUCTION

Plastic moulded surface mount package

Industry standard package

MATERIAL COMPOSITION



RoHS 2 compliant with no exemptions. [See our declaration](#)



REACH compliant. [See our statement](#)



Free of conflict minerals. [See our declaration](#)



Free of Halogens. [See our declaration](#)



Free of Ozone-depleting substances. [See our declaration](#)



Nominal Net Mass: 150mg

COMPOSITION

MCDFamily GSX-200.pdf

OTHER INFORMATION

About Golledge

We are the UK's leading supplier of frequency control products and are proud to serve the global electronics industry. Our philosophy is a focus firmly on your requirements by striving to meet and exceed your needs. We do this by ensuring the utmost quality and consistency in our products and services. If you have any queries about the Golledge service or any of our products please get in touch, we'd love to hear from you.

Come and visit

Eaglewood Park, ILMINSTER,
Somerset, TA19 9DQ, England

Give us a call

Tel: +44 1460 256 100
Fax: +44 1460 256 101

Email us

sales@golledge.com

Our Worldwide Distributors

Belgium & Luxembourg

Alcom Electronics NV/SA



Email info@alcom.be
Web www.alcom.be
Tel +32 (0)3 458.30.33

China, Hong Kong - 中国 / 香港

Meiya China



Email sales@meiyatech.com
Web www.meiyatech.com
Tel +86 755 2823 1923

France

Equipments Scientifique



Email comp@es-france.com
Web www.es-france.com
Tel +33 1 47 95 99 89

Germany

MEV Elektronik Service GmbH



Email info@mev-elektronik.com
Web www.mev-elektronik.com
Tel +49 54 24 23 40-0

India

V5 Semiconductors



Email sales@v5semiconductors.com
Web v5semiconductors.com
Tel +91-80-2661 0621

Israel

Phoenix Technologies Ltd



Email sales@phnx.co.il
Web www.phnx.co.il
Tel +972 9 764 4800

Netherlands

Alcom Electronics BV



Email info@alcom.nl
Web alcom.nl
Tel +31 (0)10 288.25.00

Norway

Link Nordic



Email bjorn.nyjordet@linknordic.com
Web linknordic.com
Tel +47 93 22 68 90

Russia - Россия

EFO Ltd



Email elena@efo.ru
Web www.golledge.ru
Tel +7(812)327-8654

Spain & Portugal

R.C. Microelectronica, S.A.



Email ventas@rcmicro.es
Web www.rcmicro.es
Tel +34 93 260 21 66

Our customer feedback is testament to our quality; "Never had such good service as this from anyone in 35 years of being in the industry, this is impressive and has really helped us out of a corner to keep the design flowing" Andy (Senior Design Engineer), "As always your support is state of the art" Nicoleta (Material Management), "Legendary work - as usual it has to be said" John (Operations).

To take advantage of our highly praised service get in touch with us today.