

PLEASE CHECK WWW.MOLEX.COM FOR LATEST PART INFORMATION

Part Number: [0472720028](#)
Status: **Active**
Overview: [displayport](#)
Description: 0.50mm (.020") Pitch DisplayPort* Male Receptacle, Right Angle, SMT, Gold (Au) Flash Plating, 20 Circuits, without Cover, with Mylar, Flange, Latch Holes, Peg and Solder Tab of Shell, Leadfree

Documents:

[Drawing \(PDF\)](#) [RoHS Certificate of Compliance \(PDF\)](#)

General

Product Family	I/O Connectors
Series	47272
Application	Wire-to-Board
Comments	Through Hole Peg of Shell
Component Type	Receptacle
Overview	displayport
Product Name	DisplayPort*
Type	N/A

Physical

Boot Color	N/A
Circuits (Loaded)	20
Circuits (maximum)	20
Color - Resin	Black
Gender	Male
Keying to Mating Part	Yes
Lock to Mating Part	Yes
Material - Metal	Copper Alloy
Material - Plating Mating	Gold
Material - Plating Termination	Tin-Bismuth
Material - Resin	High Temperature Thermoplastic
Number of Rows	2
Orientation	Right Angle
PCB Locator	Yes
PCB Retention	Yes
Packaging Type	Embossed Tape on Reel
Panel Mount	With Flange
Pitch - Mating Interface (in)	0.039 In
Pitch - Mating Interface (mm)	0.50 mm
Pitch - Term. Interface (in)	0.039 In
Pitch - Term. Interface (mm)	0.50 mm
Plating min: Mating (µin)	2
Plating min: Mating (µm)	0.05
Plating min: Termination (µin)	40
Plating min: Termination (µm)	1
Polarized to Mating Part	Yes
Polarized to PCB	Yes
Ports	1
Temperature Range - Operating	-20°C to +85°C
Termination Interface: Style	Surface Mount
Waterproof / Dustproof	No

Electrical

Current - Maximum per Contact	0.5A
Grounding to Panel	Yes



image - Reference only

Series

EU RoHS

**ELV and RoHS
Compliant**
**REACH SVHC
Not Reviewed**
**Halogen-Free
Status**

China RoHS



**Need more information on product
environmental compliance?**

Email productcompliance@molex.com
 For a multiple part number RoHS Certificate of Compliance, [click here](#)

Please visit the [Contact Us](#) section for any non-product compliance questions.

Search Parts in this Series

[47272Series](#)

Mates With

[47271](#) Plug Sub-Assemblies, [68783](#) Cable Series

Shielded
Voltage - Maximum

Yes
40V AC

Material Info

Reference - Drawing Numbers

Packaging Specification

PK-47272-003

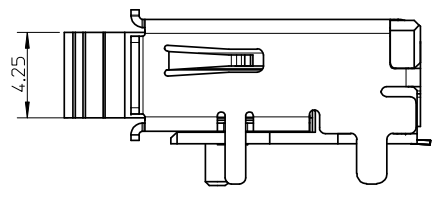
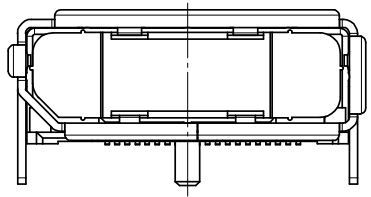
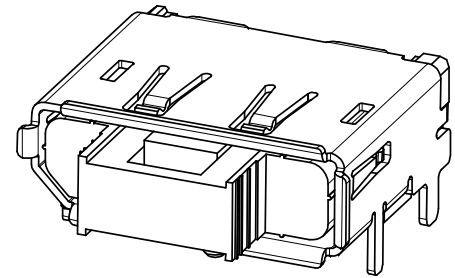
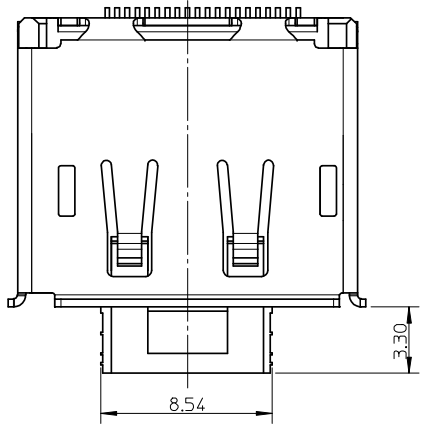
* DisplayPort is a Trademark of VESA

This document was generated on 05/19/2010

PLEASE CHECK WWW.MOLEX.COM FOR LATEST PART INFORMATION

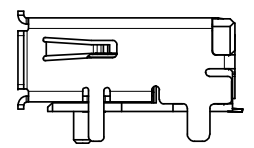
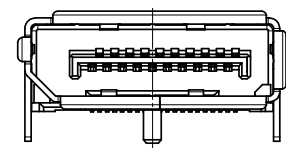
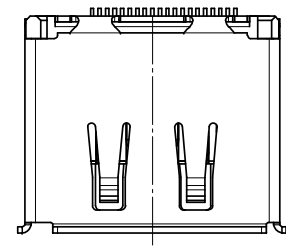
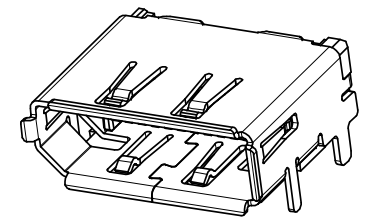
10 9 8 7 6 5 4 3 2 1

WITH COVER



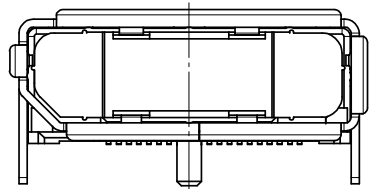
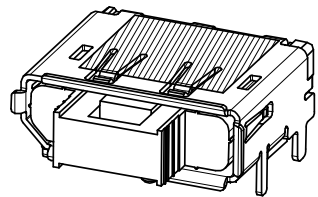
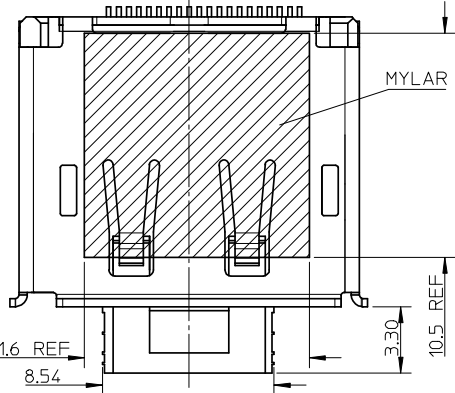
NOTES:
 1.UNSPECIFIED DIMENSION ARE SAME AS SHEET1
 2.CONNECTOR WITH COVER IS USED FOR WARE SOLDERING PEG

WITHOUT LATCH HOLE



NOTES:
 1.UNSPECIFIED DIMENSION ARE SAME AS SHEET1

WITH COVER AND MYLAR



NOTES:
 1.UNSPECIFIED DIMENSION ARE SAME AS SHEET1
 2.CONNECTOR WITH COVER IS USED FOR WARE SOLDERING PEG

NEW RELEASE	EC NO: SH2009-0038	2008/08/05
	DRW:JHE	2008/08/06
	CHKD:RZHANG	2008/08/06
	APPR:HWANG	2008/08/21
	A4.4	REV

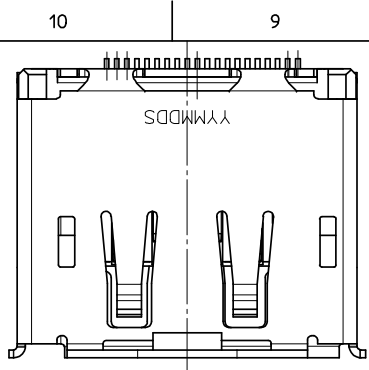
QUALITY SYMBOLS	DESCRIPTION
▽=0	
∇=0	

GENERAL TOLERANCES (UNLESS SPECIFIED)	
	mm INCH
4 PLACES	± --- ± ---
3 PLACES	± --- ± ---
2 PLACES	± 0.25 ± ---
1 PLACE	± 0.25 ± ---
ANGULAR ± 3 °	
DRAFT WHERE APPLICABLE MUST REMAIN WITHIN DIMENSIONS	

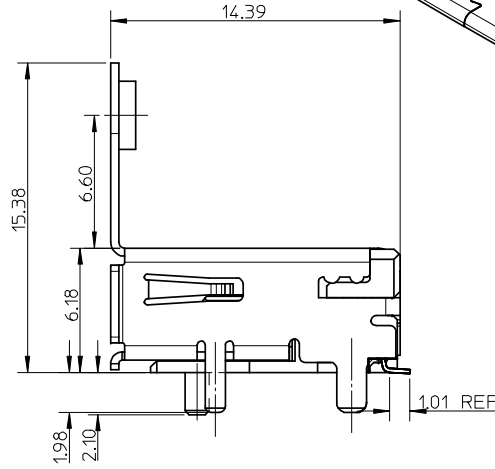
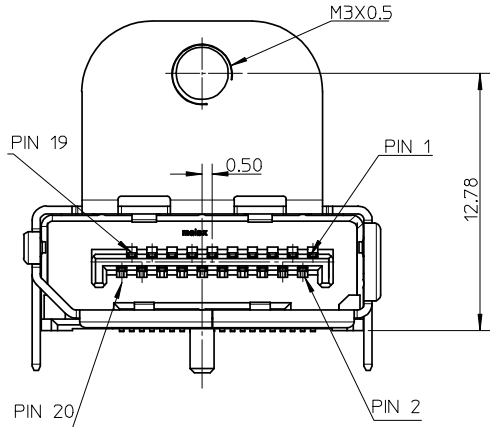
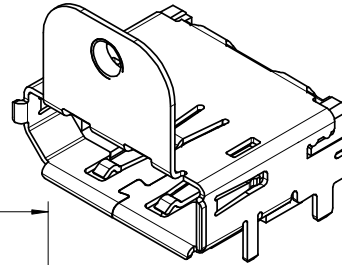
DIMENSION STYLE	
MM ONLY	
DRAWN BY	DATE
RZHANG	2005/07/01
CHECKED BY	DATE
IWANG	2005/07/01
APPROVED BY	DATE
JNCHEN	2005/07/01
MATERIAL NO.	
SEE SHEETS 5	
SIZE	A3

SCALE	1:1
DESIGN UNITS	METRIC
THIRD ANGLE PROJECTION	
TITLE	
1.0MM PITCH DISPLAY PORT RECEPTACLE ASSEMBLY	
MOLEX INCORPORATED	
DOCUMENT NO.	SD-47272-001
SHEET NO.	2 OF 7
THIS DRAWING CONTAINS INFORMATION THAT IS PROPRIETARY TO MOLEX INCORPORATED AND SHOULD NOT BE USED WITHOUT WRITTEN PERMISSION	

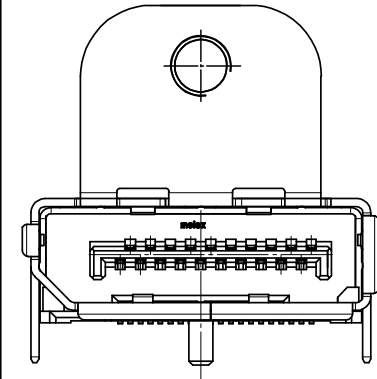
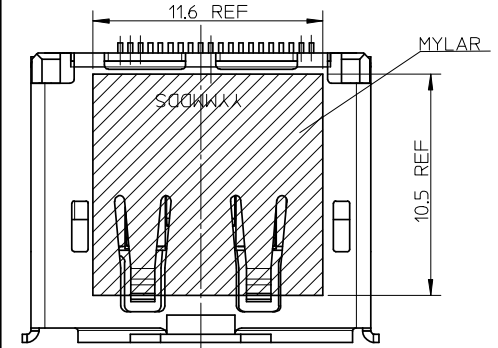
9 8 7 6 5 4 3



WITH FLANGE AND THROUGH HOLE PEG

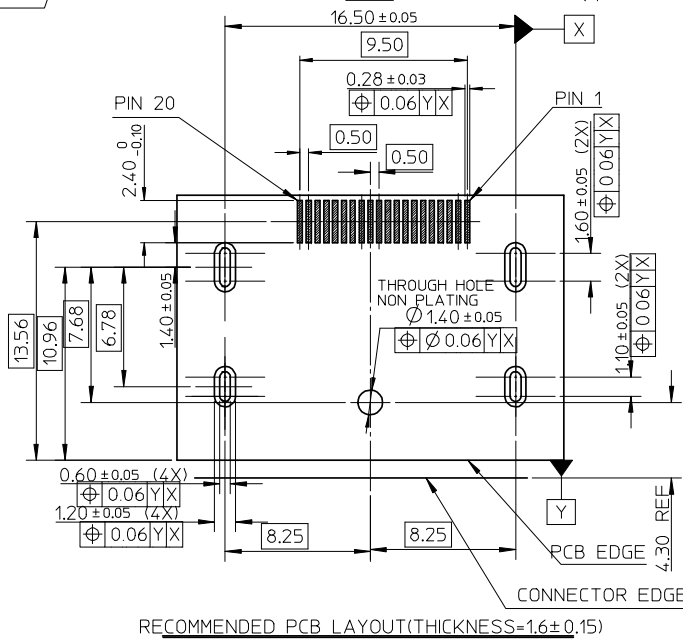


WITH MYLAR



NOTES:
UNSPECIFIED DIMENSION ARE SAME AS SHEET1

NOTES:
UNSPECIFIED DIMENSION ARE SAME AS SHEET1



NEW RELEASE
EC NO: SH2009-0038
DRWN:HE 2008/08/05
CHKD:RZHANG 2008/08/06
APPR:HWANG 2008/08/21

QUALITY SYMBOLS
▽=0
∇=0

GENERAL TOLERANCES (UNLESS SPECIFIED)

	mm	INCH
4 PLACES	± ---	± ---
3 PLACES	± ---	± ---
2 PLACES	± 0.25	± ---
1 PLACE	± 0.25	± ---

ANGULAR ± 3 °

DRAFT WHERE APPLICABLE MUST REMAIN WITHIN DIMENSIONS

DIMENSION STYLE
MM ONLY

DRAWN BY	DATE
RZHANG	2005/07/01
CHECKED BY	DATE
IWANG	2005/07/01
APPROVED BY	DATE
JNCHEN	2005/07/01

MATERIAL NO. SEE SHEETS

SCALE 1:1
DESIGN UNITS METRIC
THIRD ANGLE PROJECTION

TITLE
1.0MM PITCH DISPLAY PORT RECEPTACLE ASSEMBLY

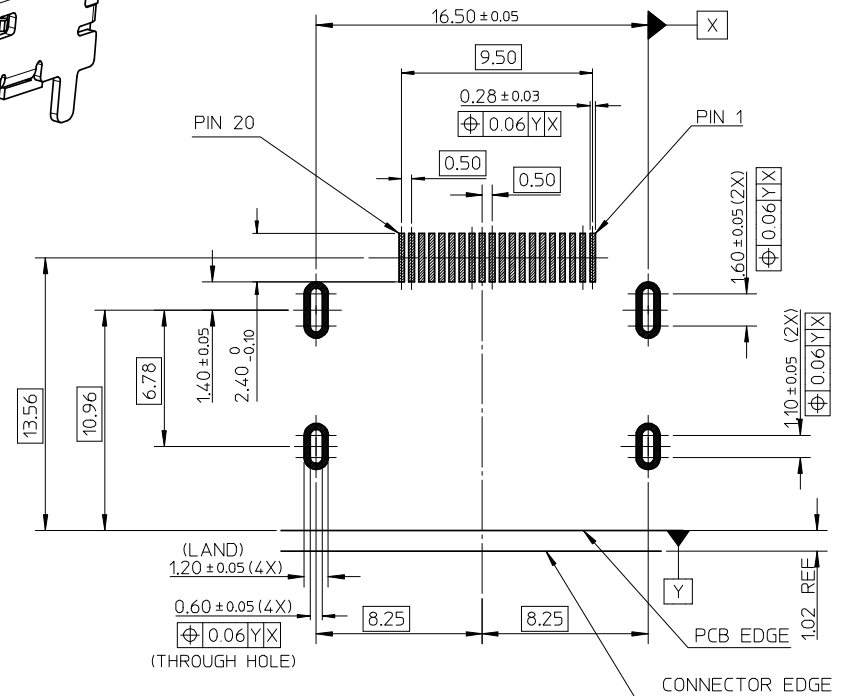
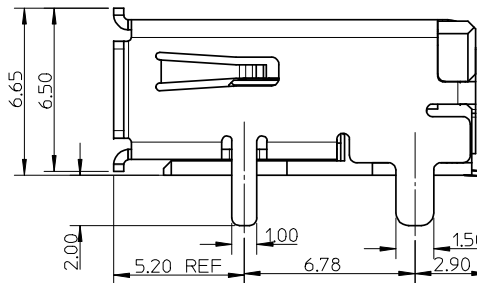
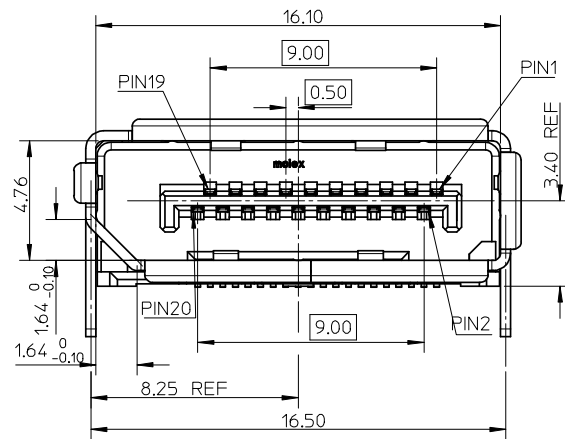
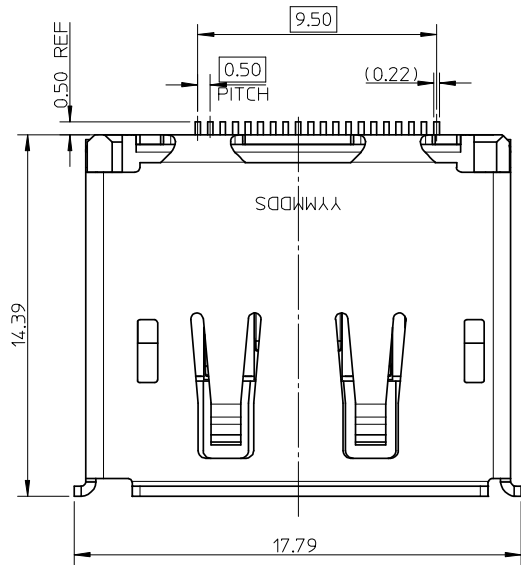
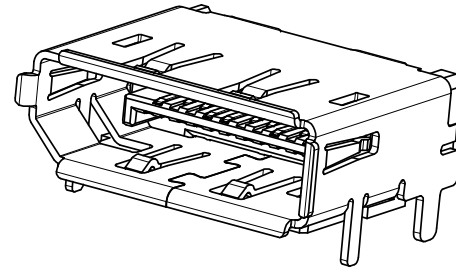
MOLEX INCORPORATED
DOCUMENT NO. SD-47272-001
SHEET NO. 3 OF 7

THIS DRAWING CONTAINS INFORMATION THAT IS PROPRIETARY TO MOLEX INCORPORATED AND SHOULD NOT BE USED WITHOUT WRITTEN PERMISSION

10	9	8	7	6	5	4	3	2	1		
ASSEMBLY NO.	WITH COVER	WITH FLANGE	SMT PEG OF SHELL	THROUGH HOLE PEG OF SHELL	GOLD PLATING IN CONTACT AREA	SHELL PLATING	WITH LATCH HOLE	MYLAR	POST	PACKAGE METHOD	REMARK
47272-0001	WITHOUT	WITHOUT	/	WITH	SEE NOTE2(1)	SEE NOTE2(a)	WITH	WITHOUT	WITH		WITH EMI SHIELD FOR SHEET 1
47272-0002	WITHOUT	WITHOUT	/	WITH	SEE NOTE2(1)	SEE NOTE2(a)	WITH	WITHOUT	WITH		
47272-0011	WITHOUT	WITHOUT	/	WITH	SEE NOTE2(2)	SEE NOTE2(a)	WITH	WITHOUT	WITH		
47272-0021	WITHOUT	WITHOUT	/	WITH	SEE NOTE2(3)	SEE NOTE2(a)	WITH	WITHOUT	WITH		FOR SHEET 2
47272-0003	WITHOUT	WITHOUT	/	WITH	SEE NOTE2(1)	SEE NOTE2(a)	WITHOUT	WITHOUT	WITH		
47272-1002	WITH	WITHOUT	/	WITH	SEE NOTE2(1)	SEE NOTE2(a)	WITH	WITHOUT	WITH		
47272-0012	WITH	WITHOUT	/	WITH	SEE NOTE2(2)	SEE NOTE2(a)	WITH	WITHOUT	WITH		
47272-0022	WITH	WITHOUT	/	WITH	SEE NOTE2(3)	SEE NOTE2(a)	WITH	WITHOUT	WITH		FOR SHEET 3
47272-0024	WITH	WITHOUT	/	WITH	SEE NOTE2(1)	SEE NOTE2(a)	WITH	WITH	WITH		
47272-0004	WITH	WITH	/	WITH	SEE NOTE2(1)	SEE NOTE2(c)	WITH	WITHOUT	WITH		
47272-1004	WITHOUT	WITH	/	WITH	SEE NOTE2(1)	SEE NOTE2(c)	WITH	WITHOUT	WITH		
47272-0025	WITHOUT	WITH	/	WITH	SEE NOTE2(1)	SEE NOTE2(c)	WITH	WITH	WITH		FOR SHEET 4
47272-0028	WITHOUT	WITH	/	WITH	SEE NOTE2(3)	SEE NOTE2(c)	WITH	WITH	WITH		
47272-1005	WITHOUT	WITH	SMT PEG	/	SEE NOTE2(1)	SEE NOTE2(c)	WITH	WITHOUT	WITH		
47272-0023	WITHOUT	WITH	SMT PEG	/	SEE NOTE2(1)	SEE NOTE2(c)	WITH	WITH	WITH		
47272-0026	WITHOUT	WITHOUT	/	WITH	SEE NOTE2(1)	SEE NOTE2(a)	WITH	WITHOUT	WITHOUT		FOR SHEET 6
47272-0027	WITH	WITH	/	WITH	SEE NOTE2(1)	SEE NOTE2(c)	WITH	WITH	WITH		FOR SHEET 7

NEW RELEASE EC NO: SH2009-0038 DRWN: HHE CHKD: RZHANG APPR: HWANG	2008/08/05 2008/08/06 2008/08/21	DESCRIPTION REV	QUALITY SYMBOLS	GENERAL TOLERANCES (UNLESS SPECIFIED)	DIMENSION STYLE	SCALE	DESIGN UNITS	THIRD ANGLE PROJECTION		
			$\nabla=0$ $\square=0$	mm INCH 4 PLACES ± --- ± --- 3 PLACES ± --- ± --- 2 PLACES ± 0.25 ± --- 1 PLACE ± 0.25 ± --- ANGULAR ± 3 °	MM ONLY	1:1	METRIC	DRAWN BY: RZHANG DATE: 2005/07/01 CHECKED BY: IWANG DATE: 2005/07/01 APPROVED BY: JNCHEN DATE: 2005/07/01	TITLE	1.0MM PITCH DISPLAY PORT RECEPTACLE ASSEMBLY
				DRAFT WHERE APPLICABLE MUST REMAIN WITHIN DIMENSIONS	SEE CHART	MATERIAL NO.	DOCUMENT NO.	MOLEX INCORPORATED SD-47272-001	SHEET NO.	5 OF 7
			A4.4			SIZE	THIS DRAWING CONTAINS INFORMATION THAT IS PROPRIETARY TO MOLEX INCORPORATED AND SHOULD NOT BE USED WITHOUT WRITTEN PERMISSION			

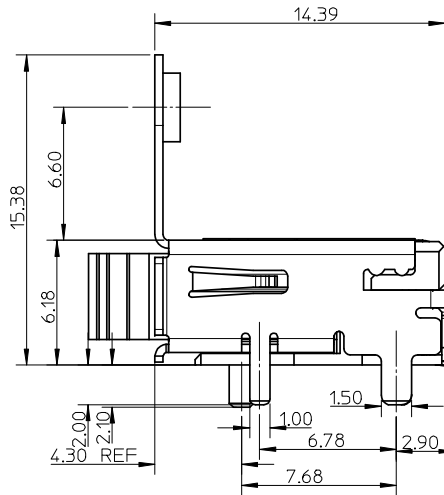
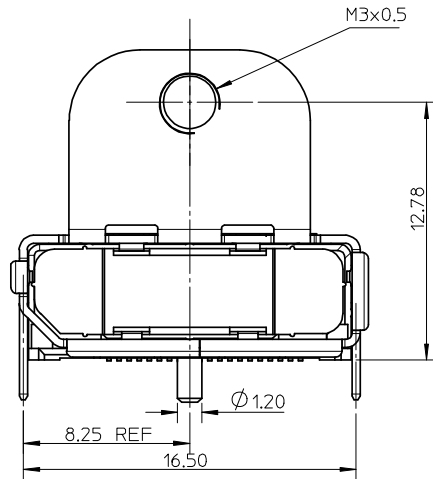
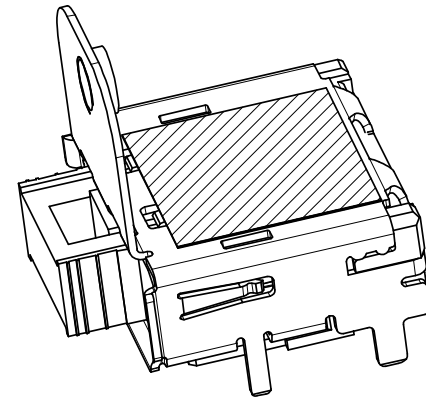
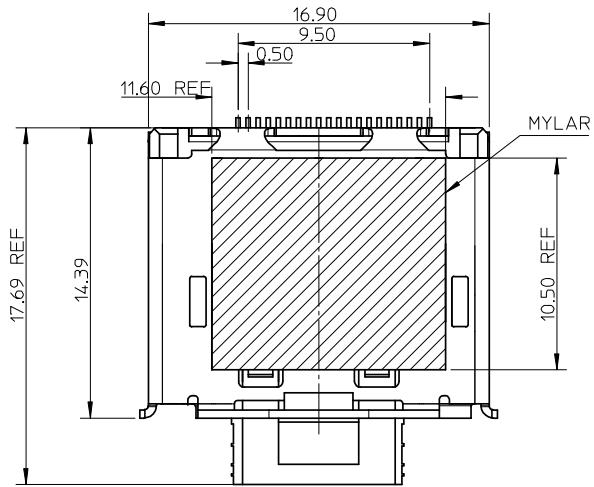
WITHOUT POST



RECOMMENDED PCB LAYOUT (THICKNESS=1.6±0.15)

NOTES:
UNSPECIFIED DIMENSION ARE SAME AS SHEET1

<p>NEW RELEASE EC NO: SH2009-0038 DRW:HHH 2008/08/05 CHKD:RZHANG 2008/08/06 APPR:HWANG 2008/08/21</p>	QUALITY SYMBOLS	GENERAL TOLERANCES (UNLESS SPECIFIED)	DIMENSION STYLE	SCALE	DESIGN UNITS	THIRD ANGLE PROJECTION															
	<p>▽=0 ∇=0</p>	<table border="1"> <thead> <tr> <th></th> <th>mm</th> <th>INCH</th> </tr> </thead> <tbody> <tr> <td>4 PLACES</td> <td>± ---</td> <td>± ---</td> </tr> <tr> <td>3 PLACES</td> <td>± ---</td> <td>± ---</td> </tr> <tr> <td>2 PLACES</td> <td>± 0.25</td> <td>± ---</td> </tr> <tr> <td>1 PLACE</td> <td>± 0.25</td> <td>± ---</td> </tr> </tbody> </table>		mm	INCH	4 PLACES	± ---	± ---	3 PLACES	± ---	± ---	2 PLACES	± 0.25	± ---	1 PLACE	± 0.25	± ---	MM ONLY	1:1	METRIC	
		mm	INCH																		
	4 PLACES	± ---	± ---																		
3 PLACES	± ---	± ---																			
2 PLACES	± 0.25	± ---																			
1 PLACE	± 0.25	± ---																			
DESCRIPTION	ANGULAR ± 3 °	DRAWN BY	DATE	TITLE																	
REV	DRAFT WHERE APPLICABLE MUST REMAIN WITHIN DIMENSIONS	RZHANG	2005/07/01	1.0MM PITCH DISPLAY PORT RECEPTACLE ASSEMBLY																	
		CHECKED BY	DATE	MOLEX INCORPORATED																	
		IWANG	2005/07/01	DOCUMENT NO. SD-47272-001																	
		APPROVED BY	DATE	SHEET NO. 6 OF 7																	
		JNCHEN	2005/07/01	THIS DRAWING CONTAINS INFORMATION THAT IS PROPRIETARY TO MOLEX INCORPORATED AND SHOULD NOT BE USED WITHOUT WRITTEN PERMISSION																	
		MATERIAL NO.																			
		SIZE																			
		A4.4																			



NOTES:

1. UNSPECIFIC DIMENSION ARE SAME AS SHEET1
2. THE RECOMMENDER PCB ARE SAME AS SHEET1

<p>NEW RELEASE EC NO: SH2009-0038 DRWN: HHE CHKD: RZHANG APPR: HWANG</p>	<p>2008/08/05 2008/08/06 2008/08/21</p>	<p>DESCRIPTION REV</p>	QUALITY SYMBOLS	GENERAL TOLERANCES (UNLESS SPECIFIED)	DIMENSION STYLE	SCALE	DESIGN UNITS	THIRD ANGLE PROJECTION																									
			<p>▽=0 □=0</p>	<table border="1"> <thead> <tr> <th></th> <th>mm</th> <th>INCH</th> </tr> </thead> <tbody> <tr> <td>4 PLACES</td> <td>± ---</td> <td>± ---</td> </tr> <tr> <td>3 PLACES</td> <td>± ---</td> <td>± ---</td> </tr> <tr> <td>2 PLACES</td> <td>± 0.25</td> <td>± ---</td> </tr> <tr> <td>1 PLACE</td> <td>± 0.25</td> <td>± ---</td> </tr> </tbody> </table>		mm	INCH	4 PLACES	± ---	± ---	3 PLACES	± ---	± ---	2 PLACES	± 0.25	± ---	1 PLACE	± 0.25	± ---	MM ONLY	1:1	METRIC											
				mm	INCH																												
			4 PLACES	± ---	± ---																												
3 PLACES	± ---	± ---																															
2 PLACES	± 0.25	± ---																															
1 PLACE	± 0.25	± ---																															
	<table border="1"> <thead> <tr> <th></th> <th>mm</th> <th>INCH</th> </tr> </thead> <tbody> <tr> <td>4 PLACES</td> <td>± ---</td> <td>± ---</td> </tr> <tr> <td>3 PLACES</td> <td>± ---</td> <td>± ---</td> </tr> <tr> <td>2 PLACES</td> <td>± 0.25</td> <td>± ---</td> </tr> <tr> <td>1 PLACE</td> <td>± 0.25</td> <td>± ---</td> </tr> </tbody> </table>		mm	INCH	4 PLACES	± ---	± ---	3 PLACES	± ---	± ---	2 PLACES	± 0.25	± ---	1 PLACE	± 0.25	± ---	<table border="1"> <thead> <tr> <th>DRAWN BY</th> <th>DATE</th> <th>TITLE</th> </tr> </thead> <tbody> <tr> <td>RZHANG</td> <td>2005/07/01</td> <td rowspan="2">1.0MM PITCH DISPLAY PORT RECEPTACLE ASSEMBLY</td> </tr> <tr> <td>IWANG</td> <td>2005/07/01</td> </tr> <tr> <td colspan="2">APPROVED BY</td> <td></td> </tr> <tr> <td>JNCHEN</td> <td>2005/07/01</td> <td></td> </tr> </tbody> </table>	DRAWN BY	DATE	TITLE	RZHANG	2005/07/01	1.0MM PITCH DISPLAY PORT RECEPTACLE ASSEMBLY	IWANG	2005/07/01	APPROVED BY			JNCHEN	2005/07/01			MOLEX INCORPORATED
	mm	INCH																															
4 PLACES	± ---	± ---																															
3 PLACES	± ---	± ---																															
2 PLACES	± 0.25	± ---																															
1 PLACE	± 0.25	± ---																															
DRAWN BY	DATE	TITLE																															
RZHANG	2005/07/01	1.0MM PITCH DISPLAY PORT RECEPTACLE ASSEMBLY																															
IWANG	2005/07/01																																
APPROVED BY																																	
JNCHEN	2005/07/01																																
A4.4			DRAFT WHERE APPLICABLE MUST REMAIN WITHIN DIMENSIONS	SEE SHEET 5	MATERIAL NO.	DOCUMENT NO.	SHEET NO.																										