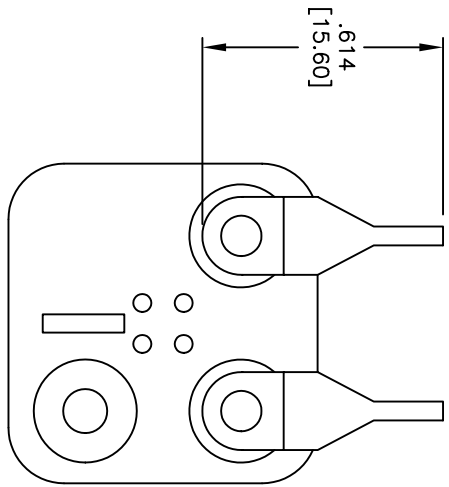
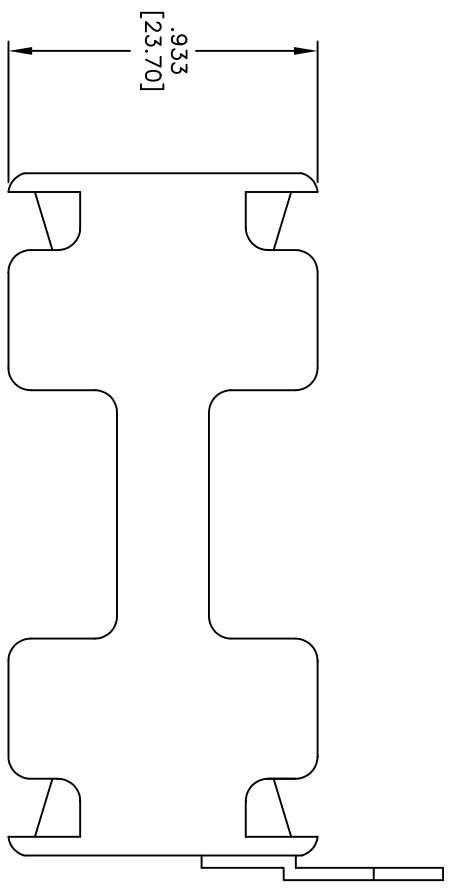
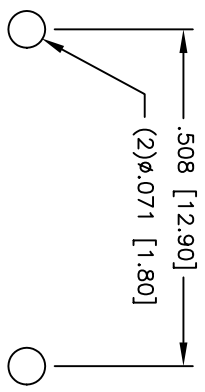
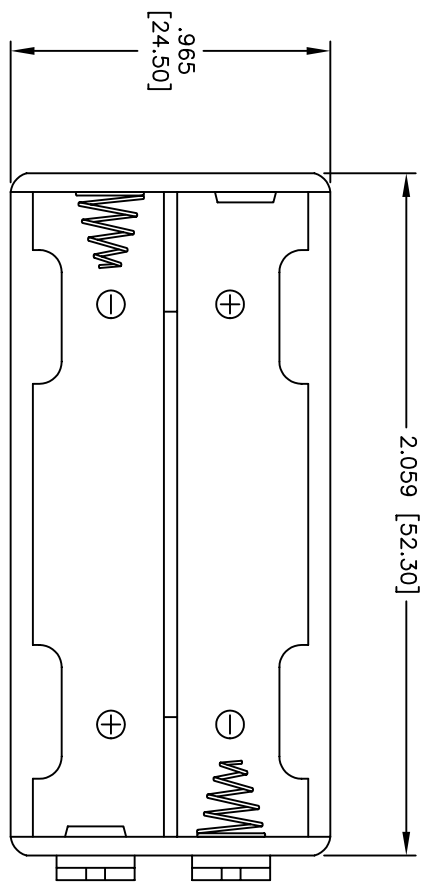


Rev	AWO #	Description	Date	Appr
-		RELEASED	1/19/05	

APPROVED: _____
 DATE: _____ TITLE: _____



SPECIFICATIONS:

Material: Insulator: Impact resistant Polypropylene, rated UL94-HB
 Insulator color: Black
 Spring: Steel, Nickel plated
 Contacts: Steel, Nickel plated
 Electrical:
 Operating voltage: 1.5 VDC max.
 Temperature Rating:
 Operating temperature: -10°C to +80°C
 Environmental:
 Lead free, RoHS compliant
 Recommended soldering temp: 230°C for 5 seconds



UNLESS OTHERWISE SPECIFIED ALL DIMENSIONS ARE INCHES [MM]	
TOLERANCES: EXCEPT AS NOTED	
INCHES	HOLES
.X ± .10	∅XX ± .10
.XX ± .020	∅XXX ± .015
.XXX ± .015	∅XXXX ± .010
APPROVALS	DATE
DRAWN	SS
CHECKED	
APPROVED	

ADAM TECH
 909 Railway Avenue, Union, NJ 07083
 Phone: 908-687-5000 Fax: 908-687-5710

TITLE: BATTERY HOLDER, PCB TERMINALS
 FOR FOUR "AAA" CELLS

SIZE: X PART NO.: BH-11-1
 REF: SCALE: NTS SHEET 1 OF 1

6 5 4 3 2 1