

THIS DRAWING IS UNPUBLISHED.

RELEASED FOR PUBLICATION

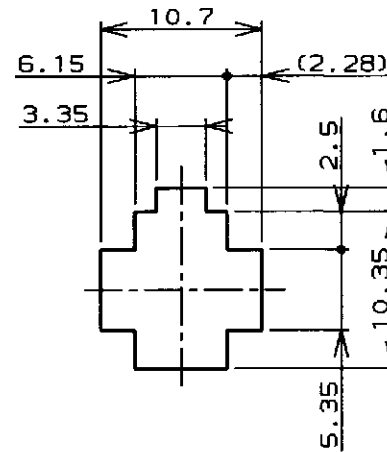
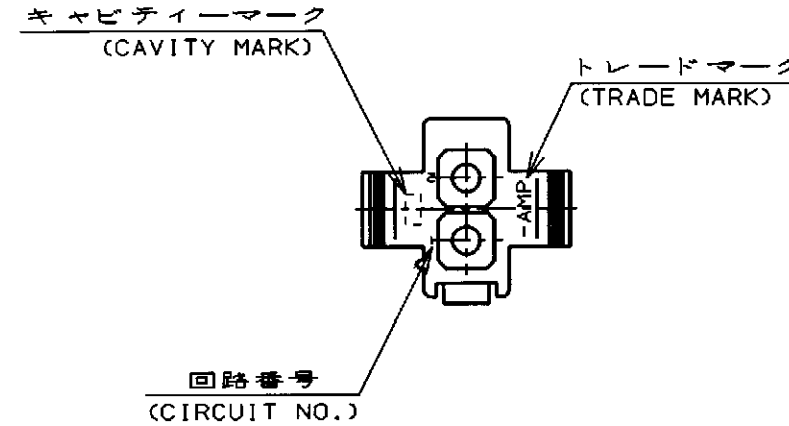
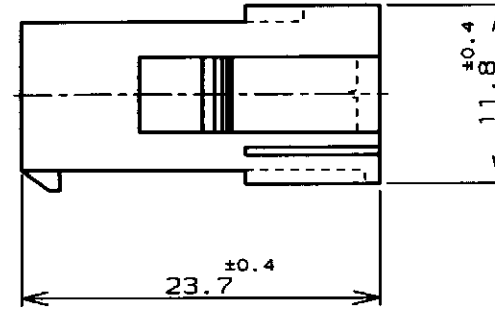
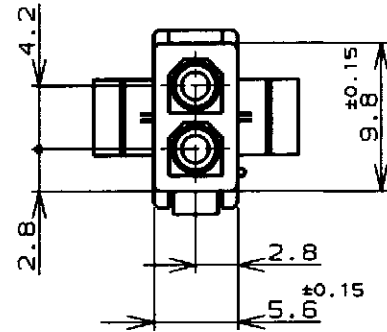
© COPYRIGHT

ALL RIGHTS RESERVED.

LOC DIST

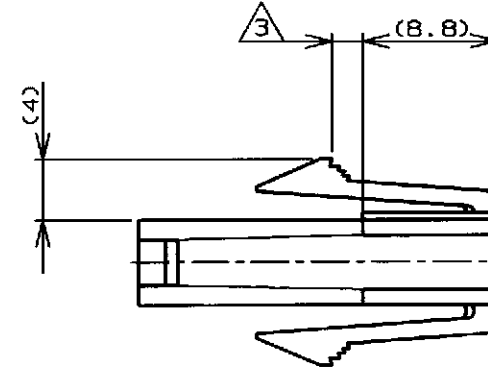
REVISIONS

P	LTR	DESCRIPTION	DATE	DWN	APVD
	D2	REVISED PER ECO-11-005140	30MAR11	RK	HMR



寸法公差は±0.20 (TOLERANCE: ±0.20)

パネル取付穴 (RECOMENDED PANEL OPENING DIMENSION)



注記;

1. 使用端子型番は170359, 170360, 170361, 170362
2. 嵌合相手ハウジング型番は172165
3. 適用パネル厚 0.8-2.0mm
4. 取付穴打抜方向とハウジングの挿入方向は同じとする。

NOTE;

1. APPLICABLE CONT P/N: 170359, 170360, 170361, 170362
2. MATING HSG P/N: 172165
3. APPLICABLE PANEL THICKNESS: 0.8-2.0mm
4. HOUSING INSERTION INTO THE PANEL CUT-OUT MUST BE DONE IN THE SAME DIRECTION WITH PUNCH KNOCKING.
5. OBSOLETE PARTS: OBSOLETE CIS STREAMLINING PER D.RENAUD/D.SINISI

5 OBSOLETE

黒 (BLACK)	1-172157-9
青 (BLUE)	1- -6
緑 (GREEN)	1- -5
赤 (RED)	1- -2
自然色 (NATURAL)	172157-1
色 (COLOR)	型番 (P/N)
WIRE RANGE 挿合電線断面積	INSULATION DIA 被覆外径

DOWNSIDE M. Yamazaki 8 Jun '98		TE Connectivity	
CHECKED M. Shi 15 Jun '98			
APPROVED M. Shi 15 Jun '98		NAME 名称	
PRODUCT SPEC 製品規格		2極ミニユニバーサルメイトンロックキャップハウジング (UL94V-0)	
INSTRUCTION SHEET 取り扱い説明書		2Pos MINI UNIVERSAL MATE-N-LOCK CONN. CAP HOUSING (UL94V-0)	
WEIGHT		SIZE	RESTRICTED TO
MATERIAL 材料		CAGE CODE	DRAWING NO
66ナイロン UL94V-0 (66NYLON UL94V-0)		A3 00779	C= 172157
FINISH 仕上		SCALE	
//		尺度 2-1	
DIMENSIONS 単位: 概 mm		SHEET	
TOLERANCES UNLESS OTHERWISE SPECIFIED 一般公差 (GENERAL TOLERANCE)		1 OF 1	
±0.3		REV D2	
CUSTOMER DRAWING		参考図面	