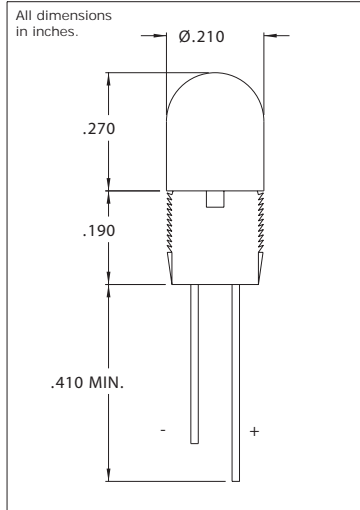




5200F Series Panel Mounted LED Indicator Light

DESCRIPTION AND FEATURES



Features

- Quick push-in panel mounting.
- Attractive appearance.
- Wide angle visibility.
- High-intensity light output (GaAsP on GaP for red and yellow, GaP for green.)

These assemblies offer the superior performance of SUPER BRITE LEDs in a package that is economical to buy and install.

Mounting: Will snap-fit into \varnothing .187/.192 hole in panels .020/.097 thick

Lens: Polycarbonate

ELECTRO-OPTICAL CHARACTERISTICS

Part Number	Color	Typ. Intensity (mcd)	Rated Current (mA)	Continuous Forward Current Max. (mA)	Forward Voltage Typ. (V)	Forward Voltage Max. (V)	Peak Forward Current @ 1ms-300pps (A)	Reverse Break-down Voltage Min. (V)
5200F1	Red	6	10	30	2.0	3.0	1.0	5
5200F5	Green	12	20	30	2.2	3.0	.09	5
5200F7	Yellow	20	20	30	2.1	3.0	1.0	5