

# Specification of

## 1Gb (32Mx32bit) Mobile SDRAM

### Memory Cell Array

- Organized as 4banks of 8,388,608 x32

**Document Title**  
4Bank x 8M x 32bit Synchronous DRAM

**Revision History**

| Revision No. | History  | Draft Date | Remark      |
|--------------|--|------------|-------------|
| 0.1          | Initial Draft  | Sep. 2007  | Preliminary |
| 0.2          | Modify : IDD5 : 100mA --> 120mA<br>IDD6 (@45°C, Full Bank) : 450uA --> 500uA                   | Jan. 2008  | Preliminary |
| 1.0          | Final Version  | Mar. 2008  |             |
| 1.1          | Modify : IDD6 (@45°C, Full Bank) : 500uA --> 450uA<br>IDD6 (@85°C, One Bank) : 550uA --> 500uA | May 2008   |             |
| 1.2          | Modify : tRAS (166MHz/133Mhz: 42ns/45ns)   | Jun. 2008  |             |

## DESCRIPTION

The Hynix H55S1G(2/3)2MFP is suited for non-PC application which use the batteries such as PDAs, 2.5G and 3G cellular phones with internet access and multimedia capabilities, mini-notebook, handheld PCs.

The Hynix 1Gb Mobile SDRAM is 1,073,741,824-bit CMOS Mobile Synchronous DRAM(Mobile SDR), ideally suited for the main memory applications which requires large memory density and high bandwidth. It is organized as 4banks of 8,398,608x32.

Mobile SDRAM is a type of DRAM which operates in synchronization with input clock. The Hynix Mobile SDRAM latch each control signal at the rising edge of a basic input clock (CLK) and input/output data in synchronization with the input clock (CLK). The address lines are multiplexed with the Data Input/ Output signals on a multiplexed x32 Input/ Output bus. All the commands are latched in synchronization with the rising edge of CLK.

The Mobile SDRAMs provides for programmable read or write Burst length of Programmable burst lengths: 1, 2, 4, 8 locations or full page. An AUTO PRECHARGE function may be enabled to provide a self-timed row precharge that is initiated at the end of the burst access. The Mobile SDRAM uses an internal pipelined architecture to achieve high-speed operation. This architecture is compatible with the  $2n$  rule of prefetch architectures, but it also allows the column address to be changed on every clock cycle to achieve a high-speed, fully random access. Precharging one bank while accessing one of the other three banks will hide the precharge cycles and provide seamless, high-speed, random-access operation.

Read and write accesses to the Hynix Mobile SDRAMs are burst oriented; accesses start at a selected location and continue for a programmed number of locations in a programmed sequence. Accesses begin with the registration of an ACTIVE command, which is then followed by a READ or WRITE command. The address bits registered coincident with the ACTIVE command are used to select the bank and the row to be accessed. The address bits registered coincident with the READ or WRITE command are used to select the bank and the starting column location for the burst access. A burst of Read or Write cycles in progress can be terminated by a burst terminate command or can be interrupted and replaced by a new burst Read or Write command on any cycle(This pipelined design is not restricted by a  $2N$  rule).

The Hynix Mobile SDR also provides for special programmable options including Partial Array Self Refresh of full array, half array, quarter array Temperature Compensated Self Refresh of 45 or 85 degrees °C.

The Hynix Mobile SDR has the special Low Power function of Auto TCSR(Temperature Compensated Self Refresh) to reduce self refresh current consumption. Since an internal temperature sensor is implanted, it enables to automatically adjust refresh rate according to temperature without external EMRS command.

Deep Power Down Mode is a additional operating mode for Mobile SDR. This mode can achieve maximum power reduction by removing power to the memory array within each Mobile SDR. By using this feature, the system can cut off almost all DRAM power without adding the cost of a power switch and giving up mother-board power-line layout flexibility.

All inputs are LV-CMOS compatible. Devices will have a VDD and VDDQ supply of 1.8V (nominal).



## INFORMATION for Hynix KNOWN GOOD DIE

With the advent of Multi-Chip package (MCPs), Package on Package (PoP) and system in a package (SiP) applications, customer demand for Known Good Die (KGD) has increased.

Requirements for smaller form factors and higher memory densities are fueling the need for Wafer-level memory solutions due to their superior flexibility. Hynix Known Good Die (KGD) products can be used in packaging technologies such as systems-in-a-package (SiPs) and multi-chip packages (MCPs) to reduce the board area required, making them ideal for handheld PCs, and many other portable digital applications.

Hynix Mobile DRAM will be able to continue its constant effort of enabling the Advanced package products of all application customers.

- Please Contact Hynix Office for Hynix KGD product availability and informations.

## FEATURES

Standard SDRAM Protocol

Clock Synchronization Operation

- All the commands registered on positive edge of basic input clock (CLK)

MULTIBANK OPERATION - Internal 4bank operation

- During burst Read or Write operation, burst Read or Write for a different bank is performed.
- During burst Read or Write operation, a different bank is activated and burst Read or Write for that bank is performed
- During auto precharge burst Read or Write, burst Read or Write for a different bank is performed

Power Supply Voltage : VDD = 1.8V, VDDQ = 1.8V

LVC MOS compatible I/O Interface

Low Voltage interface to reduce I/O power

Programmable burst length: 1, 2, 4, 8 or full page

Programmable Burst Type : sequential or interleaved

Programmable CAS latency of 2 or 3

Programmable Drive Strength

Low Power Features

- Programmable PASR(Partial Array Self Refresh)
- Auto TCSR (Temperature Compensated Self Refresh)
- Programmable DS (Drive Strength)
- Deep Power Down Mode

Operation Temperature

- -30°C ~ 85°C

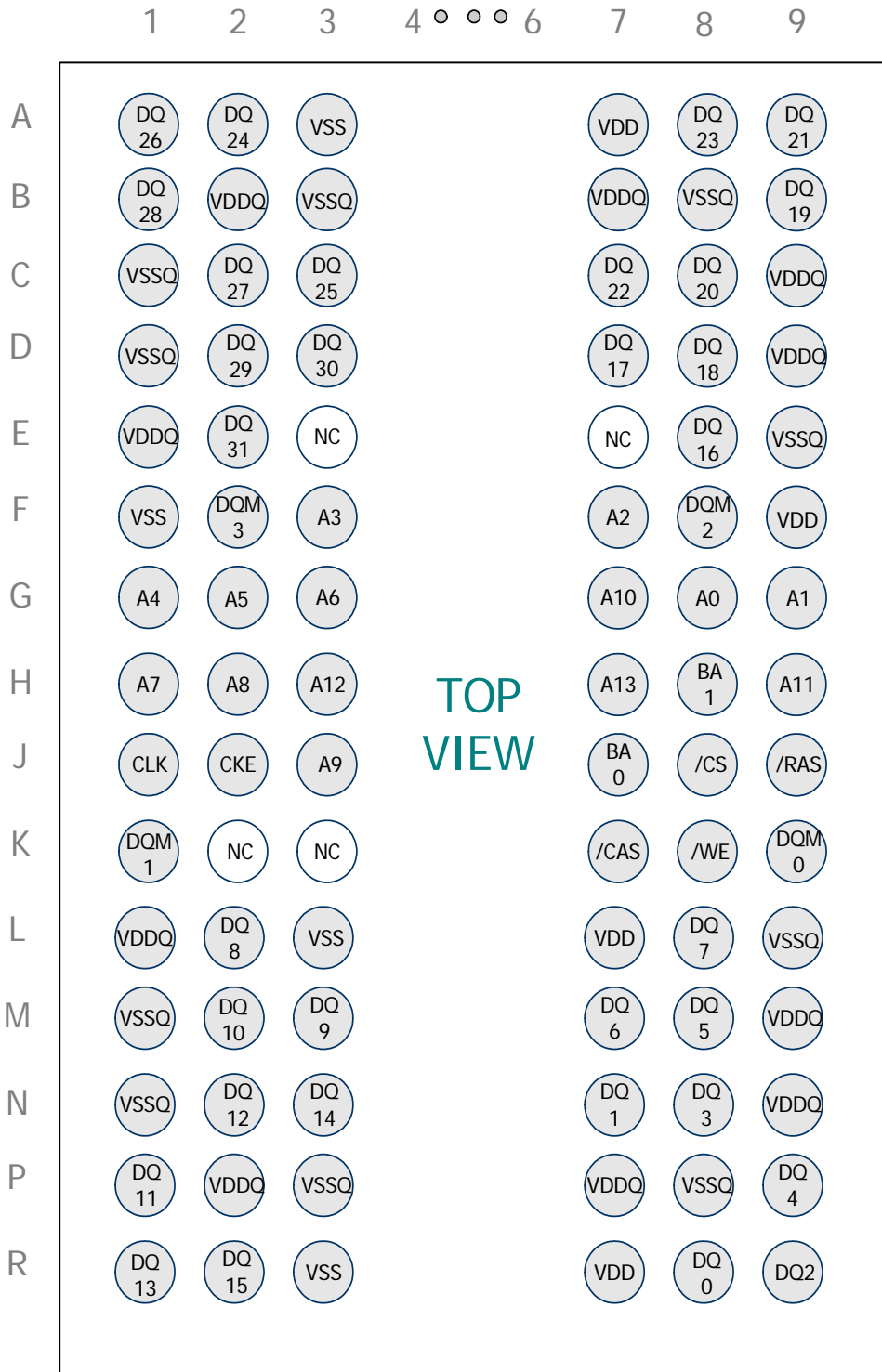
Package Type

- 90 Ball Lead Free FBGA

## 1Gb SDRAM ORDERING INFORMATION

| Part Number    | Clock Frequency | Page Size | Organization      | Interface | Package      |
|----------------|-----------------|-----------|-------------------|-----------|--------------|
| H55S1G32MFP-60 | 166MHz          | 2kBytes   | 4banks x 8Mb x 32 | LVC MOS   | 90 Ball FBGA |
| H55S1G32MFP-75 | 133MHz          |           |                   |           |              |
| H55S1G32MFP-A3 | 105MHz          |           |                   |           |              |
| H55S1G22MFP-60 | 166MHz          | 4kBytes   |                   |           |              |
| H55S1G22MFP-75 | 133MHz          |           |                   |           |              |
| H55S1G22MFP-A3 | 105MHz          |           |                   |           |              |

**BALL DESCRIPTION**



## BALL DESCRIPTION

| SYMBOL   | TYPE   | DESCRIPTION   |
|--|--------|---|
| CLK  | INPUT  | Clock : The system clock input. All other inputs are registered to the SDRAM on the rising edge of CLK  |
| CKE  | INPUT  | Clock Enable : Controls internal clock signal and when deactivated, the SDRAM will be one of the states among power down, suspend or self refresh                         |
| $\overline{\text{CS}}$   | INPUT  | Chip Select : Enables or disables all inputs except CLK, CKE, DQM0~DQM3   |
| BA0, BA1   | INPUT  | Bank Address : Selects bank to be activated during $\overline{\text{RAS}}$ activity<br>Selects bank to be read/written during $\overline{\text{CAS}}$ activity            |
| A0 ~ A13   | INPUT  | For 2KBytes Page Size, Row Address : A0~A13 / Column Address : A0~A8<br>For 4KBytes Page Size, Row Address : A0~A12 / Column Address : A0~A9<br>Auto-precharge flag : A10 |
| $\overline{\text{RAS}}$ , $\overline{\text{CAS}}$ , $\overline{\text{WE}}$ | INPUT  | Command Inputs : $\overline{\text{RAS}}$ , $\overline{\text{CAS}}$ and $\overline{\text{WE}}$ define the operation<br>Refer function truth table for details              |
| DQM0 ~ DQM3  | INPUT  | Data Mask:Controls output buffers in read mode and masks input data in write mode   |
| DQ0 ~ DQ31   | I/O    | Data Input/Output:Multiplexed data input/output pin   |
| VDD/VSS  | SUPPLY | Power supply for internal circuits  |
| VDDQ/VSSQ  | SUPPLY | Power supply for output buffers   |
| NC   | -      | No connection   |

## ABSOLUTE MAXIMUM RATING

| Parameter                          | Symbol    | Rating          | Unit |
|------------------------------------|-----------|-----------------|------|
| Ambient Temperature                | TA        | -30 ~ 85        | °C   |
| Storage Temperature                | TSTG      | -55 ~ 150       | °C   |
| Voltage on Any Pin relative to VSS | VIN, VOUT | -0.3 ~ VDDQ+0.3 | V    |
| Voltage on VDD relative to VSS     | VDD       | -0.3 ~ 2.7      | V    |
| Voltage on VDDQ relative to VSS    | VDDQ      | -0.3 ~ 2.7      | V    |
| Short Circuit Output Current       | IOS       | 50              | mA   |
| Power Dissipation                  | PD        | 1               | W    |

## DC OPERATING CONDITION (TA= -30 to 85°C)

| Parameter            | Symbol | Min      | Typ | Max      | Unit | Note |
|----------------------|--------|----------|-----|----------|------|------|
| Power Supply Voltage | VDD    | 1.7      | 1.8 | 1.95     | V    | 1    |
| Power Supply Voltage | VDDQ   | 1.7      | 1.8 | 1.95     | V    | 1, 2 |
| Input High Voltage   | VIH    | 0.8*VDDQ | -   | VDDQ+0.3 | V    | 1, 2 |
| Input Low Voltage    | VIL    | -0.3     | -   | 0.2*VDDQ | V    | 1, 2 |

**Note :**

1. All Voltages are referenced to VSS = 0V
2. VDDQ must not exceed the level of VDD

## AC OPERATING TEST CONDITION (TA= -30 to 85 °C, VDD = 1.8V, VSS = 0V)

| Parameter   | Symbol    | Value               | Unit | Note |
|---|-----------|---------------------|------|------|
| AC Input High/Low Level Voltage                     | VIH / VIL | 0.9*VDDQ / 0.2*VDDQ | V    |      |
| Input Timing Measurement Reference Level Voltage    | Vtrip     | 0.5*VDDQ            | V    |      |
| Input Rise/Fall Time                                | tR / tF   | 1                   | ns   |      |
| Output Timing Measurement Reference Level Voltage   | Voutref   | 0.5*VDDQ            | V    |      |
| Output Load Capacitance for Access Time Measurement | CL        |                     | pF   |      |



CAPACITANCE (TA= 25 °C, f=1MHz)

| Parameter                     | Pin  | Symbol | 6/H |     | Unit |
|-------------------------------|--|--------|-----|-----|------|
|                               |  |        | Min | Max |      |
| Input capacitance             | CLK  | CI1    | 1.5 | 3.5 | pF   |
|                               | A0~A13, BA0, BA1, CKE, $\overline{\text{CS}}$ , $\overline{\text{RAS}}$ ,<br>$\overline{\text{CAS}}$ , $\overline{\text{WE}}$ , DQM0~3 | CI2    | 1.5 | 3.0 | pF   |
| Data input/output capacitance | DQ0 ~ DQ31   | CI/O   | 2.0 | 4.5 | pF   |

DC CHARACTERISTICS I (TA= -30 to 85°C)

| Parameter              | Symbol | Min      | Max      | Unit | Note |
|------------------------|--------|----------|----------|------|------|
| Input Leakage Current  | ILI    | -1       | 1        | uA   | 1    |
| Output Leakage Current | ILO    | -1.5     | 1.5      | uA   | 2    |
| Output High Voltage    | VOH    | 0.9*VDDQ | -        | V    | 3    |
| Output Low Voltage     | VOL    | -        | 0.1*VDDQ | V    | 4    |

Note :

1. VIN = 0 to 1.8V. All other pins are not tested under VIN=0V.
2. DOUT is disabled. VOUT= 0 to 1.95V.
3. IOUT = - 0.1mA
4. IOUT = + 0.1mA

**DC CHARACTERISTICS II** (TA= -30 to 85°C)

| Parameter   | Symbol | Test Condition  | Speed         |        |        | Unit | Note |
|---|--------|---|---------------|--------|--------|------|------|
|   |        |   | 166MHz        | 133MHz | 105MHz |      |      |
| Operating Current                                   | IDD1   | Burst length=1, One bank active<br>tRC ≥ tRC(min), IOL=0mA  | 90            | 80     |        | mA   | 1    |
| Precharge Standby Current<br>in Power Down Mode     | IDD2P  | CKE ≤ VIL(max), tCK = min   | 0.4           |        |        | mA   |      |
|   | IDD2PS | CKE ≤ VIL(max), tCK = ∞   | 0.4           |        |        | mA   |      |
| Precharge Standby Current<br>in Non Power Down Mode | IDD2N  | CKE ≥ VIH(min), $\overline{CS} \geq VIH(min)$ , tCK = min<br>Input signals are changed one time during 2clks.<br>All other pins ≥ VDD-0.2V or ≤ 0.2V  | 5             |        |        | mA   |      |
|   | IDD2NS | CKE ≥ VIH(min), tCK = ∞<br>Input signals are stable.  | 2             |        |        |      |      |
| Active Standby Current<br>in Power Down Mode        | IDD3P  | CKE ≤ VIL(max), tCK = min   | 3             |        |        | mA   |      |
|   | IDD3PS | CKE ≤ VIL(max), tCK = ∞   | 2             |        |        |      |      |
| Active Standby Current<br>in Non Power Down Mode    | IDD3N  | CKE ≥ VIH(min), $\overline{CS} \geq VIH(min)$ , tCK = 15ns<br>Input signals are changed one time during 2clks.<br>All other pins ≥ VDD-0.2V or ≤ 0.2V | 10            |        |        | mA   |      |
|   | IDD3NS | CKE ≥ VIH(min), tCK = ∞<br>Input signals are stable.  | 5             |        |        |      |      |
| Burst Mode Operating Current                        | IDD4   | tCK ≥ tCK(min), IOL=0mA<br>All banks active   | 70            | 60     |        | mA   | 1    |
| Auto Refresh Current                                | IDD5   | tRFC ≥ tRFC(min)  | 120           |        |        | mA   |      |
| Self Refresh Current                                | IDD6   | CKE ≤ 0.2V  | See Next Page |        |        | mA   | 2    |
| Standby Current in Deep Power Down Mode             | IDD7   | See the Page for "Deep Power Down Mode"   | 10            |        |        | uA   | 3    |

**Notes :**

1. IDD1 and IDD4 depend on output loading and cycle rates. Specified values are measured with the output open
2. See the tables of next page for more specific IDD6 current values.
3. Please contact Hynix office for more information and ability for DPD operation.

Deep Power Down operation is a hynix optional function.

### DC CHARACTERISTICS III - Low Power (IDD6)

| Temp.<br>(°C) | Memory Array |         |        | Unit |
|---------------|--------------|---------|--------|------|
|               | 4 Banks      | 2 Banks | 1 Bank |      |
| 45            | 450          | 350     | 300    | µA   |
| 85            | 900          | 650     | 500    | µA   |

1. VDD / VDDQ = 1.8V
2. Related numerical values in this 45°C are examples for reference sample value only.
3. With a on-chip temperature sensor of Mobile memory, auto temperature compensated self refresh will automatically adjust the interval of self-refresh operation according to ambient temperature variations.

AC CHARACTERISTICS I (AC operating conditions unless otherwise noted)

| Parameter                         |                                   | Symbol | 166MHz |      | 133MHz |      | 105MHz |      | Unit | Note |
|-----------------------------------|-----------------------------------|--------|--------|------|--------|------|--------|------|------|------|
|                                   |                                   |        | Min    | Max  | Min    | Max  | Min    | Max  |      |      |
| System Clock Cycle Time           | $\overline{\text{CAS}}$ Latency=3 | tCK3   | 6.0    | 1000 | 7.5    | 1000 | 9.5    | 1000 | ns   |      |
|                                   | $\overline{\text{CAS}}$ Latency=2 | tCK2   | 12     | 1000 | 12     | 1000 | 15     | 1000 | ns   |      |
| Clock High Pulse Width            |                                   | tCHW   | 2.0    | -    | 2.5    | -    | 3.0    | -    | ns   | 1    |
| Clock Low Pulse Width             |                                   | tCLW   | 2.0    | -    | 2.5    | -    | 3.0    | -    | ns   | 1    |
| Access Time From Clock            | $\overline{\text{CAS}}$ Latency=3 | tAC3   | -      | 5.4  | -      | 6.0  | -      | 7.0  | ns   | 2, 3 |
|                                   | $\overline{\text{CAS}}$ Latency=2 | tAC2   | -      | 6.0  | -      | 8.0  | -      | 10   | ns   | 2, 3 |
| Data-out Hold Time                |                                   | tOH    | 2.6    | -    | 2.6    | -    | 2.6    | -    | ns   | 3    |
| Data-Input Setup Time             |                                   | tDS    | 2.0    | -    | 2.0    | -    | 3.0    | -    | ns   | 1    |
| Data-Input Hold Time              |                                   | tDH    | 1.0    | -    | 1.0    | -    | 1.5    | -    | ns   | 1    |
| Address Setup Time                |                                   | tAS    | 2.0    | -    | 2.0    | -    | 3.0    | -    | ns   | 1    |
| Address Hold Time                 |                                   | tAH    | 1.0    | -    | 1.0    | -    | 1.5    | -    | ns   | 1    |
| CKE Setup Time                    |                                   | tCKS   | 2.0    | -    | 2.0    | -    | 3.0    | -    | ns   | 1    |
| CKE Hold Time                     |                                   | tCKH   | 1.0    | -    | 1.0    | -    | 1.5    | -    | ns   | 1    |
| Command Setup Time                |                                   | tCS    | 2.0    | -    | 2.0    | -    | 3.0    | -    | ns   | 1    |
| Command Hold Time                 |                                   | tCH    | 1.0    | -    | 1.0    | -    | 1.5    | -    | ns   | 1    |
| CLK to Data Output in Low-Z Time  |                                   | tOLZ   | 1.0    | -    | 1.0    | -    | 1.0    | -    | ns   |      |
| CLK to Data Output in High-Z Time | $\overline{\text{CAS}}$ Latency=3 | tOHZ3  |        | 5.4  |        | 6.0  |        | 7.0  | ns   |      |
|                                   | $\overline{\text{CAS}}$ Latency=2 | tOHZ2  |        | 6.0  |        | 8.0  |        | 10   | ns   |      |

Notes :

1. Assume  $t_R / t_F$  (input rise and fall time) is 1ns. If  $t_R \& t_F > 1\text{ns}$ , then  $[(t_R+t_F)/2-1]\text{ns}$  should be added to the parameter.
2. Access time to be measured with input signals of 1V/ns edge rate, from 0.8V to 0.2V. If  $t_R > 1\text{ns}$ , then  $(t_R/2-0.5)\text{ns}$  should be added to the parameter.
3. Output Load : 30pF+No termination

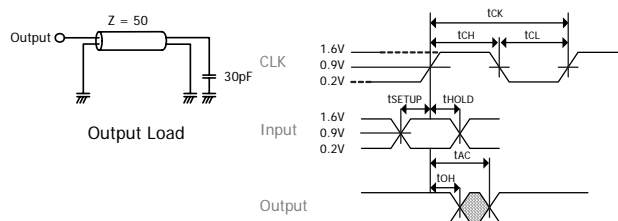
AC high level input voltage / low level input voltage : 1.6 / 0.2V

Input timing measurement reference level : 0.9V

Transition time (input rise and fall time) : 0.5ns

Output timing measurement reference level : 0.9V

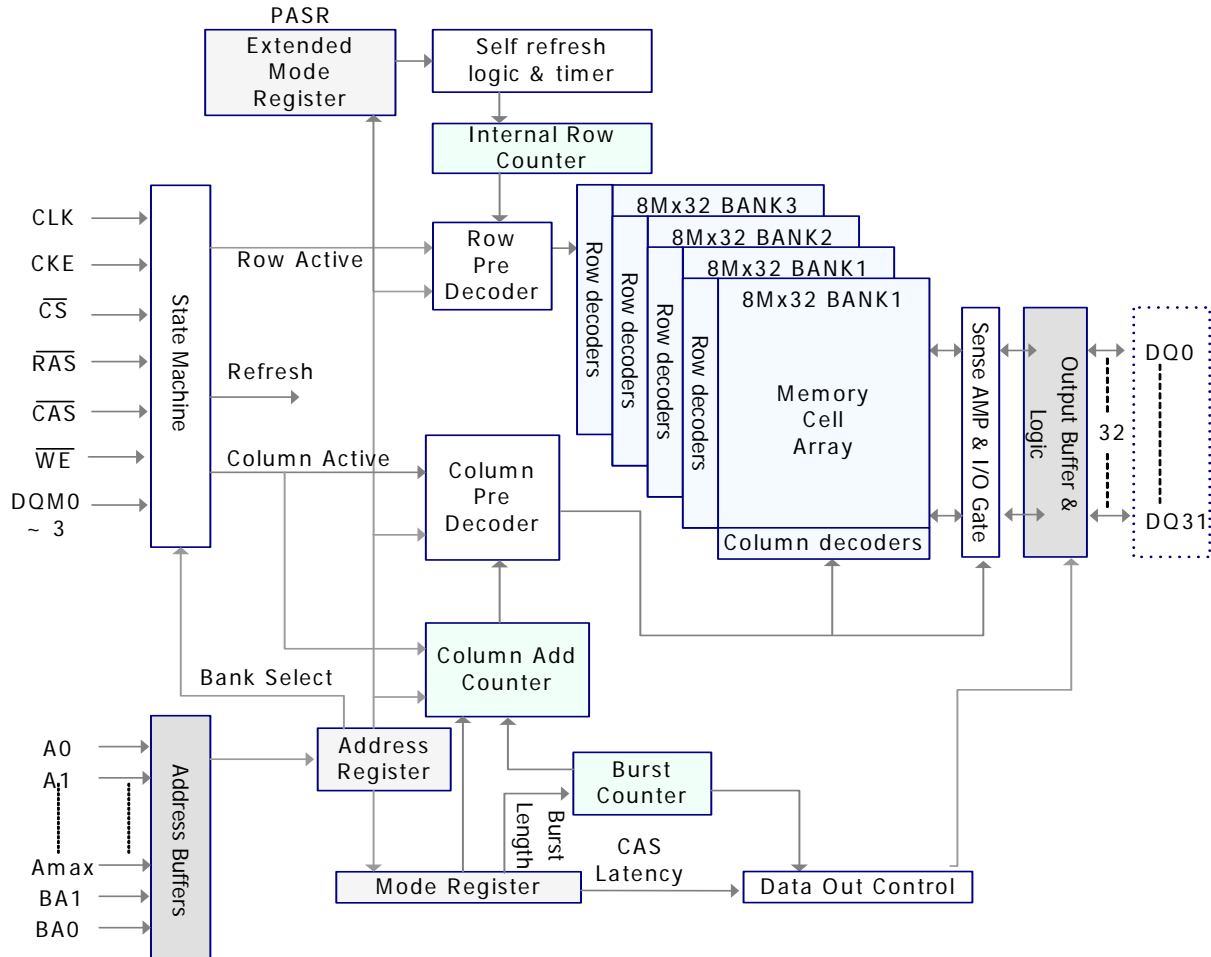
Output load : CL = 30pF



AC CHARACTERISTICS II (AC operating conditions unless otherwise noted)

| Parameter  | Symbol                            | 166MHz      |      | 133MHz      |      | 105MHz      |      | Unit | Note |
|--|-----------------------------------|-------------|------|-------------|------|-------------|------|------|------|
|  |                                   | Min         | Max  | Min         | Max  | Min         | Max  |      |      |
| $\overline{\text{RAS}}$ Cycle Time                                   | tRC                               | 60          | -    | 72.5        | -    | 90          | -    | ns   |      |
| $\overline{\text{RAS}}$ to $\overline{\text{CAS}}$ Delay             | tRCD                              | 18          | -    | 22.5        | -    | 28.5        | -    | ns   |      |
| $\overline{\text{RAS}}$ Active Time                                  | tRAS                              | 42          | 100K | 45          | 100K | 60          | 100K | ns   |      |
| $\overline{\text{RAS}}$ Precharge Time                               | tRP                               | 18          | -    | 22.5        | -    | 28.5        | -    | ns   |      |
| $\overline{\text{RAS}}$ to $\overline{\text{RAS}}$ Bank Active Delay | tRRD                              | 12          | -    | 15          | -    | 19          | -    | ns   |      |
| AUTO REFRESH Period  | tRFC                              | 110         | -    | 110         | -    | 110         | -    | ns   |      |
| $\overline{\text{CAS}}$ to $\overline{\text{CAS}}$ Delay             | tCCD                              | 1           | -    | 1           | -    | 1           | -    | CLK  |      |
| Write Command to Data-In Delay                                       | tWTL                              | 0           | -    | 0           | -    | 0           | -    | CLK  |      |
| Data-in to Precharge Command   | tDPL                              | 2           | -    | 2           | -    | 2           | -    | CLK  |      |
| Data-In to Active Command  | tDAL                              | tDPL+tRP    |      |             |      |             |      |      |      |
| DQM to Data-Out Hi-Z   | tDQZ                              | 2           | -    | 2           | -    | 2           | -    | CLK  |      |
| DQM to Data-In Mask  | tDQM                              | 0           | -    | 0           | -    | 0           | -    | CLK  |      |
| MRS to New Command   | tMRD                              | 2           | -    | 2           | -    | 2           | -    | CLK  |      |
| Precharge to Data Output High-Z                                      | $\overline{\text{CAS}}$ Latency=3 | tPROZ3      | 3    | -           | 3    | -           | 3    | -    | CLK  |
|  | $\overline{\text{CAS}}$ Latency=2 | tPROZ2      | 2    | -           | 2    | -           | 2    | -    | CLK  |
| Power Down Exit Time   | tDPE                              | 1CLK + tCKS | -    | 1CLK + tCKS | -    | 1CLK + tCKS | -    | CLK  |      |
| Self Refresh Exit Time   | tXSR                              | 120         | -    | 120         | -    | 120         | -    | ns   |      |
| Refresh Time   | tREF                              | -           | 64   | -           | 64   | -           | 64   | ms   |      |

**FUNCTIONAL BLOCK DIAGRAM**  
**8Mbit x 4banks x 32 I/O Mobile Synchronous DRAM**



## BASIC FUNCTIONAL DESCRIPTION

### Mode Register

| BA1 | BA0 | A13 | A12 | A11 | A10 | A9      | A8 | A7 | A6          | A5 | A4 | A3 | A2           | A1 | A0 |
|-----|-----|-----|-----|-----|-----|---------|----|----|-------------|----|----|----|--------------|----|----|
| 0   | 0   | 0   | 0   | 0   | 0   | OP Code | 0  | 0  | CAS Latency |    |    | BT | Burst Length |    |    |

#### OP Code

| A9 | Write Mode                  |
|----|-----------------------------|
| 0  | Burst Read and Burst Write  |
| 1  | Burst Read and Single Write |

#### Burst Type

| A3 | Burst Type |
|----|------------|
| 0  | Sequential |
| 1  | Interleave |

#### CAS Latency

| A6 | A5 | A4 | CAS Latency |
|----|----|----|-------------|
| 0  | 0  | 0  | Reserved    |
| 0  | 0  | 1  | Reserved    |
| 0  | 1  | 0  | Reserved    |
| 0  | 1  | 1  | 3           |
| 1  | 0  | 0  | Reserved    |
| 1  | 0  | 1  | Reserved    |
| 1  | 1  | 0  | Reserved    |
| 1  | 1  | 1  | Reserved    |

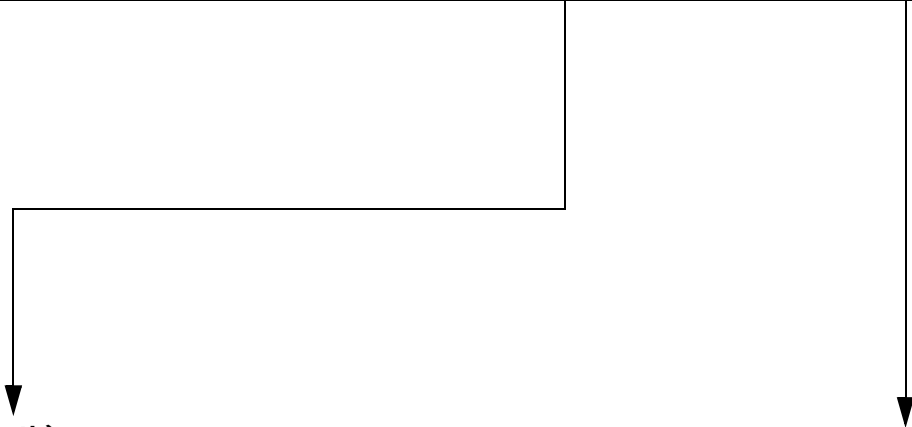
#### Burst Length

| A2 | A1 | A0 | Burst Length |          |
|----|----|----|--------------|----------|
|    |    |    | A3 = 0       | A3 = 1   |
| 0  | 0  | 0  | 1            | 1        |
| 0  | 0  | 1  | 2            | 2        |
| 0  | 1  | 0  | 4            | 4        |
| 0  | 1  | 1  | 8            | 8        |
| 1  | 0  | 0  | Reserved     | Reserved |
| 1  | 0  | 1  | Reserved     | Reserved |
| 1  | 1  | 0  | Reserved     | Reserved |
| 1  | 1  | 1  | Full page    | Reserved |

BASIC FUNCTIONAL DESCRIPTION (Continued)

**Extended Mode Register**

|     |     |     |     |     |     |    |    |    |    |    |    |    |      |    |    |
|-----|-----|-----|-----|-----|-----|----|----|----|----|----|----|----|------|----|----|
| BA1 | BA0 | A13 | A12 | A11 | A10 | A9 | A8 | A7 | A6 | A5 | A4 | A3 | A2   | A1 | A0 |
| 1   | 0   | 0   | 0   | 0   | 0   | 0  | 0  | 0  | DS |    | 0  | 0  | PASR |    |    |



**DS (Driver Strength)**

| A6 | A5 | Driver Strength |
|----|----|-----------------|
| 0  | 0  | Full            |
| 0  | 1  | 1/2 Strength    |
| 1  | 0  | 1/4 Strength    |
| 1  | 1  | Reserved        |

**PASR (Partial Array Self Refresh)**

| A2 | A1 | A0 | Self Refresh Coverage                              |
|----|----|----|--|
| 0  | 0  | 0  | All Banks  |
| 0  | 0  | 1  | Half of Total Bank (BA1=0 or Bank 0,1)             |
| 0  | 1  | 0  | Quarter of Total Bank (BA1=BA0=0 or Bank 0)        |
| 0  | 1  | 1  | Reserved   |
| 1  | 0  | 0  | Reserved   |
| 1  | 0  | 1  | Half of Bank 0(Bank 0 and Row Address MSB=0)       |
| 1  | 1  | 0  | Quarter of Bank 0(Bank 0 and Row Address 2 MSBs=0) |
| 1  | 1  | 1  | Reserved   |



## COMMAND TRUTH TABLE

| Function                   | CKEn-1 | CKEn | $\overline{\text{CS}}$ | $\overline{\text{RAS}}$ | $\overline{\text{CAS}}$ | $\overline{\text{WE}}$ | DQM | ADDR        | A10 /AP | BA | Note |
|----------------------------|--------|------|------------------------|-------------------------|-------------------------|------------------------|-----|-------------|---------|----|------|
| Mode Register Set          | H      | X    | L                      | L                       | L                       | L                      | X   | Op Code     |         |    | 2    |
| Extended Mode Register Set | H      | X    | L                      | L                       | L                       | L                      | X   | Op Code     |         |    | 2    |
| No Operation               | H      | X    | L                      | H                       | H                       | H                      | X   | X           |         |    |      |
| Device Deselect            | H      | X    | H                      | X                       | X                       | X                      | X   | X           |         |    |      |
| Bank Active                | H      | X    | L                      | L                       | H                       | H                      | X   | Row Address |         | V  |      |
| Read                       | H      | X    | L                      | H                       | L                       | H                      |     | Column      | L       | V  |      |
| Read with Autoprecharge    | H      | X    | L                      | H                       | L                       | H                      | X   | Column      | H       | V  |      |
| Write                      | H      | X    | L                      | H                       | L                       | L                      | X   | Column      | L       | V  |      |
| Write with Autoprecharge   | H      | X    | L                      | H                       | L                       | L                      | X   | Column      | H       | V  |      |
| Precharge All Banks        | H      | X    | L                      | L                       | H                       | L                      | X   | X           | H       | X  |      |
| Precharge selected Bank    | H      | X    | L                      | L                       | H                       | L                      | X   | X           | L       | V  |      |
| Burst stop                 | H      | X    | L                      | H                       | H                       | L                      | X   | X           |         |    |      |
| Data Write/Output Enable   | H      | X    | X                      |                         |                         |                        | X   | X           |         |    |      |
| Data Mask/Output Disable   | H      | X    | X                      |                         |                         |                        | V   | X           |         |    |      |
| Auto Refresh               | H      | H    | L                      | L                       | L                       | H                      | X   | X           |         |    |      |
| Self Refresh Entry         | H      | L    | L                      | L                       | L                       | H                      | X   | X           |         |    |      |
| Self Refresh Exit          | L      | H    | H                      | X                       | X                       | X                      | X   | X           |         |    | 1    |
|                            |        |      | L                      | H                       | H                       | H                      |     |             |         |    |      |
| Precharge Power Down Entry | H      | L    | H                      | X                       | X                       | X                      | X   | X           |         |    |      |
|                            |        |      | L                      | H                       | H                       | H                      |     |             |         |    |      |
| Precharge Power Down Exit  | L      | H    | H                      | X                       | X                       | X                      | X   | X           |         |    |      |
|                            |        |      | L                      | H                       | H                       | H                      |     |             |         |    |      |
| Clock Suspend Entry        | H      | L    | H                      | X                       | X                       | X                      | X   | X           |         |    |      |
|                            |        |      | L                      | V                       | V                       | V                      |     |             |         |    |      |
| Clock Suspend Exit         | L      | H    | X                      |                         |                         |                        | X   | X           |         |    |      |
| Deep Power Down Entry      | H      | L    | L                      | H                       | H                       | L                      | X   | X           |         |    |      |
| Deep Power Down Exit       | L      | H    | X                      |                         |                         |                        | X   | X           |         |    |      |

**Notes :**

1. Exiting Self Refresh occurs by asynchronously bringing CKE from low to high.
2. BA1/BA0 must be issued 0/0 in the mode register set, and 1/0 in the extended mode register set.

## CURRENT STATE TRUTH TABLE (Sheet 1 of 4)

| Current State | Command                |                         |                         |                        |         |              | Action               | Notes                                       |             |
|---------------|------------------------|-------------------------|-------------------------|------------------------|---------|--------------|----------------------|---|-------------|
|               | $\overline{\text{CS}}$ | $\overline{\text{RAS}}$ | $\overline{\text{CAS}}$ | $\overline{\text{WE}}$ | BA0/BA1 | Amax-A0      |                      |   | Description |
| Idle          | L                      | L                       | L                       | L                      |         | OP CODE      | Mode Register Set    | Set the Mode Register                       | 14          |
|               | L                      | L                       | L                       | H                      | X       | X            | Auto or Self Refresh | Start Auto or Self Refresh                  | 5           |
|               | L                      | L                       | H                       | L                      | BA      | X            | Precharge            | No Operation                                |             |
|               | L                      | L                       | H                       | H                      | BA      | Row Add.     | Bank Activate        | Activate the specified bank and row         |             |
|               | L                      | H                       | L                       | L                      | BA      | Col Add. A10 | Write/WriteAP        | ILLEGAL                                     | 4           |
|               | L                      | H                       | L                       | H                      | BA      | Col Add. A10 | Read/ReadAP          | ILLEGAL                                     | 4           |
|               | L                      | H                       | H                       | H                      | X       | X            | No Operation         | No Operation                                | 3           |
|               | H                      | X                       | X                       | X                      | X       | X            | Device Deselect      | No Operation or Power Down                  | 3           |
| Row Active    | L                      | L                       | L                       | L                      |         | OP CODE      | Mode Register Set    | ILLEGAL                                     | 13,14       |
|               | L                      | L                       | L                       | H                      | X       | X            | Auto or Self Refresh | ILLEGAL                                     | 13          |
|               | L                      | L                       | H                       | L                      | BA      | X            | Precharge            | Precharge                                   | 7           |
|               | L                      | L                       | H                       | H                      | BA      | Row Add.     | Bank Activate        | ILLEGAL                                     | 4           |
|               | L                      | H                       | L                       | L                      | BA      | Col Add. A10 | Write/WriteAP        | Start Write : optional AP(A10=H)            | 6           |
|               | L                      | H                       | L                       | H                      | BA      | Col Add. A10 | Read/ReadAP          | Start Read : optional AP(A10=H)             | 6           |
|               | L                      | H                       | H                       | H                      | X       | X            | No Operation         | No Operation                                |             |
|               | H                      | X                       | X                       | X                      | X       | X            | Device Deselect      | No Operation                                |             |
| Read          | L                      | L                       | L                       | L                      |         | OP CODE      | Mode Register Set    | ILLEGAL                                     | 13,14       |
|               | L                      | L                       | L                       | H                      | X       | X            | Auto or Self Refresh | ILLEGAL                                     | 13          |
|               | L                      | L                       | H                       | L                      | BA      | X            | Precharge            | Termination Burst: Start the Precharge      |             |
|               | L                      | L                       | H                       | H                      | BA      | Row Add.     | Bank Activate        | ILLEGAL                                     | 4           |
|               | L                      | H                       | L                       | L                      | BA      | Col Add. A10 | Write/WriteAP        | Termination Burst: Start Write(optional AP) | 8,9         |
|               | L                      | H                       | L                       | H                      | BA      | Col Add. A10 | Read/ReadAP          | Termination Burst: Start Read(optional AP)  | 8           |
|               | L                      | H                       | H                       | H                      | X       | X            | No Operation         | Continue the Burst                          |             |

## CURRENT STATE TRUTH TABLE (Sheet 2 of 4)

| Current State             | Command                |                         |                         |                        |         |              | Action               | Notes                                       |             |
|---------------------------|------------------------|-------------------------|-------------------------|------------------------|---------|--------------|----------------------|---|-------------|
|                           | $\overline{\text{CS}}$ | $\overline{\text{RAS}}$ | $\overline{\text{CAS}}$ | $\overline{\text{WE}}$ | BA0/BA1 | Amax-A0      |                      |   | Description |
| Read                      | H                      | X                       | X                       | X                      | X       | X            | Device Deselect      | Continue the Burst                          |             |
| Write                     | L                      | L                       | L                       | L                      | OP CODE |              | Mode Register Set    | ILLEGAL                                     | 13,14       |
|                           | L                      | L                       | L                       | H                      | X       | X            | Auto or Self Refresh | ILLEGAL                                     | 13          |
|                           | L                      | L                       | H                       | L                      | BA      | X            | Precharge            | Termination Burst: Start the Precharge      | 10          |
|                           | L                      | L                       | H                       | H                      | BA      | Row Add.     | Bank Activate        | ILLEGAL                                     | 4           |
|                           | L                      | H                       | L                       | L                      | BA      | Col Add. A10 | Write/WriteAP        | Termination Burst: Start Write(optional AP) | 8           |
|                           | L                      | H                       | L                       | H                      | BA      | Col Add. A10 | Read/ReadAP          | Termination Burst: Start Read(optional AP)  | 8,9         |
|                           | L                      | H                       | H                       | H                      | X       | X            | No Operation         | Continue the Burst                          |             |
|                           | H                      | X                       | X                       | X                      | X       | X            | Device Deselect      | Continue the Burst                          |             |
| Read with Auto Precharge  | L                      | L                       | L                       | L                      | OP CODE |              | Mode Register Set    | ILLEGAL                                     | 13,14       |
|                           | L                      | L                       | L                       | H                      | X       | X            | Auto or Self Refresh | ILLEGAL                                     | 13          |
|                           | L                      | L                       | H                       | L                      | BA      | X            | Precharge            | ILLEGAL                                     | 4,12        |
|                           | L                      | L                       | H                       | H                      | BA      | Row Add.     | Bank Activate        | ILLEGAL                                     | 4,12        |
|                           | L                      | H                       | L                       | L                      | BA      | Col Add. A10 | Write/WriteAP        | ILLEGAL                                     | 12          |
|                           | L                      | H                       | L                       | H                      | BA      | Col Add. A10 | Read/ReadAP          | ILLEGAL                                     | 12          |
|                           | L                      | H                       | H                       | H                      | X       | X            | No Operation         | Continue the Burst                          |             |
|                           | H                      | X                       | X                       | X                      | X       | X            | Device Deselect      | Continue the Burst                          |             |
| Write with Auto Precharge | L                      | L                       | L                       | L                      | OP CODE |              | Mode Register Set    | ILLEGAL                                     | 13,14       |
|                           | L                      | L                       | L                       | H                      | X       | X            | Auto or Self Refresh | ILLEGAL                                     | 13          |
|                           | L                      | L                       | H                       | L                      | BA      | X            | Precharge            | ILLEGAL                                     | 4,12        |
|                           | L                      | L                       | H                       | H                      | BA      | Row Add.     | Bank Activate        | ILLEGAL                                     | 4,12        |
|                           | L                      | H                       | L                       | L                      | BA      | Col Add. A10 | Write/WriteAP        | ILLEGAL                                     | 12          |
|                           | L                      | H                       | L                       | H                      | BA      | Col Add. A10 | Read/ReadAP          | ILLEGAL                                     | 12          |
|                           | L                      | H                       | H                       | H                      | X       | X            | No Operation         | Continue the Burst                          |             |
|                           | H                      | X                       | X                       | X                      | X       | X            | Device Deselect      | Continue the Burst                          |             |

## CURRENT STATE TRUTH TABLE (Sheet 3 of 4)

| Current State    | Command                |                         |                         |                        |         |              | Action               | Notes                                   |             |
|------------------|------------------------|-------------------------|-------------------------|------------------------|---------|--------------|----------------------|---|-------------|
|                  | $\overline{\text{CS}}$ | $\overline{\text{RAS}}$ | $\overline{\text{CAS}}$ | $\overline{\text{WE}}$ | BA0/BA1 | Amax-A0      |                      |   | Description |
| Precharging      | L                      | L                       | L                       | L                      | OP CODE |              | Mode Register Set    | ILLEGAL                                 | 13,14       |
|                  | L                      | L                       | L                       | H                      | X       | X            | Auto or Self Refresh | ILLEGAL                                 | 13          |
|                  | L                      | L                       | H                       | L                      | BA      | X            | Precharge            | No Operation:<br>Bank(s) idle after tRP |             |
|                  | L                      | L                       | H                       | H                      | BA      | Row Add.     | Bank Activate        | ILLEGAL                                 | 4,12        |
|                  | L                      | H                       | L                       | L                      | BA      | Col Add. A10 | Write/WriteAP        | ILLEGAL                                 | 4,12        |
|                  | L                      | H                       | L                       | H                      | BA      | Col Add. A10 | Read/ReadAP          | ILLEGAL                                 | 4,12        |
|                  | L                      | H                       | H                       | H                      | X       | X            | No Operation         | No Operation:<br>Bank(s) idle after tRP |             |
|                  | H                      | X                       | X                       | X                      | X       | X            | Device Deselect      | No Operation:<br>Bank(s) idle after tRP |             |
| Row Activating   | L                      | L                       | L                       | L                      | OP CODE |              | Mode Register Set    | ILLEGAL                                 | 13,14       |
|                  | L                      | L                       | L                       | H                      | X       | X            | Auto or Self Refresh | ILLEGAL                                 | 13          |
|                  | L                      | L                       | H                       | L                      | BA      | X            | Precharge            | ILLEGAL                                 | 4,12        |
|                  | L                      | L                       | H                       | H                      | BA      | Row Add.     | Bank Activate        | ILLEGAL                                 | 4,11,12     |
|                  | L                      | H                       | L                       | L                      | BA      | Col Add. A10 | Write/WriteAP        | ILLEGAL                                 | 4,12        |
|                  | L                      | H                       | L                       | H                      | BA      | Col Add. A10 | Read/ReadAP          | ILLEGAL                                 | 4,12        |
|                  | L                      | H                       | H                       | H                      | X       | X            | No Operation         | No Operation: Row Active after tRCD     |             |
|                  | H                      | X                       | X                       | X                      | X       | X            | Device Deselect      | No Operation: Row Active after tRCD     |             |
| Write Recovering | L                      | L                       | L                       | L                      | OP CODE |              | Mode Register Set    | ILLEGAL                                 | 13,14       |
|                  | L                      | L                       | L                       | H                      | X       | X            | Auto or Self Refresh | ILLEGAL                                 | 13          |
|                  | L                      | L                       | H                       | L                      | BA      | X            | Precharge            | ILLEGAL                                 | 4,13        |
|                  | L                      | L                       | H                       | H                      | BA      | Row Add.     | Bank Activate        | ILLEGAL                                 | 4,12        |
|                  | L                      | H                       | L                       | L                      | BA      | Col Add. A10 | Write/WriteAP        | Start Write:<br>Optional AP(A10=H)      |             |
|                  | L                      | H                       | L                       | H                      | BA      | Col Add. A10 | Read/ReadAP          | Start Read: Optional AP(A10=H)          | 9           |
|                  | L                      | H                       | H                       | H                      | X       | X            | No Operation         | No Operation:<br>Row Active after tDPL  |             |

## CURRENT STATE TRUTH TABLE (Sheet 4 of 4)

| Current State                        | Command                |                         |                         |                        |         |              | Action               | Notes                                      |             |
|--------------------------------------|------------------------|-------------------------|-------------------------|------------------------|---------|--------------|----------------------|--|-------------|
|                                      | $\overline{\text{CS}}$ | $\overline{\text{RAS}}$ | $\overline{\text{CAS}}$ | $\overline{\text{WE}}$ | BA0/BA1 | Amax-A0      |                      |  | Description |
| Write Recovering                     | H                      | X                       | X                       | X                      | X       | X            | Device Deselect      | No Operation:<br>Row Active after tDPL     |             |
| Write Recovering with Auto Precharge | L                      | L                       | L                       | L                      | OP CODE |              | Mode Register Set    | ILLEGAL                                    | 13,14       |
|                                      | L                      | L                       | L                       | H                      | X       | X            | Auto or Self Refresh | ILLEGAL                                    | 13          |
|                                      | L                      | L                       | H                       | L                      | BA      | X            | Precharge            | ILLEGAL                                    | 4,13        |
|                                      | L                      | L                       | H                       | H                      | BA      | Row Add.     | Bank Activate        | ILLEGAL                                    | 4,12        |
|                                      | L                      | H                       | L                       | L                      | BA      | Col Add. A10 | Write/WriteAP        | ILLEGAL                                    | 4,12        |
|                                      | L                      | H                       | L                       | H                      | BA      | Col Add. A10 | Read/ReadAP          | ILLEGAL                                    | 4,9,12      |
|                                      | L                      | H                       | H                       | H                      | X       | X            | No Operation         | No Operation:<br>Precharge after tDPL      |             |
| Refreshing                           | L                      | L                       | L                       | L                      | OP CODE |              | Mode Register Set    | ILLEGAL                                    | 13,14       |
|                                      | L                      | L                       | L                       | H                      | X       | X            | Auto or Self Refresh | ILLEGAL                                    | 13          |
|                                      | L                      | L                       | H                       | L                      | BA      | X            | Precharge            | ILLEGAL                                    | 13          |
|                                      | L                      | L                       | H                       | H                      | BA      | Row Add.     | Bank Activate        | ILLEGAL                                    | 13          |
|                                      | L                      | H                       | L                       | L                      | BA      | Col Add. A10 | Write/WriteAP        | ILLEGAL                                    | 13          |
|                                      | L                      | H                       | L                       | H                      | BA      | Col Add. A10 | Read/ReadAP          | ILLEGAL                                    | 13          |
|                                      | L                      | H                       | H                       | H                      | X       | X            | No Operation         | No Operation:<br>idle after tRC            |             |
| Mode Register Accessing              | L                      | L                       | L                       | L                      | OP CODE |              | Mode Register Set    | ILLEGAL                                    | 13,14       |
|                                      | L                      | L                       | L                       | H                      | X       | X            | Auto or Self Refresh | ILLEGAL                                    | 13          |
|                                      | L                      | L                       | H                       | L                      | BA      | X            | Precharge            | ILLEGAL                                    | 13          |
|                                      | L                      | L                       | H                       | H                      | BA      | Row Add.     | Bank Activate        | ILLEGAL                                    | 13          |
|                                      | L                      | H                       | L                       | L                      | BA      | Col Add. A10 | Write/WriteAP        | ILLEGAL                                    | 13          |
|                                      | L                      | H                       | L                       | H                      | BA      | Col Add. A10 | Read/ReadAP          | ILLEGAL                                    | 13          |
|                                      | L                      | H                       | H                       | H                      | X       | X            | No Operation         | No Operation:<br>idle after 2 clock cycles |             |
|                                      | H                      | X                       | X                       | X                      | X       | X            | Device Deselect      | No Operation:<br>idle after 2 clock cycles |             |

**Notes :**

1. H: Logic High, L: Logic Low, X: Don't care, BA: Bank Address, AP: Auto Precharge.
2. All entries assume that CKE was active during the preceding clock cycle.
3. If both banks are idle and CKE is inactive, then in power down cycle
4. Illegal to bank in specified states. Function may be legal in the bank indicated by Bank Address, depending on the state of that bank.
5. If both banks are idle and CKE is inactive, then Self Refresh mode.
6. Illegal if tRCD is not satisfied.
7. Illegal if tRAS is not satisfied.
8. Must satisfy burst interrupt condition.
9. Must satisfy bus contention, bus turn around, and/or write recovery requirements.
10. Must mask preceding data which don't satisfy tDPL.
11. Illegal if tRRD is not satisfied
12. Illegal for single bank, but legal for other banks in multi-bank devices.
13. Illegal for all banks.
14. Mode Register Set and Extended Mode Register Set is same command truth table except BA1.

CKE Enable(CKE) Truth TABLE (Sheet 2 of 1)

| Current State   | CKE            |               | Command                |                         |                         |                        |          |                          | Action                                 | Notes |
|-----------------|----------------|---------------|------------------------|-------------------------|-------------------------|------------------------|----------|--------------------------|--|-------|
|                 | Previous Cycle | Current Cycle | $\overline{\text{CS}}$ | $\overline{\text{RAS}}$ | $\overline{\text{CAS}}$ | $\overline{\text{WE}}$ | BA0, BA1 | Amax-A0                  |  |       |
| Self Refresh    | H              | X             | X                      | X                       | X                       | X                      | X        | X                        | INVALID                                | 1     |
|                 | L              | H             | H                      | X                       | X                       | X                      | X        | X                        | Exit Self Refresh with Device Deselect | 2     |
|                 | L              | H             | L                      | H                       | H                       | H                      | X        | X                        | Exit Self Refresh with No Operation    | 2     |
|                 | L              | H             | L                      | H                       | H                       | L                      | X        | X                        | ILLEGAL                                | 2     |
|                 | L              | H             | L                      | H                       | L                       | X                      | X        | X                        | ILLEGAL                                | 2     |
|                 | L              | H             | L                      | L                       | X                       | X                      | X        | X                        | ILLEGAL                                | 2     |
|                 | L              | L             | X                      | X                       | X                       | X                      | X        | X                        | Maintain Self Refresh                  |       |
| Power Down      | H              | X             | X                      | X                       | X                       | X                      | X        | X                        | INVALID                                | 1     |
|                 | L              | H             | H                      | X                       | X                       | X                      | X        | X                        | Power Down mode exit, all banks idle   | 2     |
|                 |                |               | L                      | H                       | H                       | H                      | X        | X                        |  |       |
|                 | L              | H             | L                      | L                       | X                       | X                      | X        | X                        | ILLEGAL                                | 2     |
|                 |                |               |                        | X                       | L                       | X                      | X        | X                        |  |       |
|                 |                |               |                        | X                       | X                       | L                      | X        | X                        |  |       |
| L               | L              | X             | X                      | X                       | X                       | X                      | X        | Maintain Power Down Mode |  |       |
| Deep Power Down | H              | X             | X                      | X                       | X                       | X                      | X        | X                        | INVALID                                | 1     |
|                 | L              | H             | X                      | X                       | X                       | X                      | X        | X                        | Deep Power Down mode exit              | 5     |
|                 | L              | L             | X                      | X                       | X                       | X                      | X        | X                        | Maintain Deep Power Down Mode          |       |

## CKE Enable(CKE) Truth TABLE (Sheet 2 of 2)

| Current State                     | CKE            |               | Command                |                         |                         |                        |          |            | Action   | Notes |
|-----------------------------------|----------------|---------------|------------------------|-------------------------|-------------------------|------------------------|----------|------------|--|-------|
|                                   | Previous Cycle | Current Cycle | $\overline{\text{CS}}$ | $\overline{\text{RAS}}$ | $\overline{\text{CAS}}$ | $\overline{\text{WE}}$ | BA0, BA1 | Amax-A0    |  |       |
| All Banks Idle                    | H              | H             | H                      | X                       | X                       | X                      |          |            | Refer to the idle State section of the Current State Truth Table | 3     |
|                                   | H              | H             | L                      | H                       | X                       | X                      |          |            |  | 3     |
|                                   | H              | H             | L                      | L                       | H                       | X                      |          |            |  | 3     |
|                                   | H              | H             | L                      | L                       | L                       | H                      | X        | X          | Auto Refresh   |       |
|                                   | H              | H             | L                      | L                       | L                       | L                      | OP CODE  |            | Mode Register Set  | 4     |
|                                   | H              | L             | H                      | X                       | X                       | X                      |          |            | Refer to the idle State section of the Current State Truth Table | 3     |
|                                   | H              | L             | L                      | H                       | X                       | X                      |          |            |  | 3     |
|                                   | H              | L             | L                      | L                       | H                       | X                      |          |            |  | 3     |
|                                   | H              | L             | L                      | L                       | L                       | H                      | X        | X          | Entry Self Refresh   | 4     |
|                                   | H              | L             | L                      | L                       | L                       | L                      | OP CODE  |            | Mode Register Set  |       |
| L                                 | X              | X             | X                      | X                       | X                       | X                      | X        | Power Down | 4  |       |
| Any State other than listed above | H              | H             | X                      | X                       | X                       | X                      | X        | X          | Refer to operations of the Current State Truth Table             |       |
|                                   | H              | L             | X                      | X                       | X                       | X                      | X        | X          | Begin Clock Suspend next cycle                                   |       |
|                                   | L              | H             | X                      | X                       | X                       | X                      | X        | X          | Exit Clock Suspend next cycle                                    |       |
|                                   | L              | L             | X                      | X                       | X                       | X                      | X        | X          | Maintain Clock Suspend   |       |

**Notes :**

- For the given current state CKE must be low in the previous cycle.
- When CKE has a low to high transition, the clock and other inputs are re-enabled asynchronously.  
When exiting power down mode, a NOP (or Device Deselect) command is required on the first positive edge of clock after CKE goes high.
- The address inputs depend on the command that is issued.
- The Precharge Power Down mode, the Self Refresh mode, and the Mode Register Set can only be entered from the all banks idle state.
- When CKE has a low to high transition, the clock and other inputs are re-enabled asynchronously.  
When exiting deep power down mode, a NOP (or Device Deselect) command is required on the first positive edge of clock after CKE goes high and is maintained for a minimum 200usec.





### DESELECT

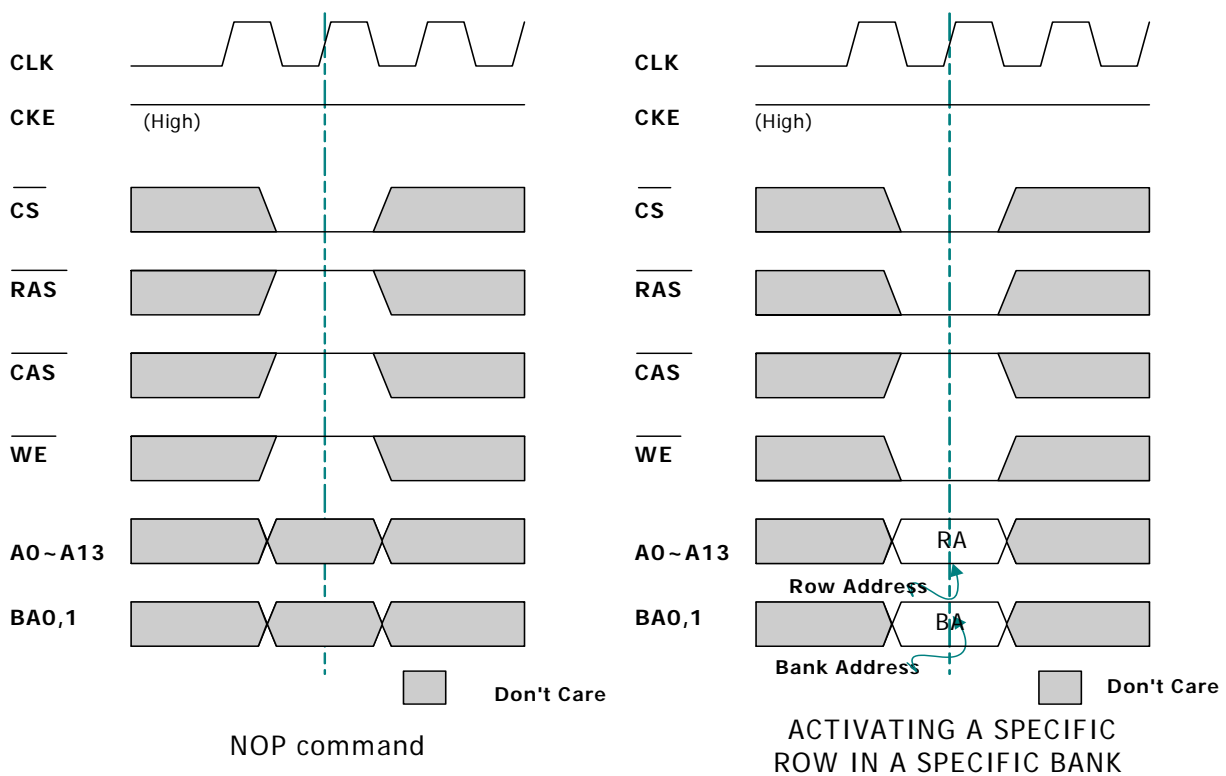
The Deselect function ( $\overline{CS} = \text{High}$ ) prevents new commands from being executed by the Mobile SDRAM, the Mobile SDRAM ignore command input at the clock. However, the internal status is held. The Mobile SDRAM is effectively deselected. Operations already in progress are not affected.

### NO OPERATION

The NO OPERATION (NOP) command is used to perform a NOP to a Mobile SDRAM that is selected ( $\overline{CS} = \text{Low}$ ,  $\overline{RAS} = \text{CAS} = \overline{WE} = \text{High}$ ). This command is not an execution command. However, the internal operations continue. This prevents unwanted commands from being registered during idle or wait states. Operations already in progress are not affected. (see to next figure)

### ACTIVE

The Active command is used to activate a row in particular bank for a subsequent Read or Write access. The value of the BA0,BA1 inputs selects the bank, and the address provided on A0-A13(only for the 2KBytes page size. For the 4KBytes page size, A0~A12 are provided) selects the row. This row remains active (or open) for accesses until a PRECHARGE command is issued to that bank. (see to next figure)



## READ / WRITE COMMAND

Before executing a read or write operation, the corresponding bank and the row address must be activated by the bank active (ACT) command. An interval of tRCD is required between the bank active command input and the following read/write command input.

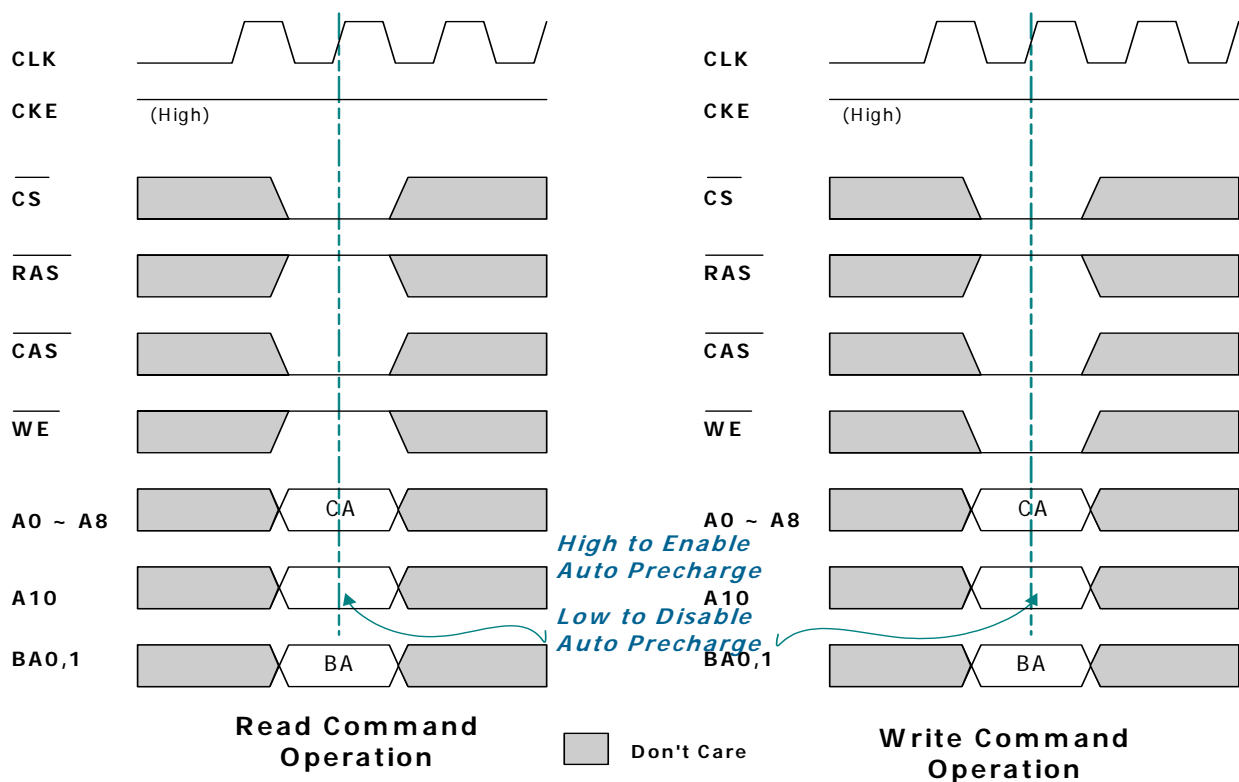
The READ command is used to initiate a Burst Read to an active row. The value of BA0 and BA1 selects the bank and address inputs select the starting column location.

The value of A10 determines whether or not auto precharge is used. If auto-precharge is selected, the row being accessed will be precharged at the end of the read burst; if auto precharge is not selected, the row will remain open for subsequent access. The valid data-out elements will be available CAS latency after the READ command is issued.

The WRITE command is used to initiate a Burst Write access to an active row. The value of BA0, BA1 selects the bank and address inputs select the starting column location.

The value of A10 determines whether or not auto precharge is used. If auto-precharge is selected, the row being accessed will be precharged at the end of the write burst; if auto precharge is not selected, the row will remain open for subsequent access.

When READ or WRITE command issues, the A0~A8 (column address) are provided if only 2KBytes page size as shown below figure. If the page size is 4KBytes, the A0~A9 (column address) are provided.



## READ / WRITE COMMAND

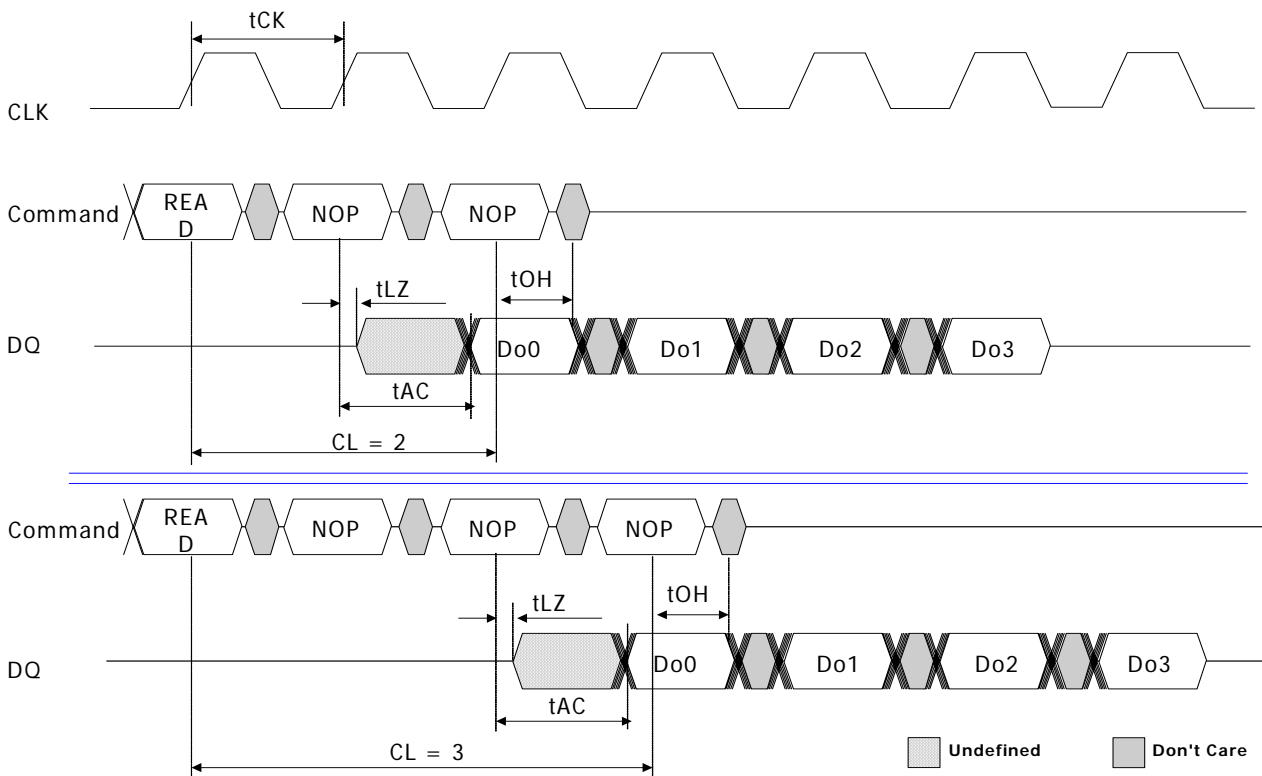
### READ

A read operation starts when a read command is input. Output buffer becomes Low-Z in the (/CAS Latency - 1) cycle after read command set. The SDRAM can perform a burst read operation.

The burst length can be set to 1, 2, 4 and 8. The start address for a burst read is specified by the column address and the bank select address at the read command set cycle. In a read operation, data output starts after the number of clocks specified by the /CAS Latency. The /CAS Latency can be set to 2 or 3.

When the burst length is 1, 2, 4 and 8 the DOUT buffer automatically becomes High-Z at the next clock after the successive burst-length data has been output.

The /CAS latency and burst length must be specified at the mode register.

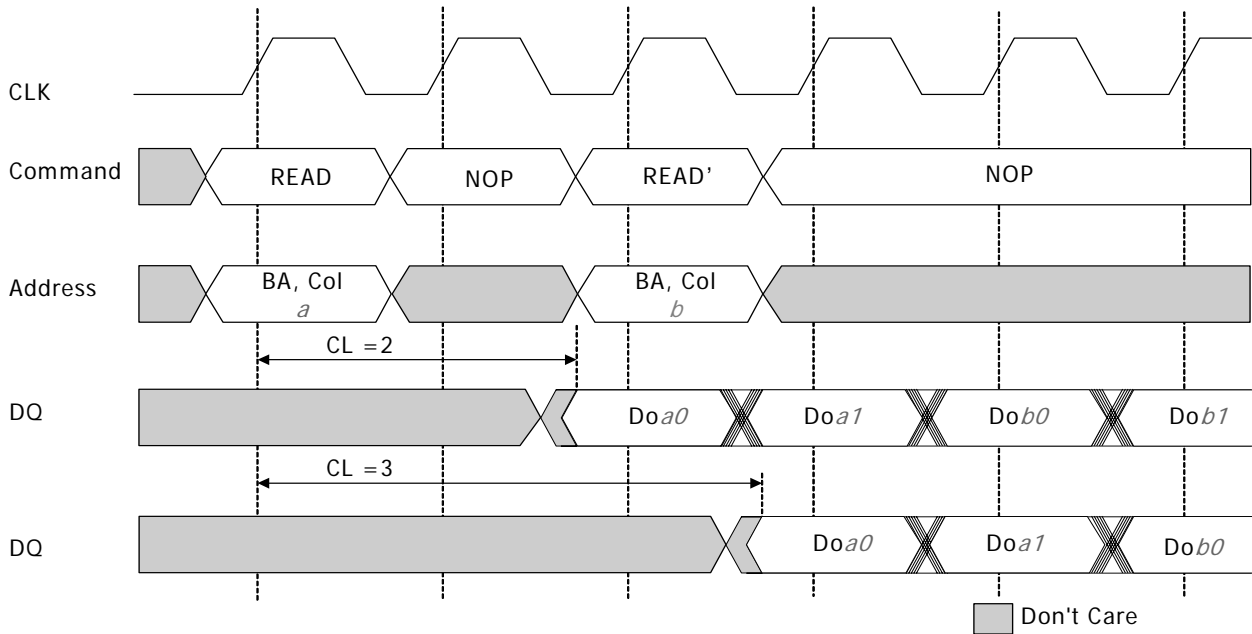


Read Burst Showing CAS Latency

### READ to READ

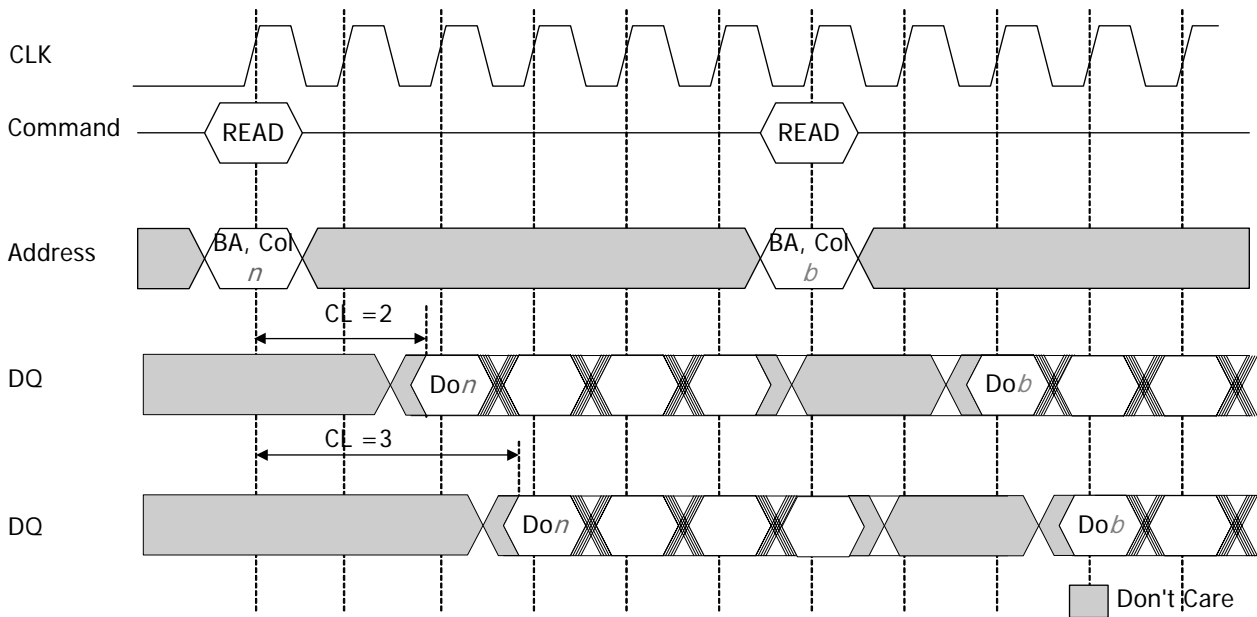
Data from a read burst may be concatenated or truncated by a subsequent READ command. The first data from the new burst follows either the last element of a completed burst or the last desired element of a longer burst that is being truncated.

When another read command is executed at the same ROW address of the same bank as the preceding read command execution, the second read can be performed after an interval of no less than 1 clock. Even when the first command is a burst read that is not yet finished, the data read by the second command will be valid.



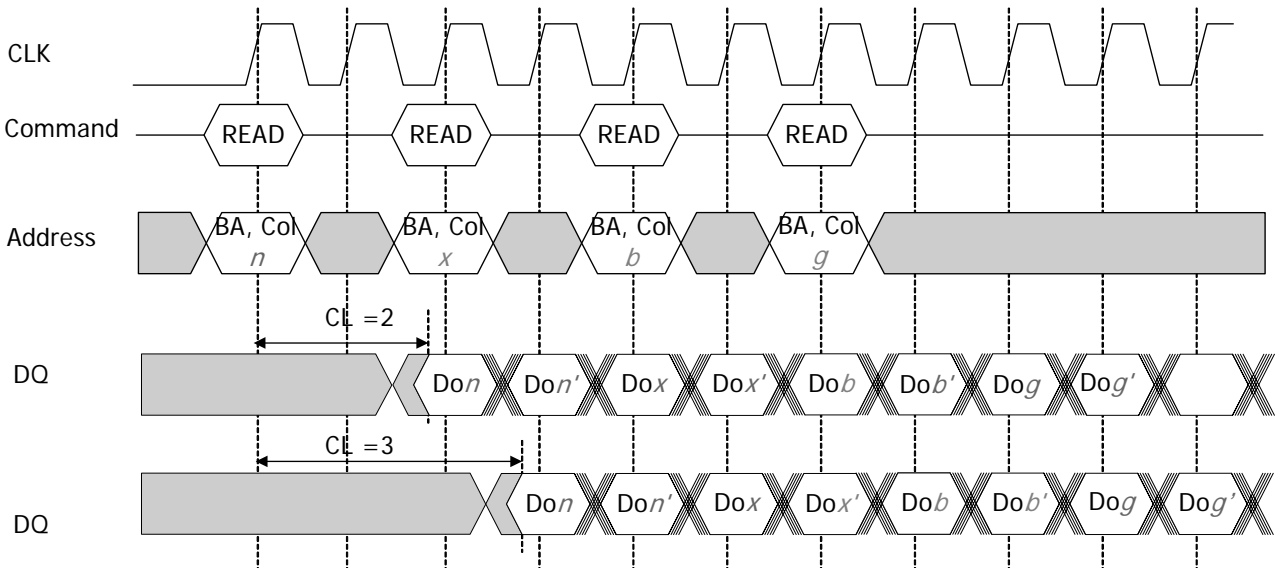
Consecutive Read Bursts

A READ command can be initiated on any clock cycle following a previous READ command. Non-consecutive Reads are shown in Figure. Full-speed random read accesses within a page or pages can be performed as shown in Fig.



- 1)  $Do_n$  (or  $b$ ): Data out from column  $n$
- 2)  $BA, Col\ n\ (b)$  = Bank A, Column  $n$  ( $b$ )
- 3) Burst Length = 4 : 3 subsequent elements of Data Out appear in the programmed order following  $Do_n\ (b)$

### Non-Consecutive Read Bursts

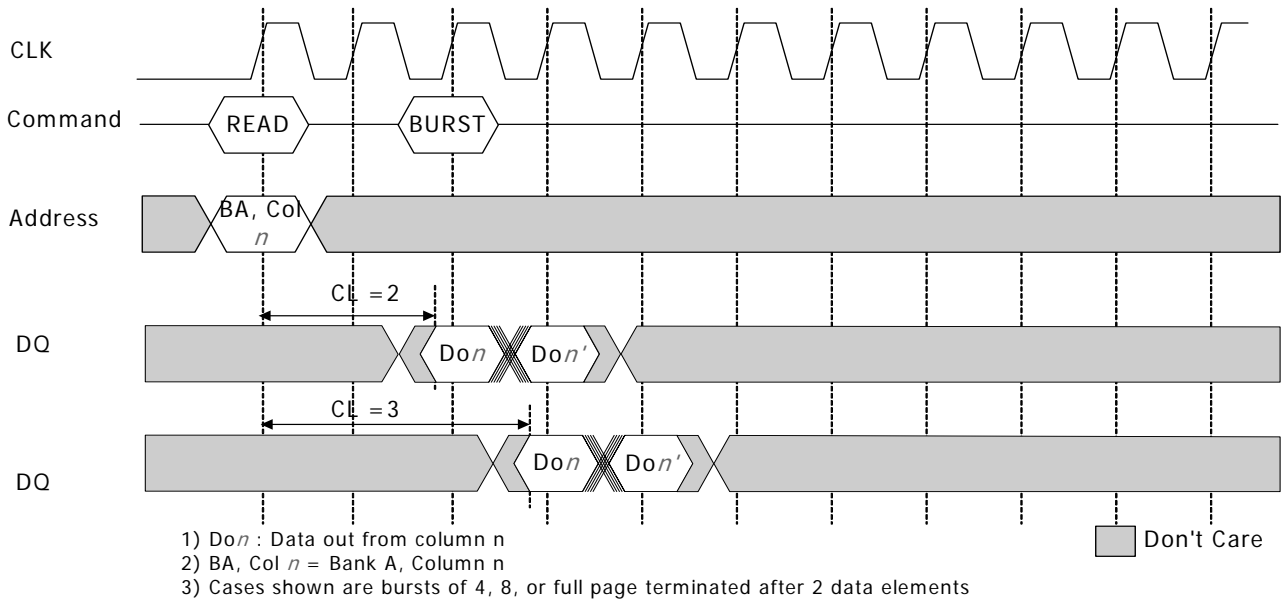


- 1)  $Do_n$ , etc: Data out from column  $n$ , etc  
 $n', x', etc$  : Data Out elements, according to the programmed burst order
- 2)  $BA, Col\ n$  = Bank A, Column  $n$
- 3) Burst Length = 1, 2, 4, 8 or full page in cases shown
- 4) Read are to active row in any banks

### Random Read Bursts

### READ BURST TERMINATE

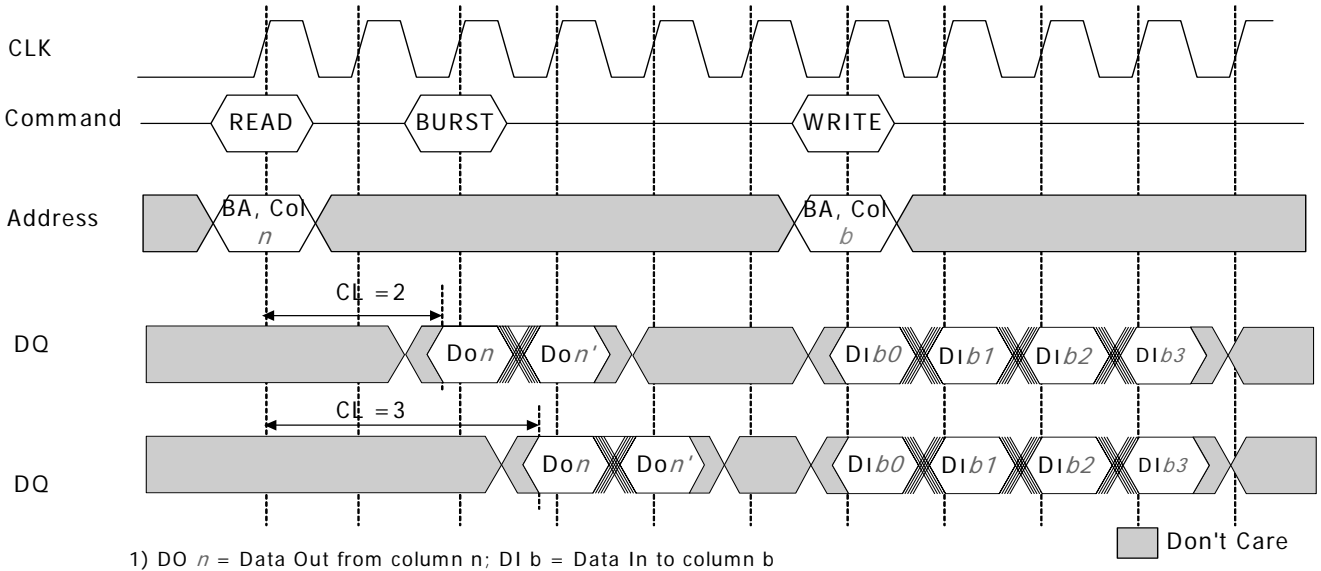
Data from any READ burst may be truncated with a BURST TERMINATE command. The BURST TERMINATE latency is equal to the read (CAS) latency, i.e., the BURST TERMINATE command should be issued X cycles after the READ command where X equals the desired data-out element.



Terminating a Read Burst

### READ to WRITE

Data from READ burst must be completed or truncated before a subsequent WRITE command can be issued. If truncation is necessary, the BURST TERMINATE command must be used, as shown in next fig.



### Read to Write

#### Notes :

1. Same bank, same ROW address: When the write command is executed at the same ROW address of the same bank as the preceding read command, the write command can be performed after an interval of no less than 1 clock. However, DQM must be set High so that the output buffer becomes High-Z before data input.
2. Same bank, different ROW address: When the ROW address changes, consecutive write commands cannot be executed; it is necessary to separate the two commands with a precharge command and a bank active command.
3. Different bank: When the bank changes, the write command can be performed after an interval of no less than 1 cycle, provided that the other bank is in the bank active state. However, DQM must be set High so that the output buffer becomes High-Z before data input.



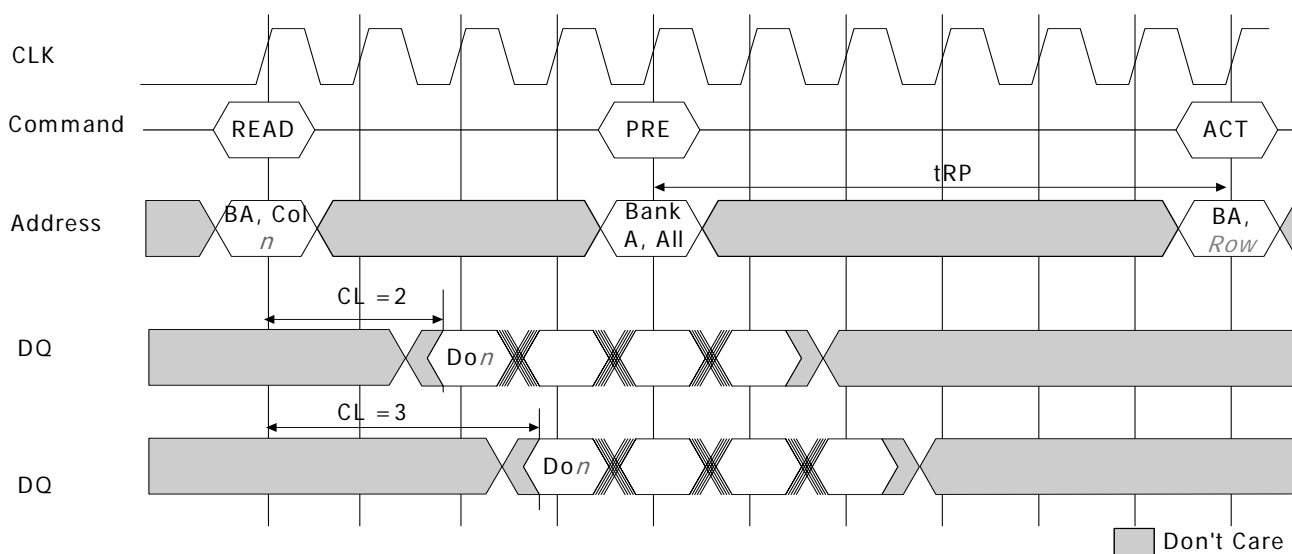
### READ to PRECHARGE

Following the PRECHARGE command, a subsequent command to the same bank cannot be issued until tRP is met.

Note that part of the row precharge time is hidden during the access of the last data element(s).

In the case of a fixed-length burst being executed to completion, a PRECHARGE command issued at the optimum time (as described above) provides the same operation that would result from the same fixed-length burst with auto pre-charge.

The disadvantage of the PRECHARGE command is that it requires that the command and address buses be available at the appropriate time to issue the command; the advantage of the PRECHARGE command is that it can be used to truncate fixed-length or full-page bursts.



- 1) DO  $n$  = Data Out from column  $n$
- 2) Note that Precharge may not be issued before tRAS ns after the ACTIVE command for applicable banks.
- 3) The ACTIVE command may be applied if tRC has been met.

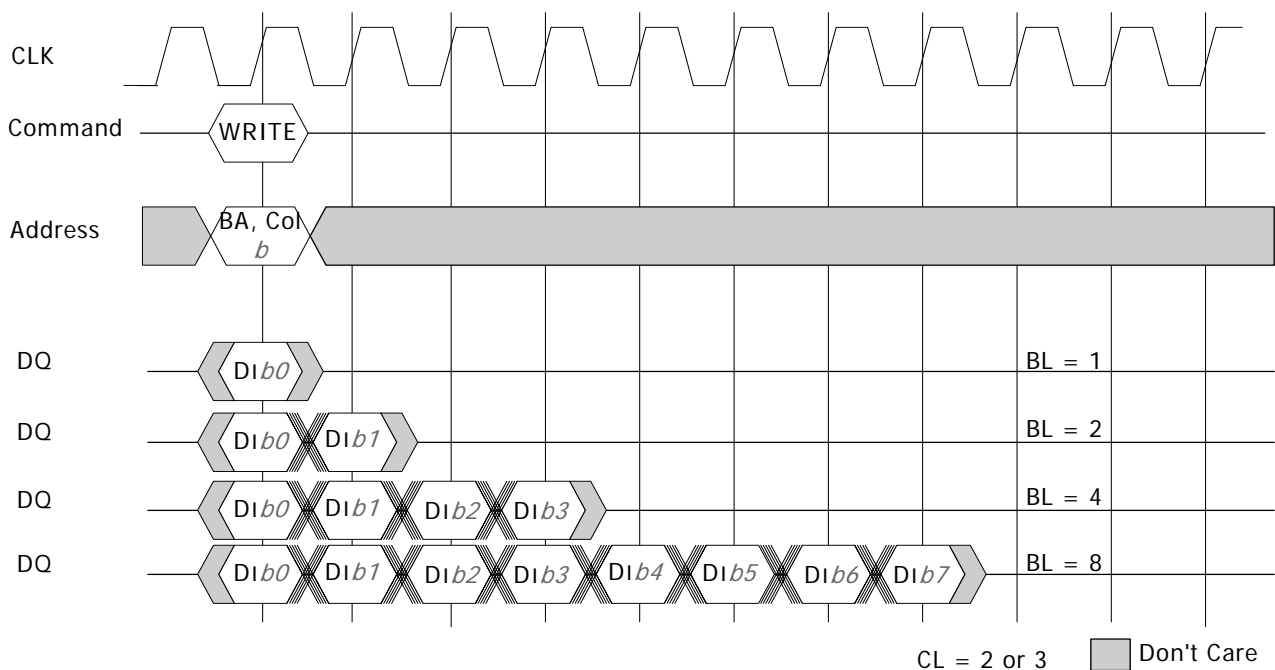
### READ to PRECHARGE

### Write

Input data appearing on the data bus, is written to the memory array subject to the DM input logic level appearing coincident with the data. If a given DM signal is registered Low, the corresponding data will be written to the memory; if the DM signal is registered High, the corresponding data inputs will be ignored, and a write will not be executed to that byte / column location.

During WRITE bursts, the first valid data-in element will be registered coincident with the WRITE command. Subsequent data elements will be registered on each successive positive clock edge. Upon completion of a fixed-length burst, assuming no other commands have been initiated, the DQ will remain High-Z and any additional input data will be ignored. A full-page burst will continue until terminated.

Data for any WRITE burst may be truncated with a subsequent WRITE command, and data for a fixed-length WRITE burst may be immediately followed by data for a WRITE command. The new WRITE command can be issued on any clock following the previous WRITE command, and the data provided coincident with the new command applies to the new command.



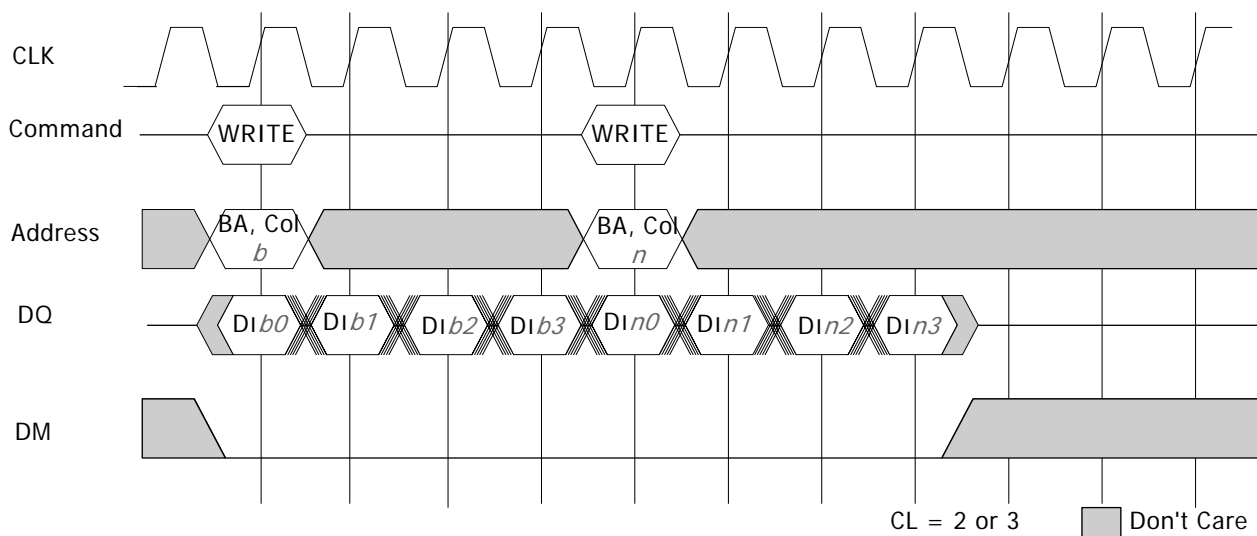
Basic Write timing parameters for Write Burst Operation

### Notes :

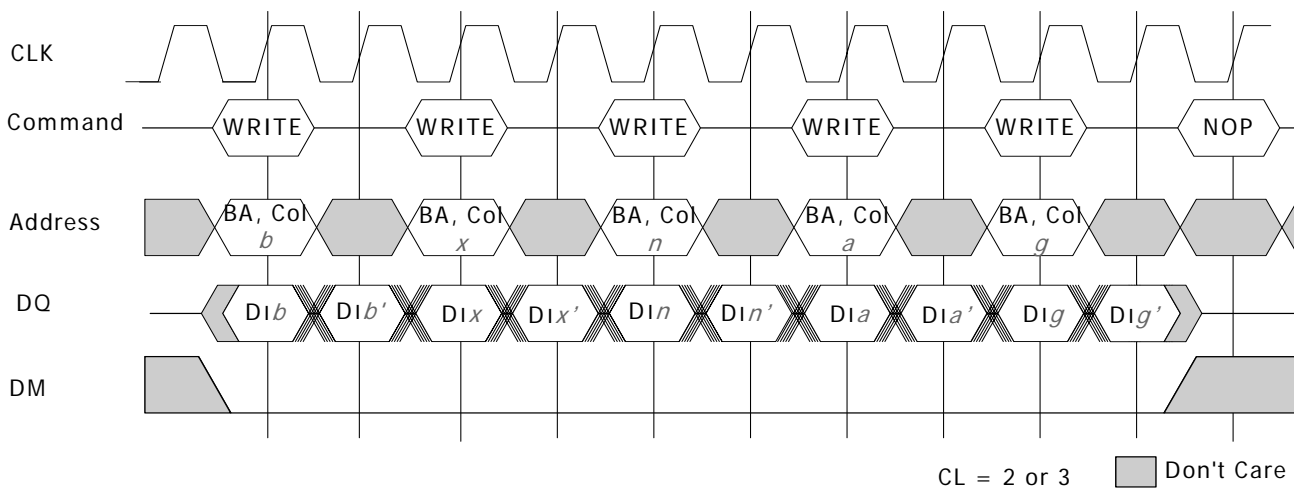
1. Same bank, same ROW address: When another write command is executed at the same ROW address of the same bank as the preceding write command, the second write can be performed after an interval of no less than 1 clock. In the case of burst writes, the second write command has priority.
2. Same bank, different ROW address: When the ROW address changes, consecutive write commands cannot be executed; it is necessary to separate the two write commands with a precharge command and a bank active command.
3. Different bank: When the bank changes, the second write can be performed after an interval of no less than 1 clock, provided that the other bank is in the bank active state. In the case of burst write, the second write command has priority.

## WRITE to WRITE

Data for any WRITE burst may be concatenated with or truncated with a subsequent WRITE command. In either case, a continuous flow of input data, can be maintained. The new WRITE command can be issued on any positive edge of the clock following the previous WRITE command. The first data-in element from the new burst is applied after either the last element of a completed burst or the last desired data element of a longer burst which is being truncated. The new WRITE command should be issued X cycles after the first WRITE command, where X equals the number of desired data-in element.

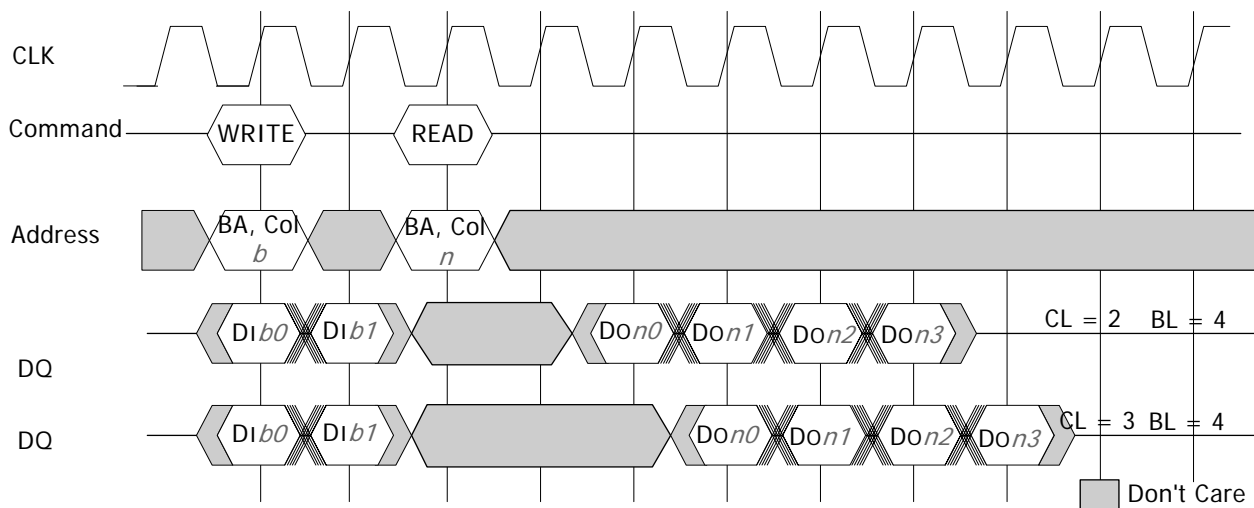


Concatenated Write Bursts



Random Write Cycles

WRITE to READ



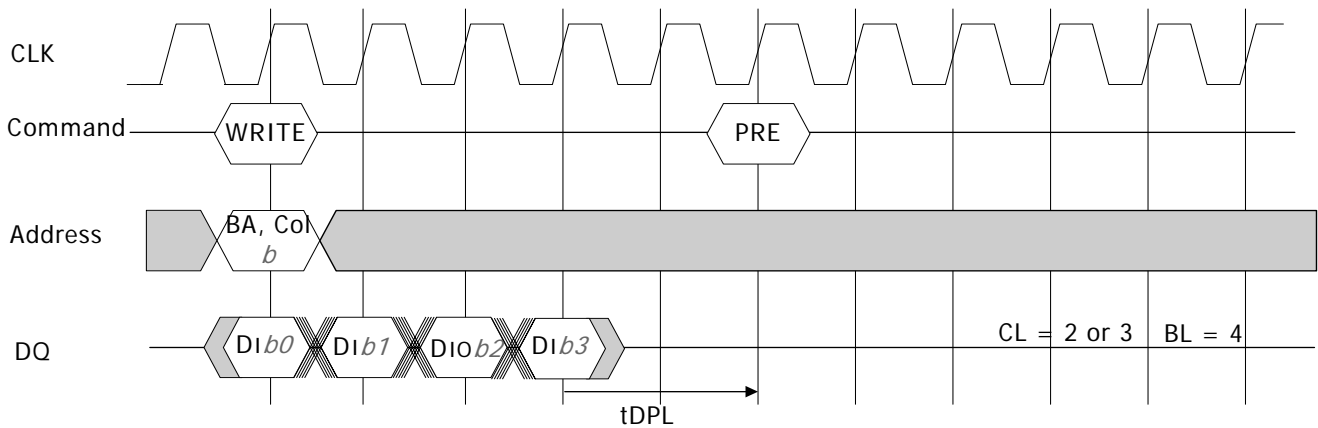
The preceding burst write operation can be aborted and a new burst read operation can be started by inputting a new read command in the write cycle. The data of the read command (READ) is output after the lapse of the /CAS latency. The preceding write operation (WRIT) writes only the data input before the read command. The data bus must go into a high-impedance state at least one cycle before output of the latest data.

**Notes:**

1. Same bank, same ROW address: When the read command is executed at the same ROW address of the same bank as the preceding write command, the read command can be performed after an interval of no less than 1 clock. However, in the case of a burst write, data will continue to be written until one clock before the read command is executed.
2. Same bank, different ROW address: When the ROW address changes, consecutive read commands cannot be executed; it is necessary to separate the two commands with a precharge command and a bank active command.
3. Different bank: When the bank changes, the read command can be performed after an interval of no less than 1 clock, provided that the other bank is in the bank active state. However, in the case of a burst write, data will continue to be written until one clock before the read command is executed (as in the case of the same bank and the same address).

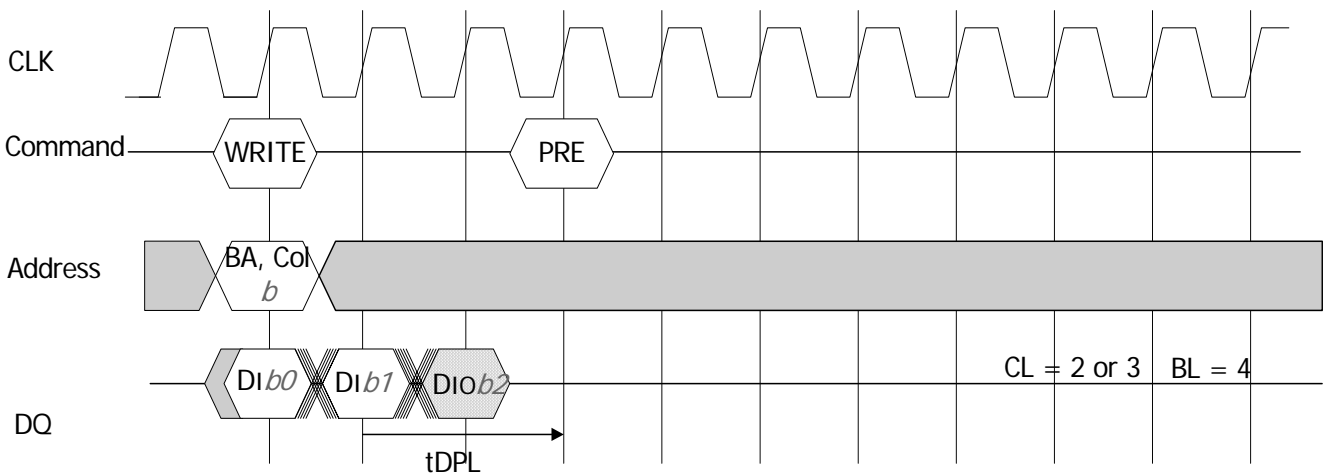
### WRITE to PRECHARGE

Data for any WRITE burst may be followed by a subsequent PRECHARGE command to the same bank (provided Auto Precharge was not activated). When the precharge command is executed for the same bank as the write command that preceded it, the minimum interval between the two commands is 1 clock. However, if the burst write operation is unfinished, the input data must be masked by means of DQM for assurance of the clock defined by tDPL. To follow a WRITE without truncating the WRITE burst, tDPL should be met as shown in Fig.



Non-Interrupting Write to Precharge

Data for any WRITE burst may be truncated by a subsequent PRECHARGE command as shown in Figure. Note that only data-in that are registered prior to the tDPL period are written to the internal array, and any subsequent data-in should be masked with DM, as shown in next Fig. Following the PRECHARGE command, a subsequent command to the same bank cannot be issued until tRP is met.

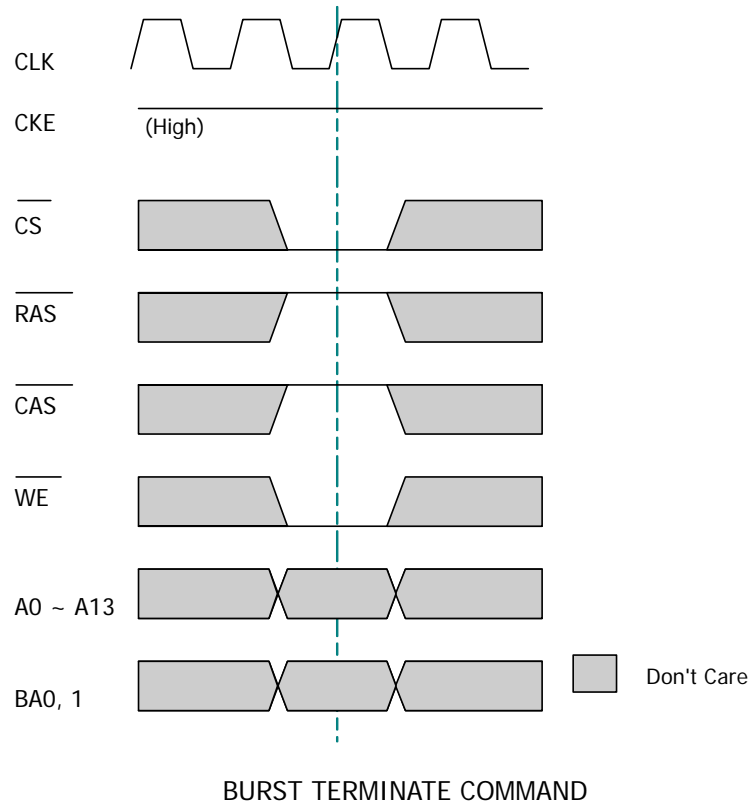


Interrupting Write to Precharge

### BURST TERMINATE

The BURST TERMINATE command is used to truncate read bursts (with autoprecharge disabled). The most recently registered READ command prior to the BURST TERMINATE command will be truncated, as shown in the Operation section of this datasheet. Note the BURST TERMINATE command is not bank specific. This command should not be used to terminate write bursts.

The below figure shows in case of 2KByte page size. If the page size is 4KByte, A0~A12 are provided.

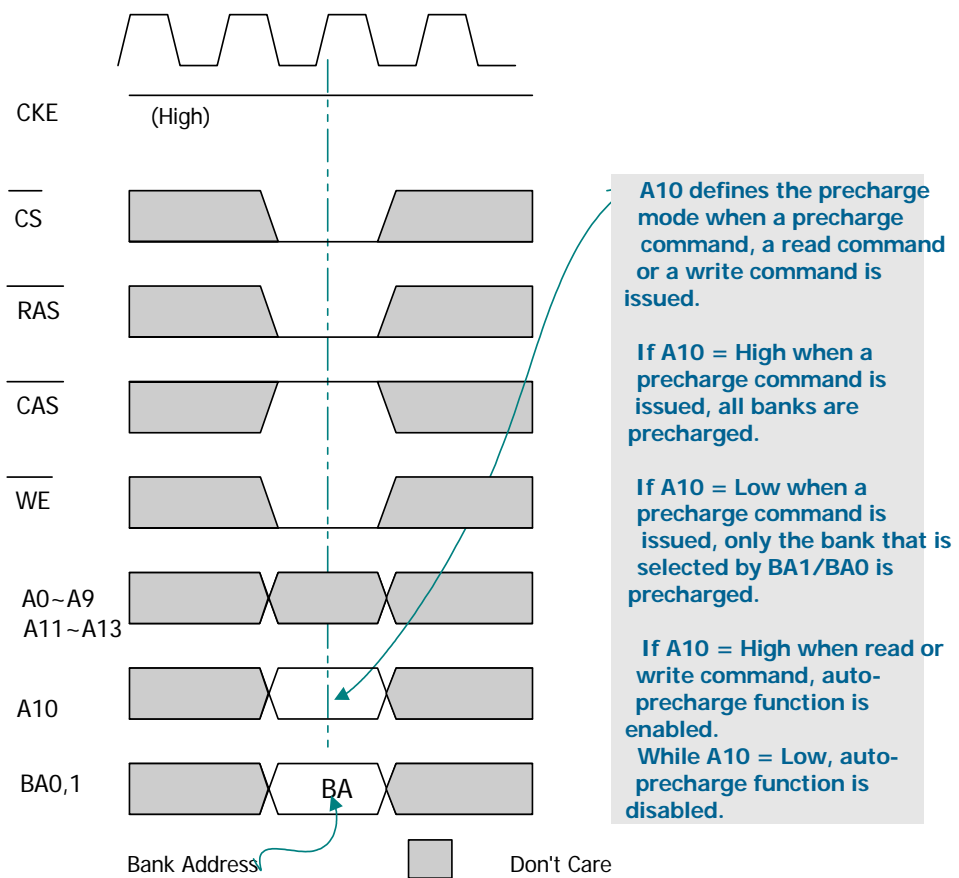


### PRECHARGE

The PRECHARGE command is used to deactivate the open row in a particular bank or the open row in all banks. Another command to the same bank (or banks) being precharged must not be issued until the precharge time (tRP) is completed.

If one bank is to be precharged, the particular bank address needs to be specified. If all banks are to be precharged, A10 should be set high along with the PRECHARGE command. If A10 is high, BA0 and BA1 are ignored. A PRECHARGE command will be treated as a NOP if there is no open row in that bank, or if the previously open row is already in the process of precharging.

The below figure shows in case of 2KByte page size. If the page size is 4KByte, A0~A12 are provided.



PRECHARGE command

### AUTO PRECHARGE

Auto Precharge is a feature which performs the same individual bank precharge function as described above, but without requiring an explicit command.

This is accomplished by using A10 (A10=high), to enable auto precharge in conjunction with a specific Read or Write command. This precharges the bank/row after the Read or Write burst is complete.

Auto precharge is non persistent, so it should be enabled with a Read or Write command each time auto precharge is desired. Auto precharge ensures that a precharge is initiated at the earliest valid stage within a burst.

The user must not issue another command to the same bank until the precharge time (tRP) is completed.

## AUTO REFRESH AND SELF REFRESH

Mobile SDRAM devices require a refresh of all rows in any rolling 64ms interval. Each refresh is generated in one of two ways: by an explicit AUTO REFRESH command, or by an internally timed event in SELF REFRESH mode:

### - AUTO REFRESH.

This command is used during normal operation of the Mobile SDRAM. It is non persistent, so must be issued each time a refresh is required. The refresh addressing is generated by the internal refresh controller. The Mobile SDRAM requires AUTO REFRESH commands at an average periodic interval of  $t_{REF}$ .

To allow for improved efficiency in scheduling and switching between tasks, some flexibility in the absolute refresh interval is provided. A maximum of eight AUTO REFRESH commands can be posted to any given Mobile SDRAM, and the maximum absolute interval between any AUTO REFRESH command and the next AUTO REFRESH command is  $8 \cdot t_{REF}$ .

### -SELF REFRESH.

This state retains data in the Mobile SDRAM, even if the rest of the system is powered down. Note refresh interval timing while in Self Refresh mode is scheduled internally in the Mobile SDRAM and may vary and may not meet  $t_{REF}$  time. After executing a self-refresh command, the self-refresh operation continues while CKE is held Low. During selfrefresh operation, all ROW addresses are refreshed by the internal refresh timer. A self-refresh is terminated by a self-refresh exit command. Before and after self-refresh mode, execute auto-refresh to all refresh addresses in or within  $t_{REF}$  (max.) period on the condition 1 and 2 below.

1. Enter self-refresh mode within time as below\* after either burst refresh or distributed refresh at equal interval to all refresh addresses are completed.
2. Start burst refresh or distributed refresh at equal interval to all refresh addresses within time as below\* after exiting from self-refresh mode.

**Note:**  $t_{REF}$  (max.) / refresh cycles.

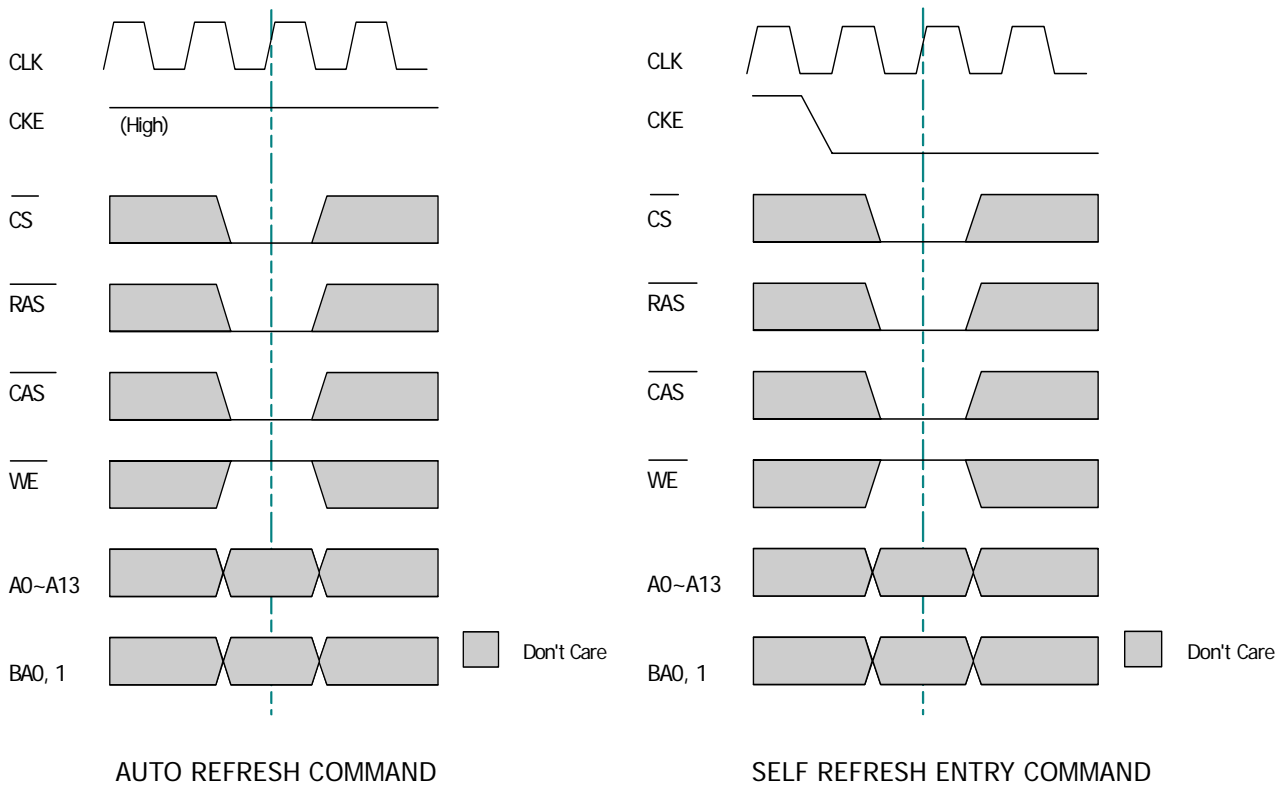
The use of SELF REFRESH mode introduces the possibility that an internally timed event can be missed when CKE is raised for exit from self refresh mode. Upon exit from SELF REFRESH an extra AUTO REFRESH command is recommended. In the self refresh mode, two additional power-saving options exist. They are Temperature Compensated Self Refresh and Partial Array Self Refresh and are described in the Extended Mode Register section.

The Self Refresh command is used to retain cell data in the Mobile SDRAM. In the Self Refresh mode, the Mobile SDRAM operates refresh cycle asynchronously.

The Self Refresh command is initiated like an Auto Refresh command except CKE is disabled(Low). The Mobile SDRAM can accomplish an special Self Refresh operation by the specific modes(PASR) programmed in extended mode registers. The Mobile SDRAM can control the refresh rate automatically by the temperature value of Auto TCSR(Temperature Compensated Self Refresh) to reduce self refresh current and select the memory array to be refreshed by the value of PASR(Partial Array Self Refresh). The Mobile SDRAM can reduce the self refresh current( $I_{DD6}$ ) by using these two modes.

The figure of next page shows in case of 2KByte page size. If the page size is 4KByte, A0~A12 are provided.





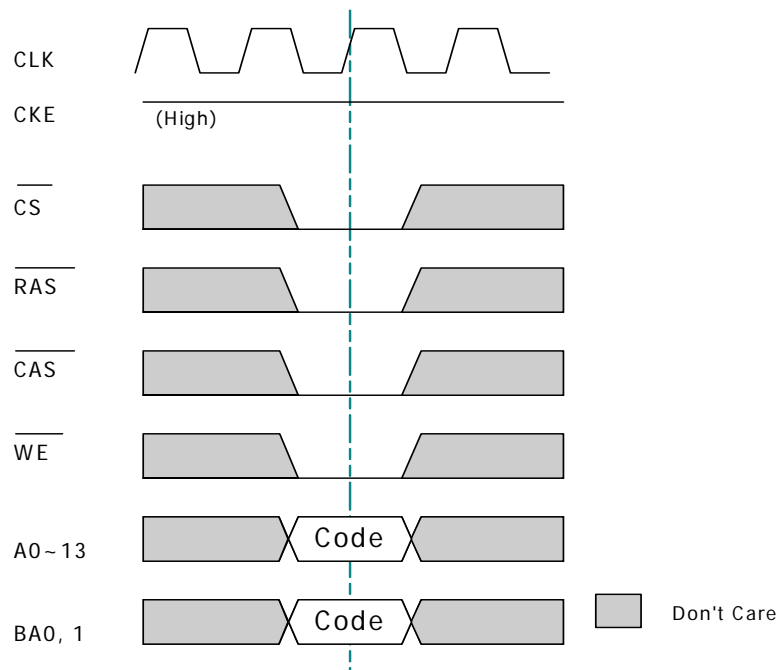
**Note 1:** If all banks are in the idle status and CKE is inactive (low level), the self refresh mode is set.

| Function           | CKEn-1 | CKEn | $\overline{CS}$ | $\overline{RAS}$ | $\overline{CAS}$ | $\overline{WE}$ | DQM | ADDR | A10/AP | BA |
|--------------------|--------|------|-----------------|------------------|------------------|-----------------|-----|------|--------|----|
| Auto Refresh       | H      | H    | L               | L                | L                | H               | X   |      | X      |    |
| Self Refresh Entry | H      | L    | L               | L                | L                | H               | X   |      | X      |    |

### MODE REGISTER SET

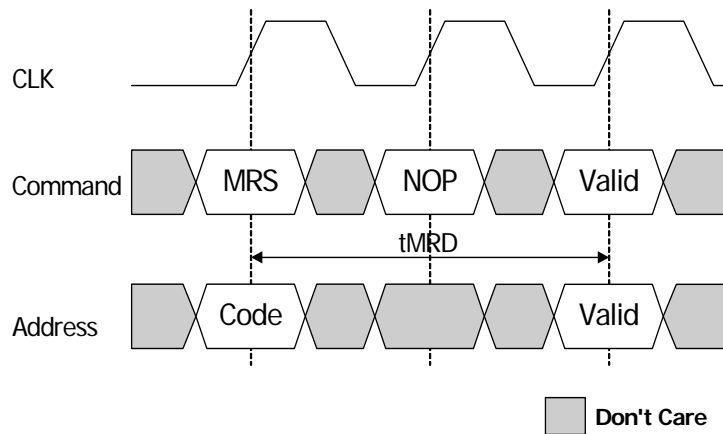
The mode registers are loaded via the address bits.

BA0 and BA1 are used to select between the Mode Register and the Extended Mode Register. See the Mode Register description in the register definition section. The MODE REGISTER SET command can only be issued when all banks are idle and no bursts are in progress, and a subsequent executable command cannot be issued until tMRD is met. The below figure shows in case of 2KByte page size. If the page size is 4KByte, A0~A12 are provided.



### MODE REGISTER SET COMMAND

**Note:** BA0=BA1=Low loads the Mode Register, whereas BA0=Low and BA1=High loads the Extended Mode Register.



Code = Mode Register / Extended Mode Register selection  
(BA0, BA1) and op-code (A0 - An)

### tMRD DEFINITION

### POWER DOWN

Power down occurs if CKE is set low coincident with Device Deselect or NOP command and when no accesses are in progress. If power down occurs when all banks are idle, it is Precharge Power Down.

If Power down occurs when one or more banks are Active, it is referred to as Active power down. The device cannot stay in this mode for longer than the refresh requirements of the device, without losing data. The power down state is exited by setting CKE high while issuing a Device Deselect or NOP command.

If power-down occurs when all banks are idle, this mode is referred to as precharge power-down; if power-down occurs when there is a row active in any bank, this mode is referred to as active power-down. Entering power-down deactivates the input and output buffers, excluding CKE, for maximum power savings while in standby.

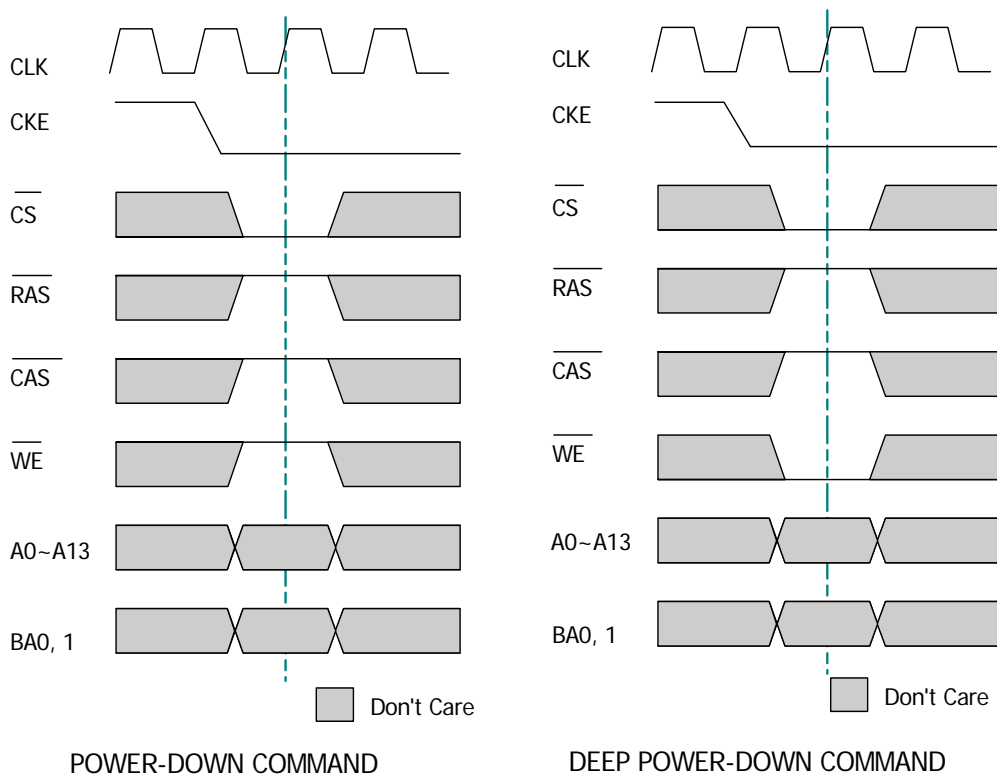
### DEEP POWER-DOWN

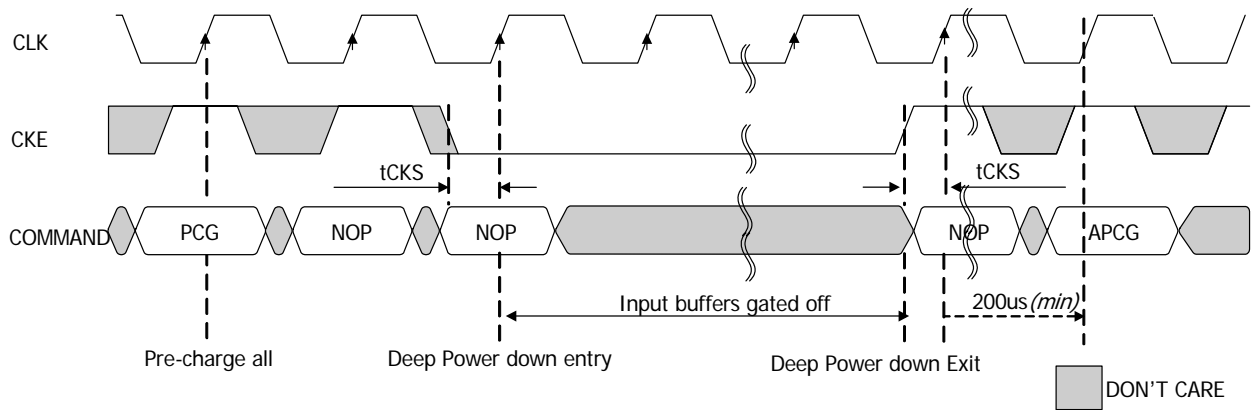
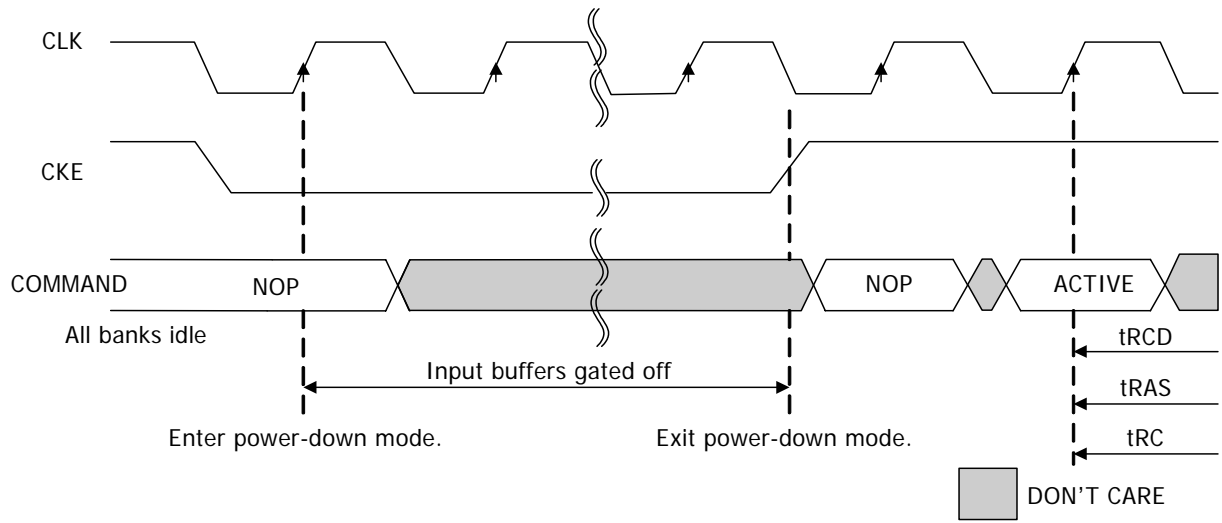
The Deep Power-Down (DPD) mode enables very low standby currents. All internal voltage generators inside the Mobile SDRAM are stopped and all memory data is lost in this mode.

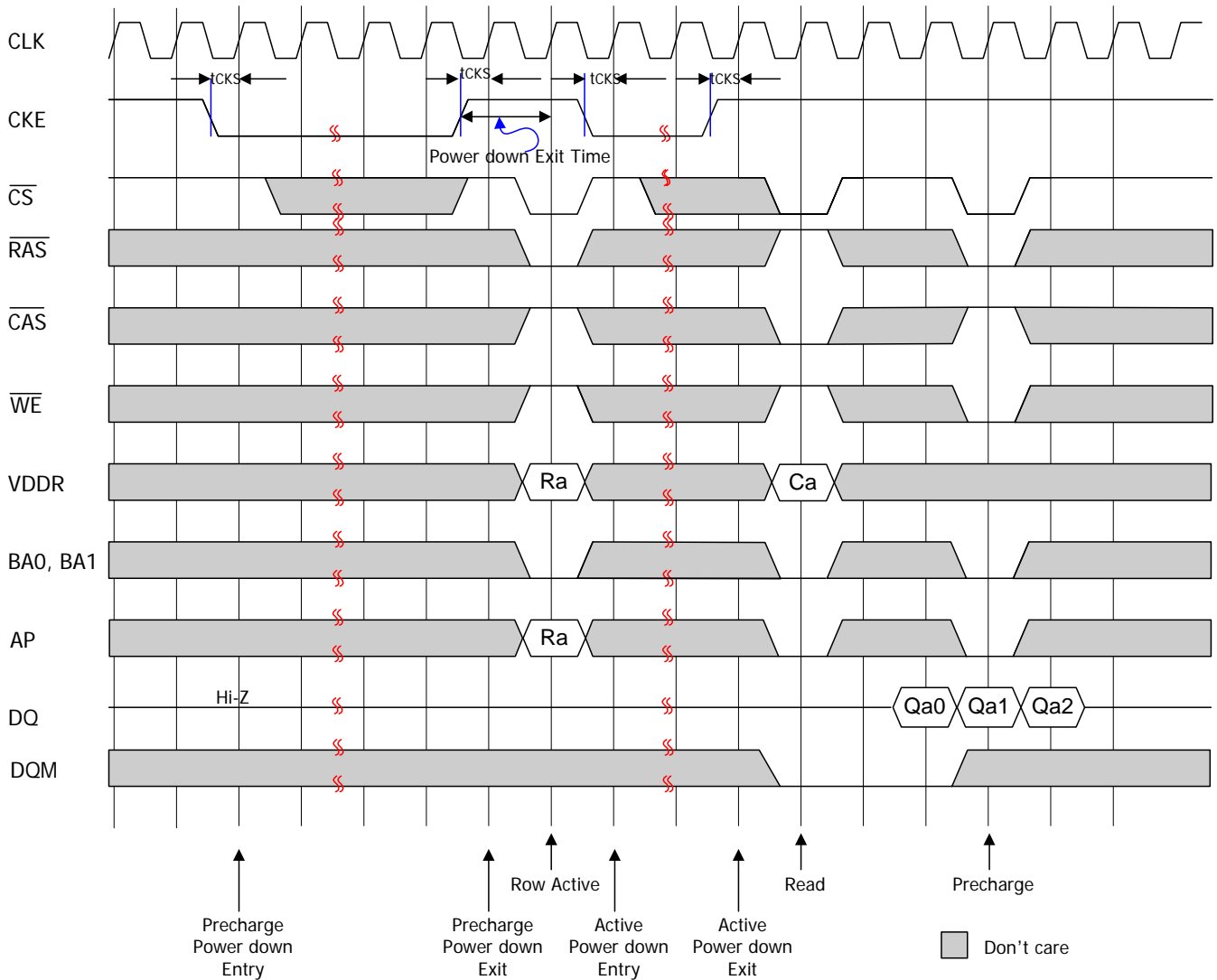
All the information in the Mode Register and the Extended Mode Register is lost. Next Figure, *DEEP POWER-DOWN COMMAND* shows the DEEP POWER-DOWN command. All banks must be in idle state with no activity on the data bus prior to entering the DPD mode. While in this state, CKE must be held in a constant low state.

To exit the DPD mode, CKE is taken high after the clock is stable and NOP command must be maintained for at least 200 us. After 200 us a complete re-initialization routing is required defined for the initialization sequence.

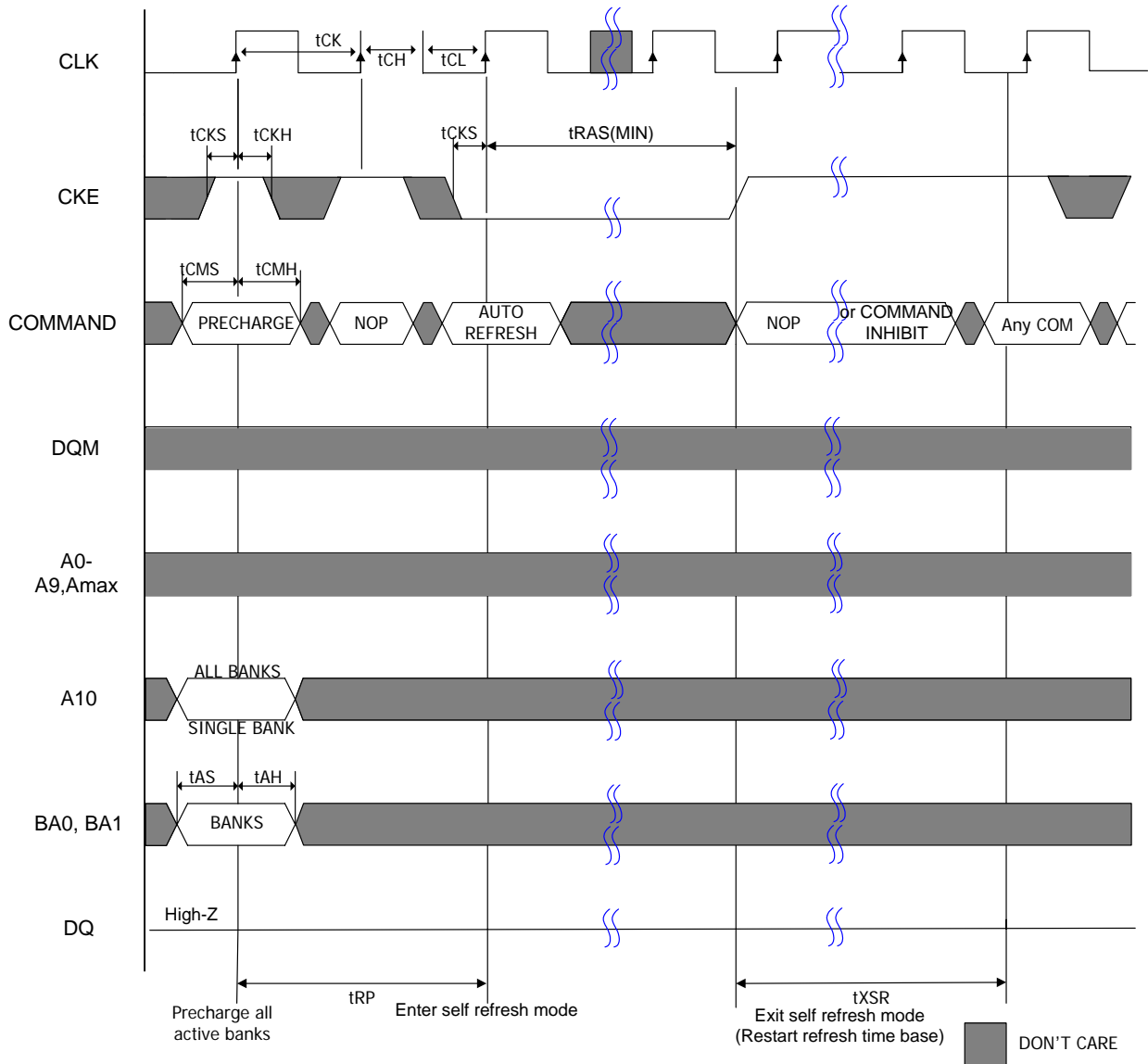
The below figure shows in case of 2KByte page size. If the page size is 4KByte, A0~A12 are provided.







Note : CKE should be set high at least 1CLK + tCKS prior to Row active command.



## Power-up and Initialization

Like a Synchronous DRAM, Low Power SDRAM(Mobile SDRAM) must be powered up and initialized in a predefined manner. Power must be applied to VDD and VDDQ(simultaneously). The clock signal must be started at the same time. After power up, an initial pause of 200 usec is required. And a precharge all command will be issued to the Mobile SDRAM. Then, 8 or more Auto refresh cycles will be provided. After the Auto refresh cycles are completed, a mode register set(MRS) command will be issued to program the specific mode of operation (Cas Latency, Burst length, etc.) And an extended mode register set command will be issued to program specific mode of self refresh operation(PASR). The following these cycles, the Mobile SDRAM is ready for normal operation.

## Programming the registers

### Mode Register

The mode register contains the specific mode of operation of the Mobile SDRAM. This register includes the selection of a burst length(1, 2, 4, 8, Full Page), a cas latency(1, 2 or 3), a burst type. The mode register set must be done before any activate command after the power up sequence. Any contents of the mode register be altered by re-programming the mode register through the execution of mode register set command.

### Extended Mode Register

The extended mode register contains the specific features of self refresh operation of the Mobile SDRAM. This register includes the selection of partial arrays to be refreshed(half array, quarter array, etc.). The extended mode register set must be done before any activate command after the power up sequence. Any contents of the mode register be altered by re-programming the mode register through the execution of extended mode register set command.

### Bank(Row) Active

The Bank Active command is used to activate a row in a specified bank of the device. This command is initiated by activating  $\overline{CS}$ ,  $\overline{RAS}$  and deasserting  $\overline{CAS}$ ,  $\overline{WE}$  at the positive edge of the clock. The value on the BA1 and BA0 selects the bank, and the value on the A0-A13(or A12 which depends on page size) selects the row. This row remains active for column access until a precharge command is issued to that bank. Read and write operations can only be initiated on this activated bank after the minimum trCD time is passed from the activate command.

### Read

The READ command is used to initiate the burst read of data. This command is initiated by activating  $\overline{CS}$ ,  $\overline{CAS}$ , and deasserting  $\overline{WE}$ ,  $\overline{RAS}$  at the positive edge of the clock. BA1 and BA0 inputs select the bank, A8-A0 address inputs select the starting column location. The value on input A10 determines whether or not Auto Precharge is used. If Auto Precharge is selected the row being accessed will be precharged at the end of the READ burst; if Auto Precharge is not selected, the row will remain active for subsequent accesses.

The length of burst and the CAS latency will be determined by the values programmed during the MRS command.

### Write

The WRITE command is used to initiate the burst write of data. This command is initiated by activating  $\overline{CS}$ ,  $\overline{CAS}$ ,  $\overline{WE}$  and deasserting  $\overline{RAS}$  at the positive edge of the clock. BA1 and BA0 inputs select the bank, A8-A0 address inputs select the starting column location. The value on input A10 determines whether or not Auto Precharge is used.

If Auto Precharge is selected the row being accessed will be precharged at the end of the WRITE burst; if Auto Precharge is not selected, the row will remain active for subsequent accesses.

### Precharge

The Precharge command is used to close the open row in a particular bank or the open row in all banks. When the precharge command is issued with address A10, high, then all banks will be precharged, and If A10 is low, the open row in a particular bank will be precharged. The bank(s) will be available when the minimum tRP time is met after the precharge command is issued.

### Auto Precharge

The Auto Precharge command is issued to close the open row in a particular bank after READ or WRITE operation. If A10 is high when a READ or WRITE command is issued, the READ or WRITE with Auto Precharge is initiated.

### Burst Termination

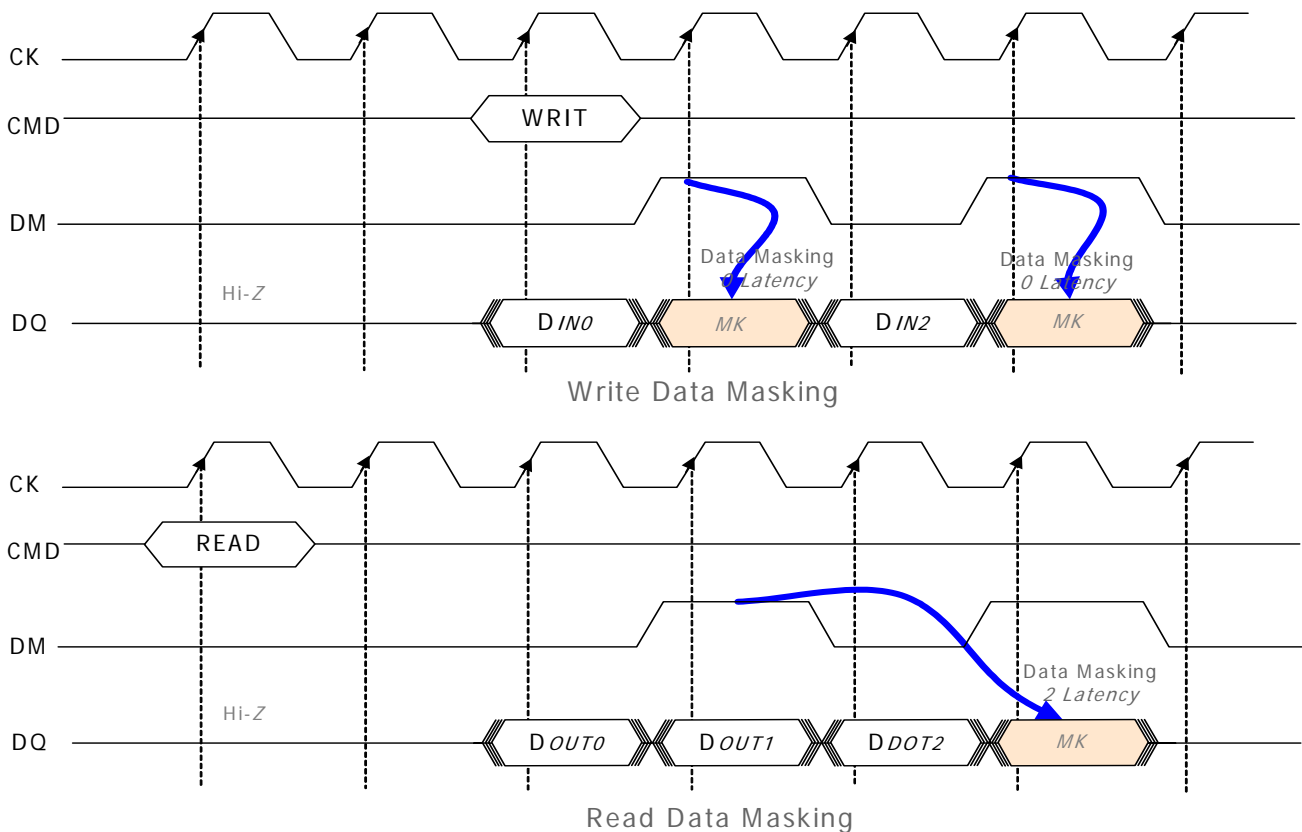
The Burst Termination is used to terminate the burst operation. This function can be accomplished by asserting a Burst Stop command or a Precharge command during a burst READ or WRITE operation. The Precharge command interrupts a burst cycle and close the active bank, and the Burst Stop command terminates the existing burst operation leave the bank open.

### Data Mask

The Data Mask command is used to mask READ or WRITE data. During a READ operation, When this command is issued, data outputs are disabled and become high impedance after two clock delay. During a WRITE operation, When this command is issued, data inputs can't be written with no clock delay.

If data mask is initiated by asserting low on DQM during the read cycle, the data outputs are enabled.

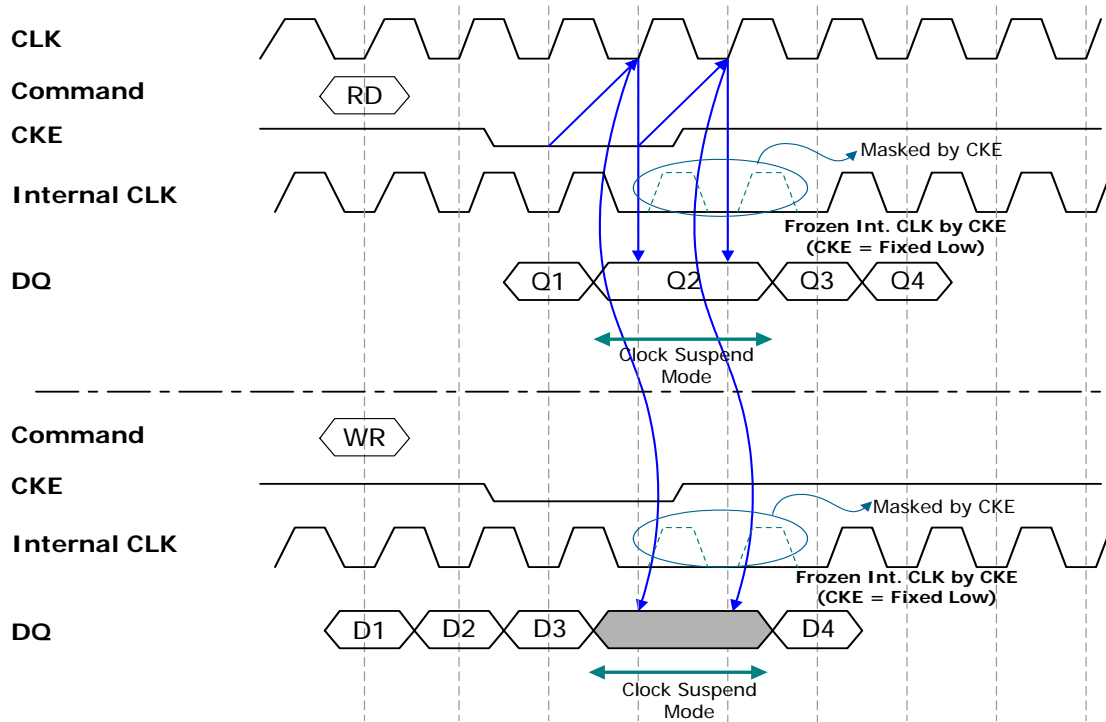
If DQM is asserted to High, the data outputs are masked (disabled) and become Hi-Z state after 2 cycle later. During the write cycle, DQM mask data input with zero latency





### Clock Suspend

The Clock Suspend command is used to suspend the internal clock of Mobile SDRAM. The clock suspend operation stops transmission of the clock to the internal circuits of the device during burst transfer of data to stop the operation of the device. During normal access mode, CKE is keeping High. When CKE is low, it freezes the internal clock and extends data Read and Write operations. (See examples in next Figures)



## Power Down

The Power Down command is used to reduce standby current. Before this command is issued, all banks must be pre-charged and tRP must be passed after a precharge command. Once the Power Down command is initiated by keeping CKE low, all of the input buffer except CKE are gated off.

## Auto Refresh

The Auto Refresh command is used during normal operation and is similar to CBR refresh in Conventional DRAMs. This command must be issued each time a refresh is required. When an Auto Refresh command is issued, the address bits is "Don't care", because the specific address bits is generated by internal refresh address counter.

## Self Refresh

The Self Refresh command is used to retain cell data in the Mobile SDRAM. In the Self Refresh mode, the Mobile SDRAM operates refresh cycle asynchronously.

The Self Refresh command is initiated like an Auto Refresh command except CKE is disabled(Low). The Mobile SDRAM can accomplish a special Self Refresh operation by the specific modes(PASR) programmed in extended mode registers. The Mobile SDRAM can control the refresh rate automatically by the temperature value of Auto TCSR(Temperature Compensated Self Refresh) to reduce self refresh current and select the memory array to be refreshed by the value of PASR(Partial Array Self Refresh). The Mobile SDRAM can reduce the self refresh current(IDD6) by using these two modes.

## Deep Power Down

The Deep Power Down Mode is used to achieve maximum power reduction by cutting the power of the whole memory array of the devices.

For more information, see the special operation for Low Power consumption of this data sheet.

## Special Operation for Low Power Consumption

### Deep Power Down Mode

Deep Power Down Mode is an operating mode to achieve maximum power reduction by cutting the power of the whole memory array of the devices.

Data will not be retained once the device enters Deep Power Down Mode.

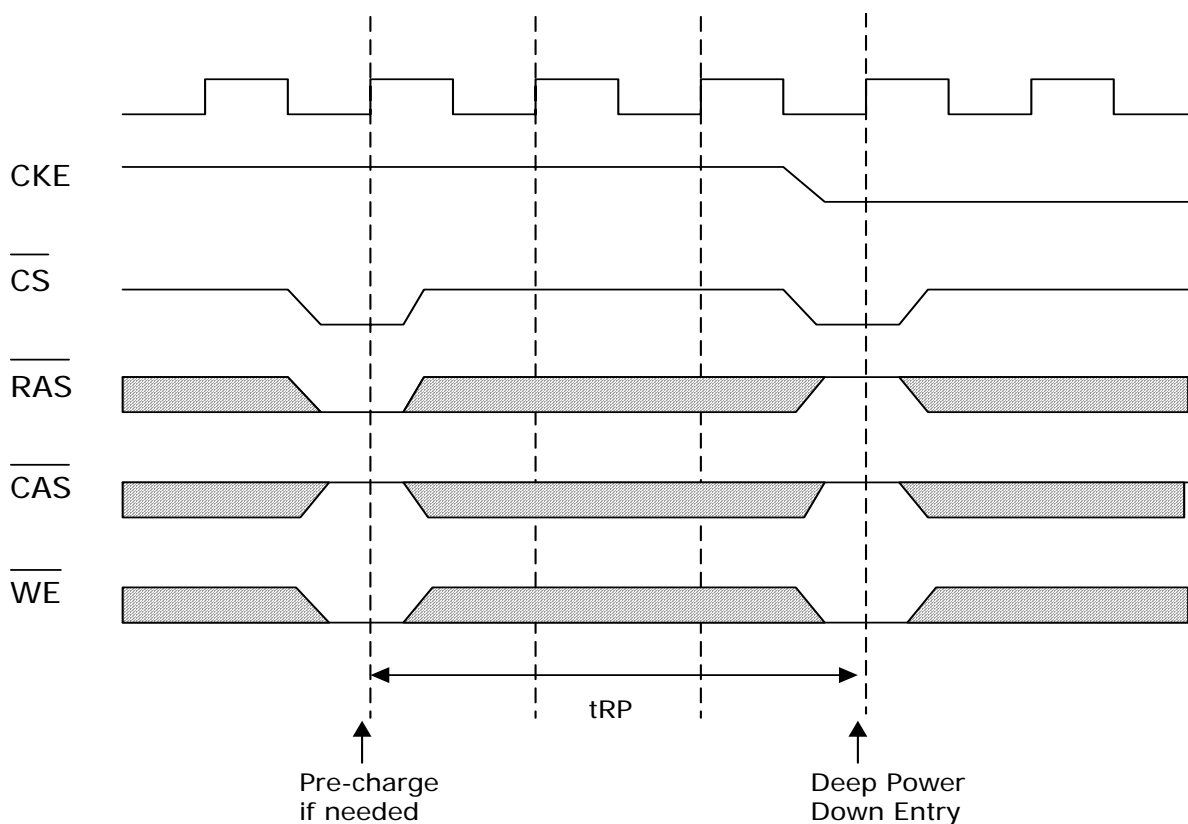
Full initialization is required when the device exits from Deep Power Down Mode.

### Truth Table

| Current State   | Command               | CKEn-1 | CKEn | $\overline{CS}$ | $\overline{RAS}$ | $\overline{CAS}$ | $\overline{WE}$ |
|-----------------|-----------------------|--------|------|-----------------|------------------|------------------|-----------------|
| Idle            | Deep Power Down Entry | H      | L    | L               | H                | H                | L               |
| Deep Power Down | Deep Power Down Exit  | L      | H    | X               | X                | X                | X               |

### Deep Power Down Mode Entry

The Deep Power Down Mode is entered by having  $\overline{CS}$  and  $\overline{WE}$  held low with  $\overline{RAS}$  and  $\overline{CAS}$  high at the rising edge of the clock, while CKE is low. The following diagram illustrates deep power down mode entry.



## Deep Power Down Mode (Continued)

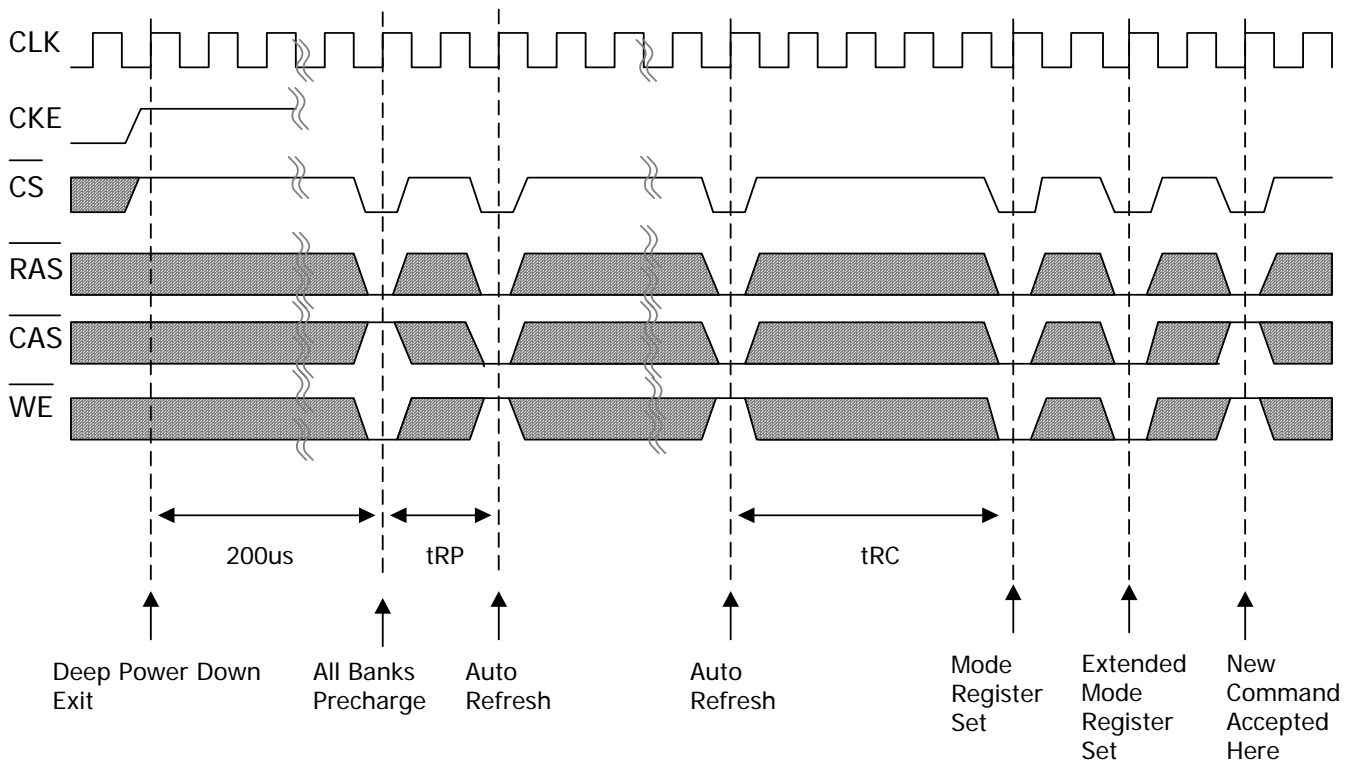
### Deep Power Down Mode Exit Sequence

The Deep Power Down mode is exited by asserting CKE high.

After the exit, the following sequence is needed to enter a new command.

1. Maintain NOP input conditions for a minimum of 200usec
2. Issue precharge commands for all banks of the device
3. Issue 8 or more auto refresh commands
4. Issue a mode register set command to initialize the mode register
5. Issue an extended mode register set command to initialize the extended mode register

The following timing diagram illustrates deep power down mode exit sequence.



### PACKAGE INFORMATION

90 Ball FBGA 0.8mm pitch (Size 8.0mm x 13.0mm)

