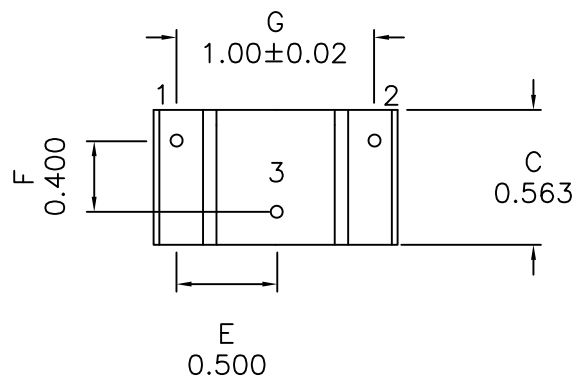
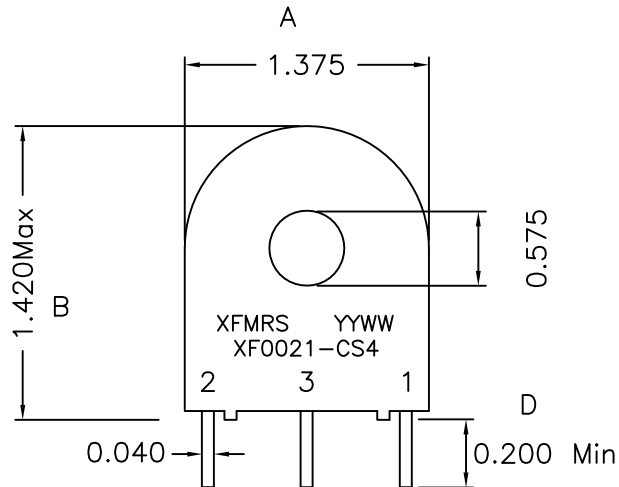
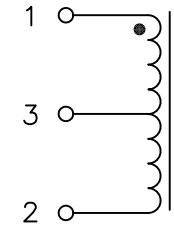


1. Mechanical Dimensions:



2. Schematic:



3. Electrical Specifications: @25°C

OCL: Pins 1-2 2.00H Min @1KHz, 1V

Q: Pins 1-2 30 Min @1KHz, 1V

Load Resistance: 50 Ohms

Rated Current: 50A Max

Sensitivity: 1A in = 0.046V out

Turns: 1000

DCR: Pins 1-2 35 Ohms Max

SRF: Pins 1-2 1.0KHz Min

Notes:

1. Solderability: Leads shall meet MIL-STD-202G, Method 208H for solderability.
2. Flammability: UL94V-0
3. ASTM oxygen index: > 28%
4. Insulation System: Class F 155°C. UL file E151556
5. Operating Temperature Range: All listed parameters are to be within tolerance from -40°C to +85°C
6. Storage Temperature Range: -55°C to +125°C
7. Aqueous wash compatible
8. Electrical and mechanical specifications 100% tested
9. RoHS Compliant Component

DOC. REV: A/3

XFMR5 Inc. www.XFMR5.com		Title: CURRENT SENSING TRANSFORMER	
UNLESS OTHERWISE SPECIFIED TOLERANCES: .xxx±0.010 Dimensions in INCH		P/N: XF0021-CS4	REV. A
SHEET 1 OF 1		DWN.	Xiang
		CHK.	YK Liao
		APP.	BW
			Dec-08-15
			Dec-08-15
			Dec-08-15