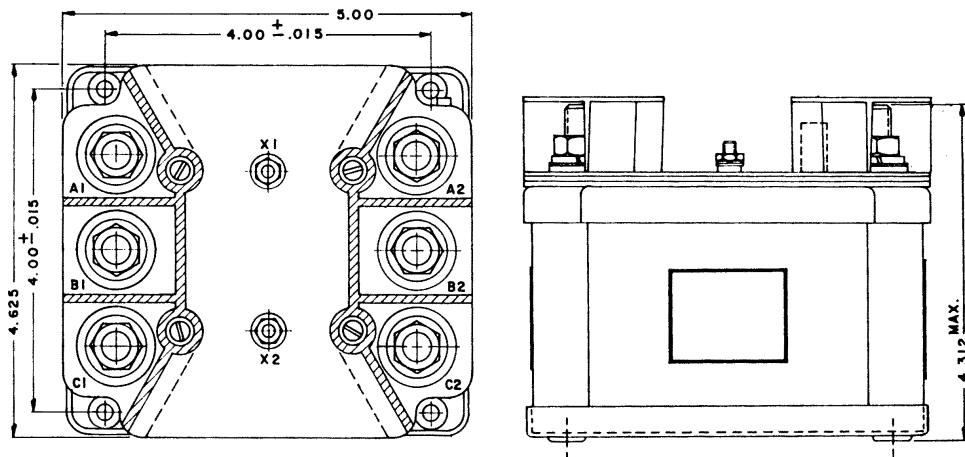


**B-125N 3PST N.O., 150 Amps,
208 VAC, 400 Hz**

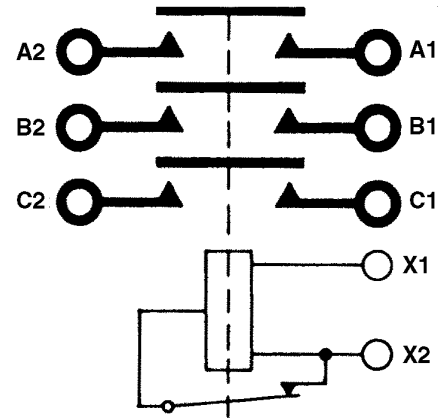
Features:

- 3PST N.O. Main Contacts
- Economizing Coil
- 208 VAC, 400 Hz
- 150 Amps
- High Reliability
- Meets many requirements of MIL-R-6106



Dimensions for this product are expressed in inches.
Multiply values by 25.4 for millimeters.

CONTACTOR CONFIGURATION



Notes:

PRODUCT SPECIFICATIONS	
Construction	Gasket Sealed, Vented
Main Contacts:	
Configuration	3PST N.O.
Voltage (Nominal)	208 VAC, 400 Hz
Current (Resistive)	150 Amps
Coil Data:	
Duty Cycle	Continuous (Economizing)
Voltage (Nominal)	28 VDC
Pick-Up Voltage	18 VDC Maximum
Drop-Out Voltage	1.5 - 7 VDC
Coil Current @ 28 VDC & +25°C	
In-Rush	8 Amps Maximum
Hold	0.6 Amps Maximum
Operating Temperature	-55°C to +71°C
Weight	4 Lbs. 14 Oz.

For factory-direct application assistance, contact the HARTMAN product team at (419) 521-9500, Fax (419) 526-2749.

© 2004 by Tyco Electronics Corporation. All Rights Reserved.
HARTMAN and TYCO are trademarks.