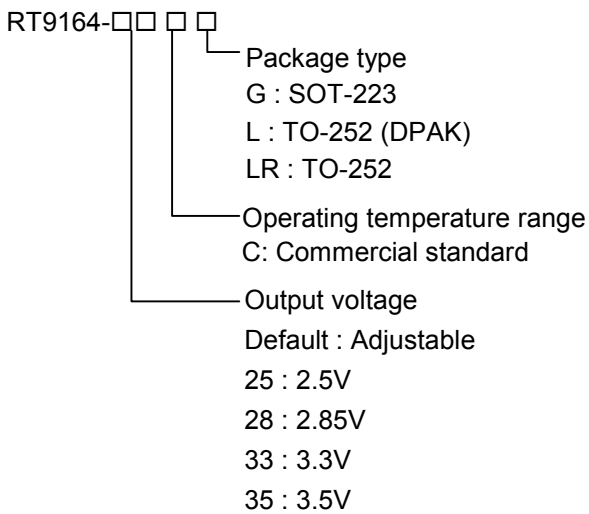


1A Fixed and Adjustable Low Dropout Positive Voltage Regulators

General Description

The RT9164 series of high performance positive voltage regulators is designed for applications requiring low dropout performance at fully rated current. Additionally, the RT9164 series provides excellent regulation over variations in line and load. Outstanding features include low dropout performance at rated current, fast transient response, internal current-limiting, and thermal-shutdown protection of the output device. The RT9164 series of three terminal regulators offers fixed and adjustable voltage options available in space-saving SOT-223, and TO-252 packages.

Ordering Information



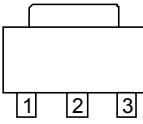
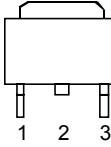
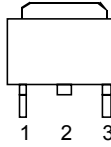
Features

- **Low Dropout Performance, 1.4V Max.**
- **Full Current Rating Over Line and Temperature**
- **Fast Transient Response**
- **±1% Output Voltage Accuracy**
- **2.5V, 2.85V, 3.3V, and 3.5V Fixed/Adjustable Output Voltage**
- **SOT-223 and TO-252 Packages**

Applications

- Active SCSI Termination
- Low Voltage Microcontrollers
- Switching Power Supply Post-Regulator

Pin Configurations

Part Number	Pin Configurations	
RT9164-□□CG (Plastic SOT-223)		TOP VIEW 1. ADJ/GND 2. VOUT (TAB) 3. VIN
RT9164-□□CL (Plastic TO-252)		TOP VIEW 1. ADJ/GND 2. VOUT (TAB) 3. VIN
RT9164-□□CLR (Plastic TO-252)		TOP VIEW 1. VIN 2. GND (TAB) 3. VOUT

Absolute Maximum Ratings

- Input Voltage 12V
- Package Thermal Resistance
 - SOT-223, θ_{JC} 15°C/W
 - SOT-223, θ_{JA} ⁽¹⁾ 60°C/W
 - TO-252, θ_{JC} 15°C/W
 - TO-252, θ_{JA} ⁽¹⁾ 56°C/W
- Operating Junction Temperature Range 0°C to 125°C
- Storage Temperature Range -65°C to 150°C
- Lead Temperature (Soldering, 10 sec.) 260°C

Note: (1) Minimum pad size of 0.038 IN²

Electrical Characteristics

(T_A = 25°C, unless otherwise specified)

Parameter		Symbol	Test Conditions	Min	Typ	Max	Units
Reference Voltage ⁽¹⁾	RT9164	V _{REF}	I _{OUT} = 10mA, (V _{IN} -V _{OUT}) = 2V, T _A = 25°C	1.238	1.250	1.262	V
			10mA < I _{OUT} < 1A, 1.4V < V _{IN} -V _{OUT} < 10V	1.225	1.250	1.270	V
Output Voltage ⁽¹⁾	RT9164-25	V _{OUT}	I _{OUT} = 10mA, V _{IN} = 4.0V, T _J = 25°C	2.475	2.500	2.525	V
			0 < I _{OUT} < 1A, 4.0V < V _{IN} < 10V	2.450	2.500	2.550	V
	RT9164-28	V _{OUT}	I _{OUT} = 10mA, V _{IN} = 4.25V, T _J = 25°C	2.820	2.850	2.880	V
			0 < I _{OUT} < 1A, 4.25V < V _{IN} < 10V	2.790	2.850	2.910	V
	RT9164-33	V _{OUT}	I _{OUT} = 10mA, V _{IN} = 4.75V, T _J = 25°C	3.267	3.300	3.333	V
			0 < I _{OUT} < 1A, 4.75V < V _{IN} < 10V	3.235	3.300	3.365	V
	RT9164-35	V _{OUT}	I _{OUT} = 10mA, V _{IN} = 5V, T _J = 25°C	3.465	3.500	3.535	V
			0 < I _{OUT} < 1A, 5.0V < V _{IN} < 10V	3.430	3.500	3.570	V
Line Regulation ⁽¹⁾	RT9164	ΔV _{LINE}	I _{OUT} = 10mA, 1.5V ≤ V _{IN} -V _{OUT} ≤ 10V	--	0.1	0.3	%
	RT9164-25		I _{OUT} = 0mA, 4.0V ≤ V _{IN} ≤ 12V	--	1	6	mV
	RT9164-28		I _{OUT} = 0mA, 4.25V ≤ V _{IN} ≤ 12V	--	1	6	mV
	RT9164-33		I _{OUT} = 0mA, 4.75V ≤ V _{IN} ≤ 12V	--	1	6	mV
	RT9164-35		I _{OUT} = 0mA, 5.0V ≤ V _{IN} ≤ 12V	--	1	6	mV
Load Regulation ⁽¹⁾	RT9164	ΔV _{LOAD}	(V _{IN} -V _{OUT}) = 3V, 0mA ≤ I _{OUT} ≤ 1A	--	0.2	0.4	%
	RT9164-25		V _{IN} = 4.0V, 0 ≤ I _{OUT} ≤ 1A	--	1	10	mV
	RT9164-28		V _{IN} = 4.25V, 0 ≤ I _{OUT} ≤ 1A	--	1	10	mV
	RT9164-33		V _{IN} = 4.75V, 0 ≤ I _{OUT} ≤ 1A	--	1	10	mV
	RT9164-35		V _{IN} = 5.0V, 0 ≤ I _{OUT} ≤ 1A	--	1	15	mV

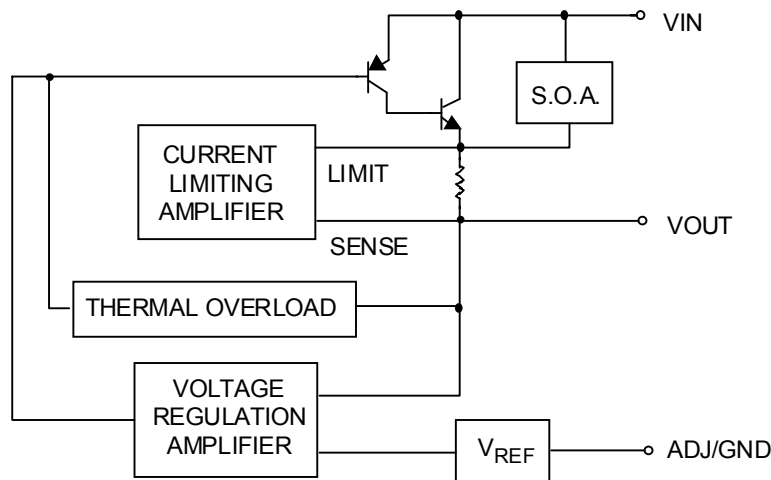
To be continued

Parameter	Symbol	Test Conditions	Min	Typ	Max	Units	
Dropout Voltage ⁽²⁾	V _{DROP}	I _{OUT} = 100mA	--	1.1	1.2	V	
		I _{OUT} = 500mA	--	1.15	1.25	V	
		I _{OUT} = 800mA	--	1.2	1.3	V	
		I _{OUT} = 1000mA	--	1.3	1.4	V	
Current Limit	I _{LIMIT}	V _{IN} = 5V	1000	--	2000	mA	
Minimum Load Current	RT9164	(V _{IN} -V _{OUT}) = 2V	--	5	10	mA	
Quiescent Current	RT9164-XX	I _Q	V _{IN} = 5V	--	5	10	mA
Ripple Rejection	PSRR	f _{RIPPLE} = 120Hz , (V _{IN} - V _{OUT}) = 2V, V _{RIPPLE} = 1V _{P-P}	--	72	--	dB	
Adjust Pin Current	I _{ADJ}		--	65	120	μA	
Adjust Pin Current Change	ΔI _{ADJ}	10mA ≤ I _{OUT} ≤ 1A, V _{IN} = 5V	--	0.2	5	μA	

Notes:

- (1) Low duty cycle pulse testing with Kelvin connections.
- (2) ΔV_{OUT} and ΔV_{REF} = 1%.

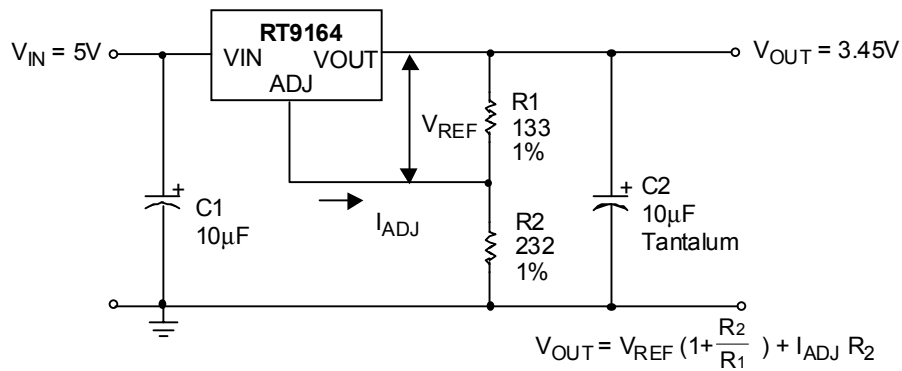
Function Block Diagram



Pin Description

Pin Name	Pin Function
ADJ/GND	Adjust or Ground
VOUT	Output Voltage
VIN	Power Input

Typical Application Circuit



- (1) C1 needed if device is far from filter capacitors.
- (2) C2 required for stability.

Fig. 1 Adjustable Voltage Regulator

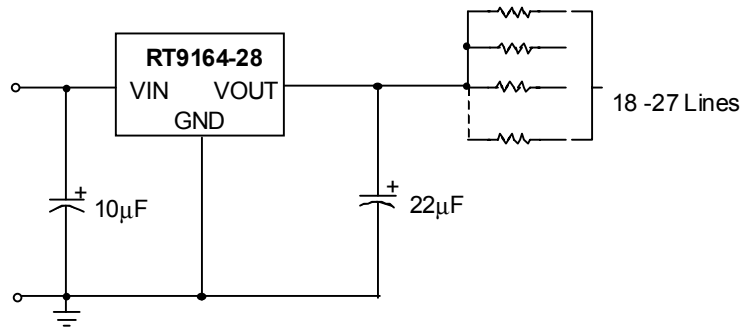
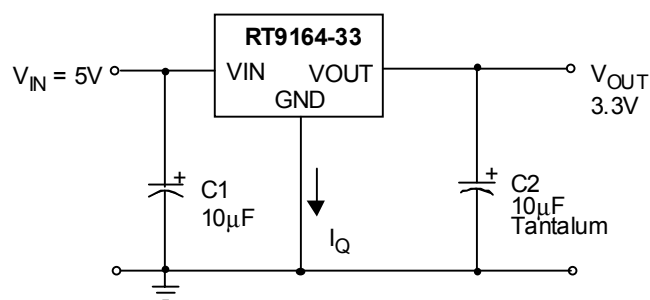


Fig. 2 Active SCSI Bus Terminator

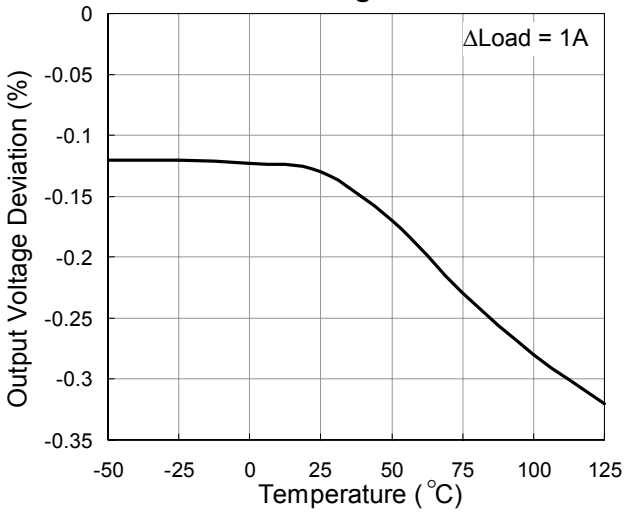


- (1) C1 needed if device is far from filter capacitors.
- (2) C2 required for stability.

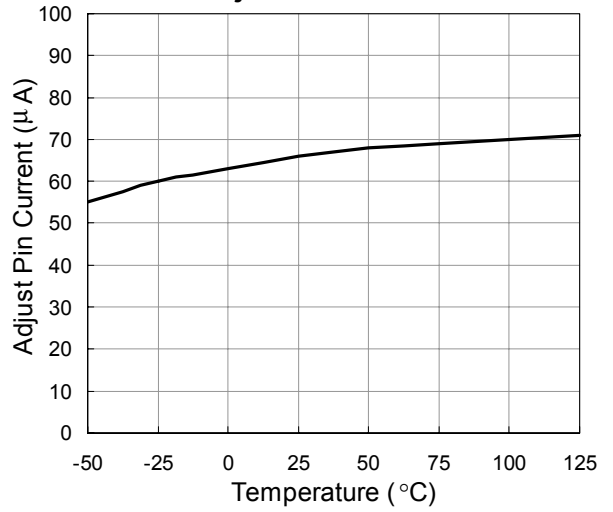
Fig. 3 Fixed Voltage Regulator

Typical Operating Characteristics

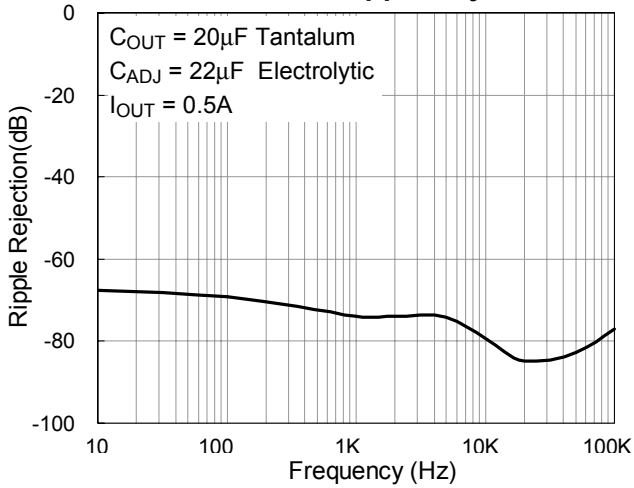
Load Regulation



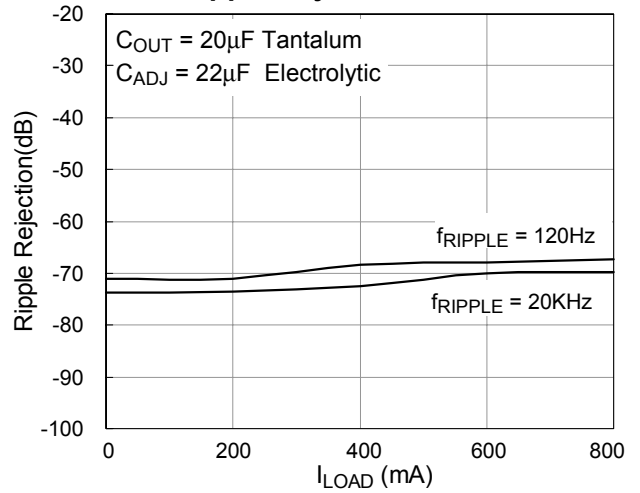
Adjust Pin Current



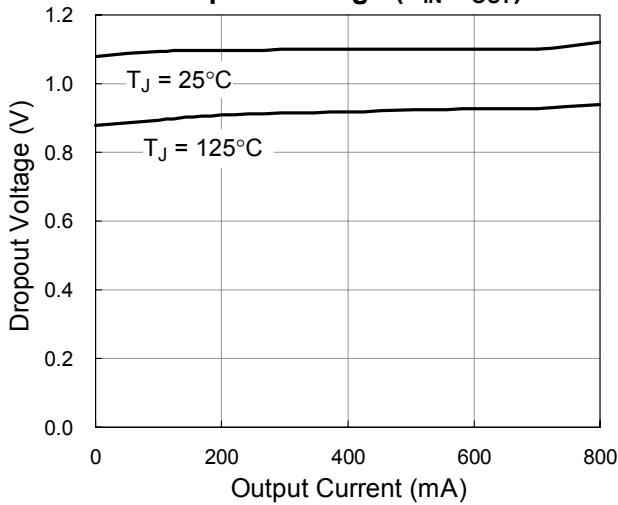
RT9164-ADJ Ripple Rejection



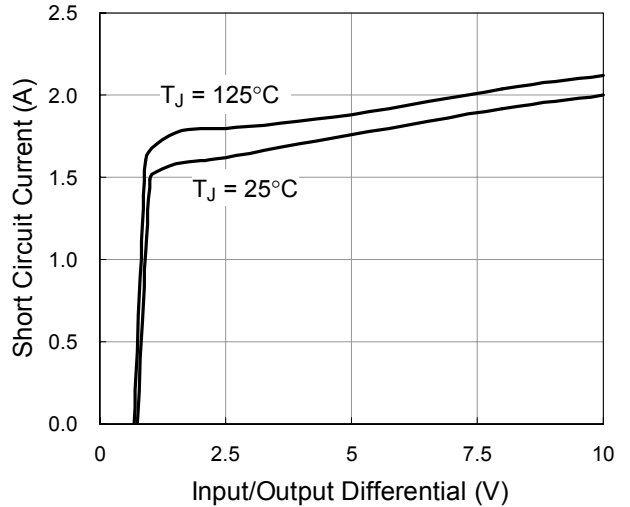
Ripple Rejection & Current



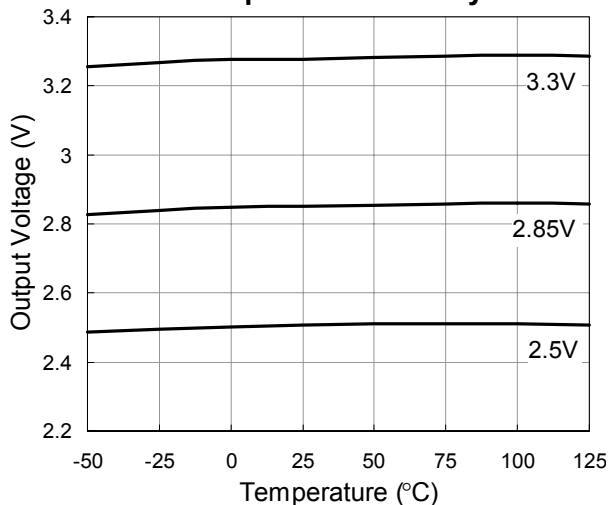
Dropout Voltage ($V_{IN}-V_{OUT}$)



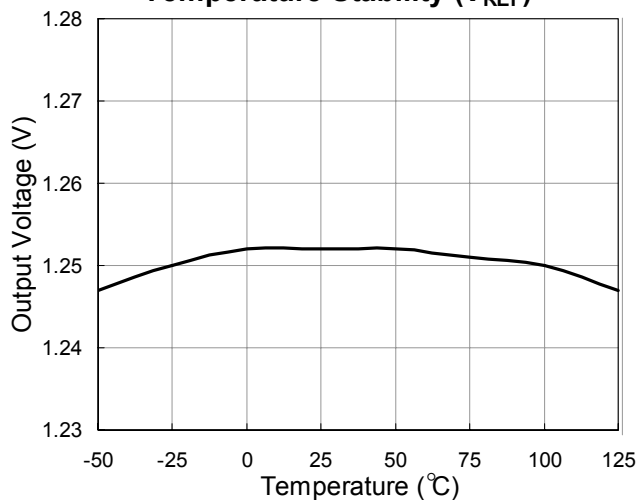
Short-Circuit Current



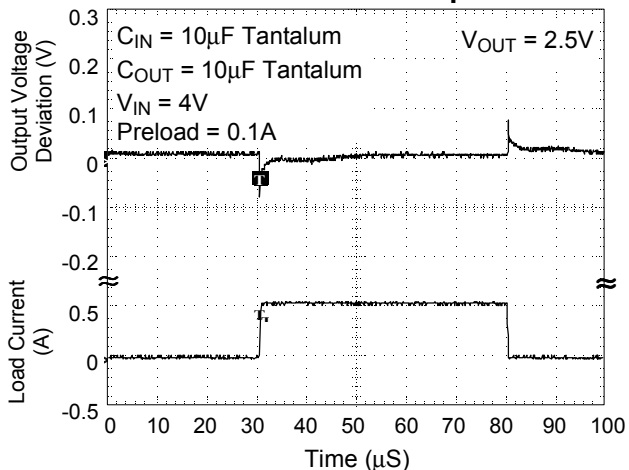
Temperature Stability



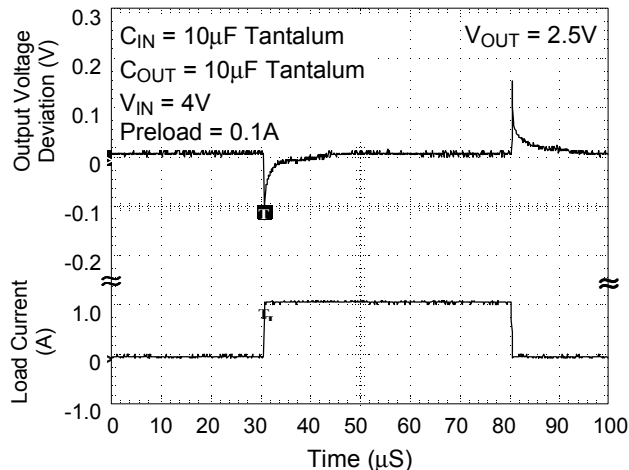
Temperature Stability (V_{REF})



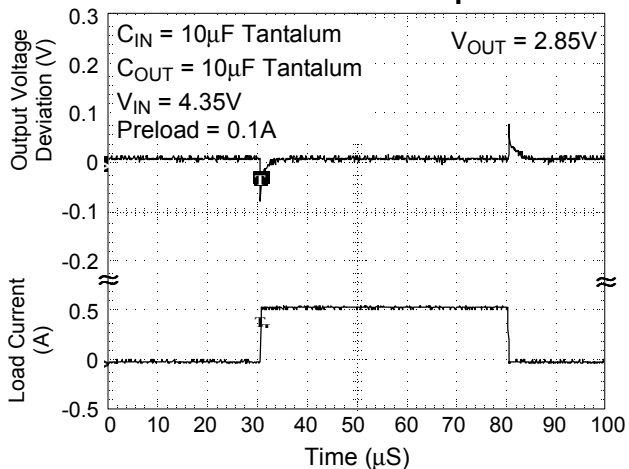
Load Transient Response



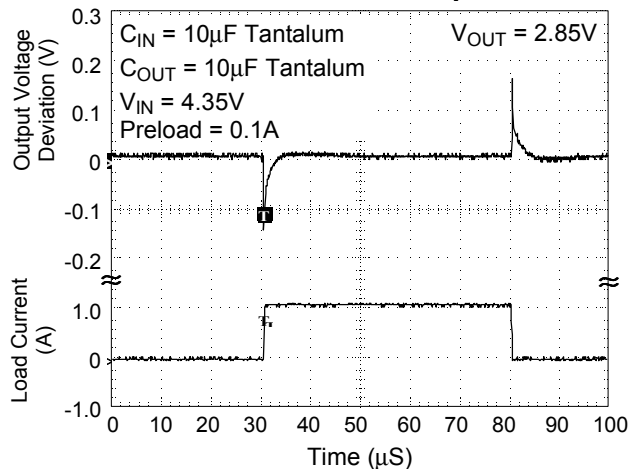
Load Transient Response



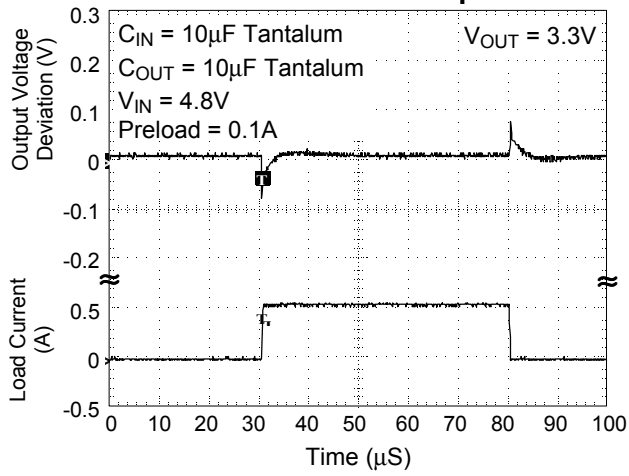
Load Transient Response



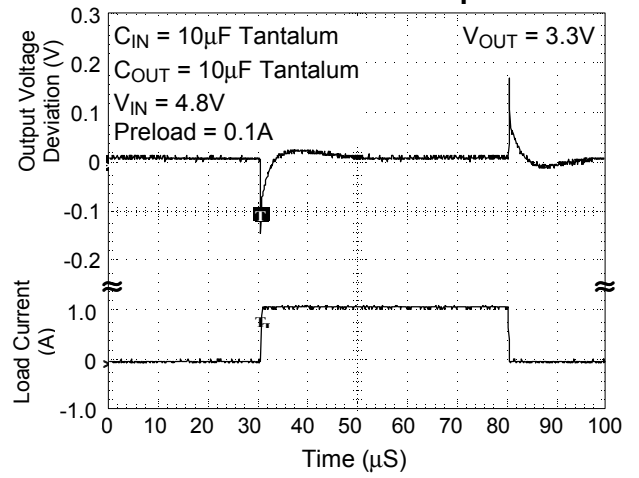
Load Transient Response



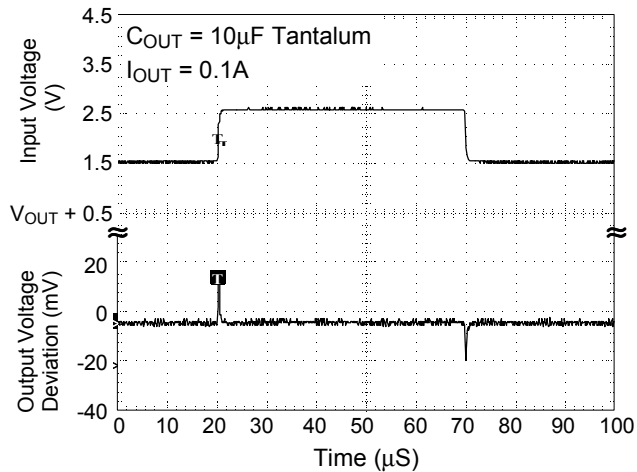
Load Transient Response



Load Transient Response



Line Transient Response



Application Information

Output voltage adjustment

Like most regulators, the RT9164 regulates the output by comparing the output voltage to an internally generated reference voltage. On the adjustable version as shown in Fig.4, the V_{REF} is available externally as 1.25V between V_{OUT} and ADJ. The voltage ratio formed by R1 and R2 should be set to conduct 10mA (minimum output load). The output voltage is given by the following equation:

$$V_{OUT} = V_{REF} \left(1 + \frac{R1}{R2}\right) + I_{ADJ} \times R2$$

On fixed versions of RT9164, the voltage divider is provided internally.

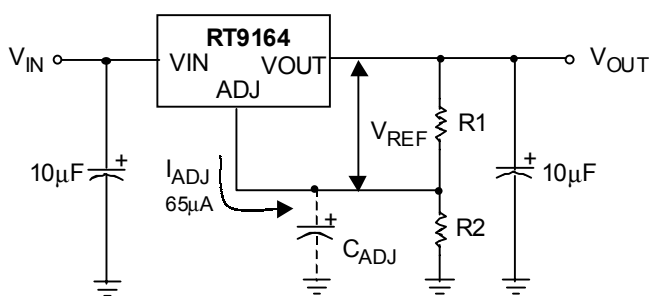


Fig. 4 Basic Adjustable Regulator

Input Bypass Capacitor

An input capacitor is recommended. A 10µF tantalum on the input is a suitable input bypassing for almost all applications.

Adjust Terminal Bypass Capacitor

The adjust terminal can be bypassed to ground with a bypass capacitor (C_{ADJ}) to improve ripple rejection. This bypass capacitor prevents ripple from being amplified as the output voltage is increased. At any ripple frequency, the impedance of the C_{ADJ} should be less than R1 to prevent the ripple from being amplified:

$$(2\pi * f_{RIPPLE} * C_{ADJ}) < R1$$

The R1 is the resistor between the output and the adjust pin. Its value is normally in the range of 100-

200Ω. For example, with $R1 = 124\Omega$ and $f_{RIPPLE} = 120\text{Hz}$, the C_{ADJ} should be $> 11\mu\text{F}$.

Output Capacitor

RT9164 requires a capacitor from V_{OUT} to GND to provide compensation feedback to the internal gain stage. This is to ensure stability at the output terminal. Typically, a 10µF tantalum or 50µF aluminum electrolytic is sufficient.

Note: It is important that the ESR for this capacitor does not exceed 0.5Ω.

The output capacitor does not have a theoretical upper limit and increasing its value will increase stability. $C_{OUT} = 100\mu\text{F}$ or more is typical for high current regulator design.

Load Regulation

When the adjustable regulator is used (Fig.5), the best load regulation is accomplished when the top of the resistor divider (R1) is connected directly to the output pin of the RT9164. When so connected, R_P is not multiplied by the divider ratio. For Fixed output version, the top of R1 is internally connected to the output and ground pins can be connected to low side of the load.

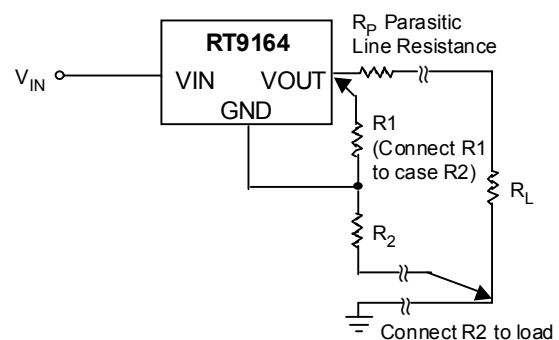


Fig. 5 Best Load Regulation Using Adjustable Output Regulator

Thermal Protection

RT9164 has thermal protection which limits junction temperature to 150°C. However, device functionality

is only guaranteed to a maximum junction temperature of +125°C. The power dissipation and junction temperature for RT9164 in DPAK package are given by

$$P_D = (V_{IN} - V_{OUT}) \times I_{OUT}$$

$$T_{JUNCTION} = T_{AMBIENT} + (P_D \times \theta_{JA})$$

Note: $T_{JUNCTION}$ must not exceed 125°C

Current Limit Protection

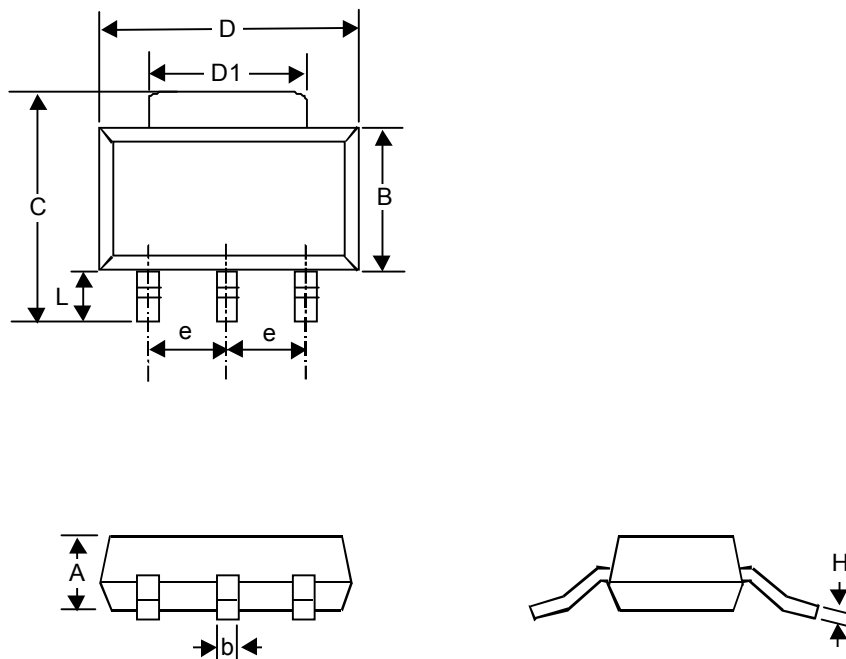
RT9164 is protected against overload conditions. Current protection is triggered at typically 1.6A.

Thermal Consideration

The RT9164 series contain thermal limiting circuitry designed to protect itself from over-temperature conditions. Even for normal load conditions, maximum junction temperature ratings must not be exceeded. As mention in thermal protection section, we need to consider all sources of thermal resistance between junction and ambient. It includes junction-to-case, case-to-heat-sink interface, and heat sink thermal resistance itself.

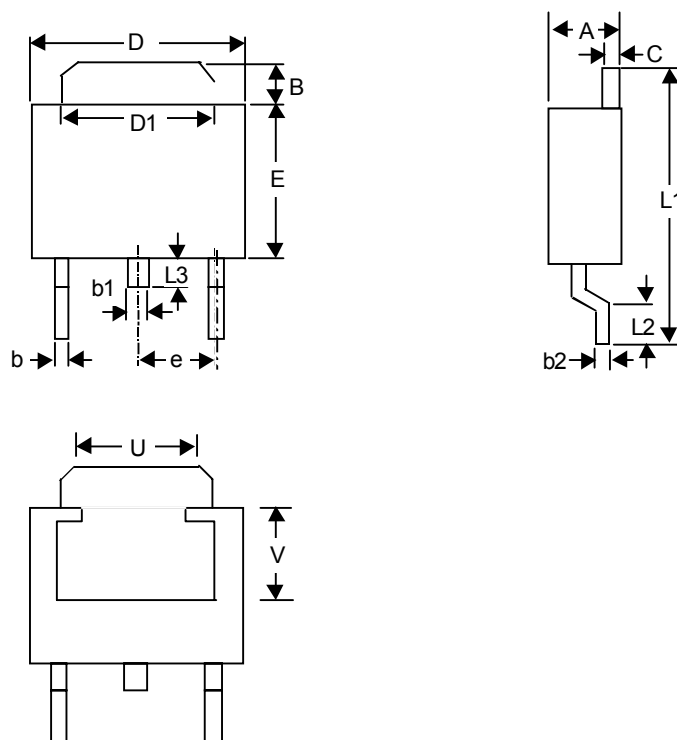
Junction-to-case thermal resistance is specified from the IC junction to the bottom of the case directly below the die. Proper mounting is required to ensure the best possible thermal flow from this area of the package to the heat sink. The case of all devices in this series is electrically connected to the output. Therefore, if the case of the device must be electrically isolated, a thermally conductive spacer is recommended.

Package Information



Symbol	Dimensions In Millimeters		Dimensions In Inches	
	Min	Max	Min	Max
A	--	1.803	--	0.071
b	0.610	0.787	0.024	0.031
B	3.302	3.708	0.130	0.146
C	6.706	7.290	0.264	0.287
D	6.299	6.706	0.248	0.264
D1	2.896	3.150	0.114	0.124
e	2.261	2.362	0.089	0.093
H	0.229	0.330	0.009	0.013
L	0.914	--	0.036	--

3-Lead SOT-223 Plastic Surface Mount



Symbol	Dimensions In Millimeters		Dimensions In Inches	
	Min	Max	Min	Max
A	2.184	2.388	0.086	0.094
B	0.889	2.032	0.035	0.080
b	0.508	0.889	0.020	0.035
b1	1.016 Ref.		0.040 Ref.	
b2	0.457	0.584	0.018	0.023
C	0.457	0.584	0.018	0.023
D	6.350	6.731	0.250	0.265
D1	5.207	5.461	0.205	0.215
E	5.334	6.223	0.210	0.245
e	2.108	2.438	0.083	0.096
L1	9.398	10.414	0.370	0.410
L2	0.508	--	0.020	--
L3	0.635	1.016	0.025	0.040
U	3.810 Ref.		0.150 Ref.	
V	3.048 Ref.		0.120 Ref.	

3-Lead TO-252 Plastic Surface Mount Package

RICHTEK TECHNOLOGY CORP.

Headquarter

6F, No. 35, Hsintai Road, Chupei City

Hsinchu, Taiwan, R.O.C.

Tel: (8863)5510047 Fax: (8863)5537749

RICHTEK TECHNOLOGY CORP.

Taipei Office (Marketing)

4F-1, No. 127, Lane 235, Paochia Road, Hsintien City

Taipei County, Taiwan, R.O.C.

Tel: (8862)89191466 Fax: (8862)89191465

Email: marketing@richtek-ic.com.tw