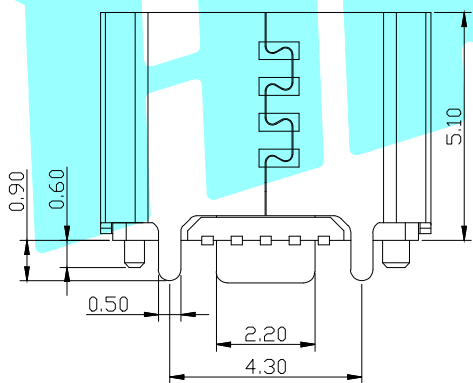
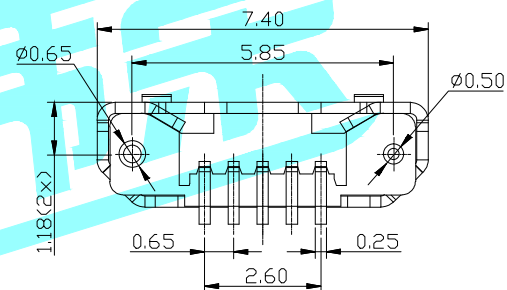
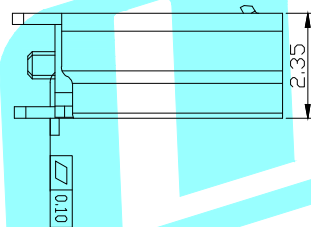
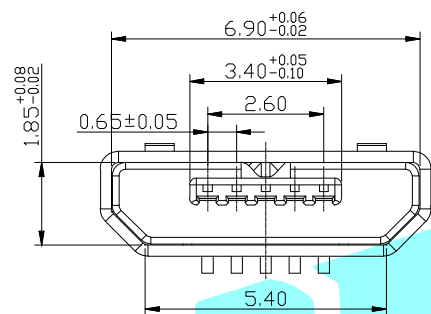


RECOMMENDED PCB LAYOUT



Note:

1. Material:

- 1.1 Housing: lcp+g.f,UL94-V0,black
- 1.2 Contact: c2680, Au/Ni plated
- 1.3 Shell: sus201 or sus301
mattle-tin or Nickel plated.

2. Specification:

- 2.1 Current rating: 1 A Max.
- 2.2 Dielectric withstanding
voltage: 100 V(ac) for 1 min.
- 2.3 Contact resistance: 30 MΩ Max.
- 2.4 Insulation resistance: 100 MΩ Min.
- 2.5 Total mating force: 3.57 Kg Max.
- 2.6 Total unmating force: 1.0 Kg Min.
- 2.7 Temperature range: -30°C~80°C

APPROVALS		DATE	HRO® ELECTRONICS CO.,LTD			
DRAWN	LIUCAN	2021.4.8	TITLE:	USB CONNECTOR		
CHECKED			PART NO.	U-D-M5DS-W-3		
APPROVALS			UNIT: mm	SCALE: 1:1	PROJ:	
TOLERANCES ARE	30~以上 10~30 5~10 ~ 5	±0.30 ±0.20 ±0.15 ±0.10	ANGLE	DRAWING NO.		SHEET 1 OF 1

ECN NO.	REV.	DATE.	DESCRIPTION.	CHANGE.	CHECK.	APPRO.
	A		NEW			