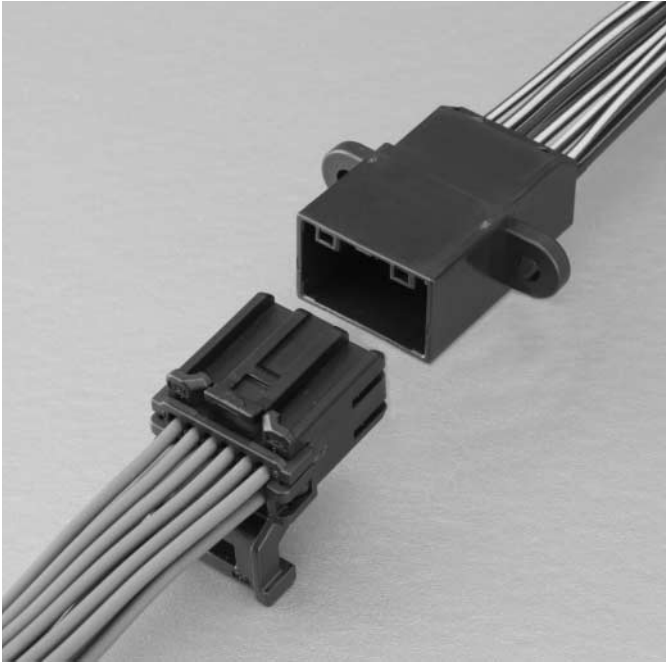


# ARV CONNECTOR

## Wire-to-wire



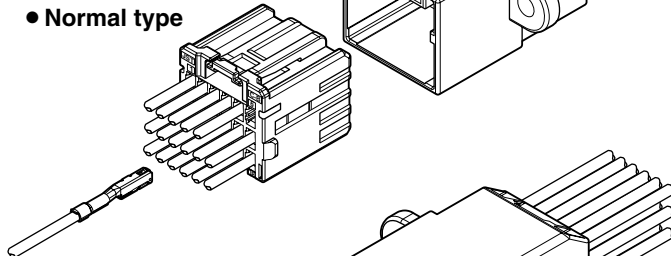
0.64 Unsealed wire-to-wire connection system for unsealed applications, requiring Automotive durability.

### Features

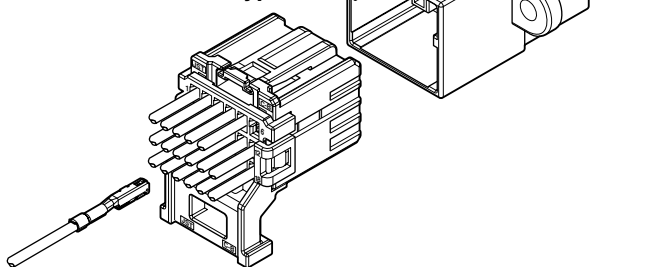
- 12 Circuits, 18 Circuits and 22 Circuits Wire-to-Wire Connection
- Optional Wire Routing Attachment (to optimize packaging space)
- Versatile Mounting Options
- Latch Overstress Feature
- Both Female and Male Connectors utilize Independent Secondary Lock for Terminal retention

### Screw hole type

- Normal type

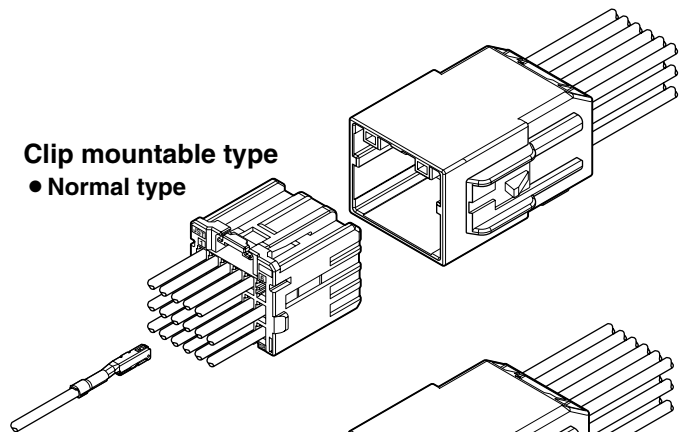


- With back cover type

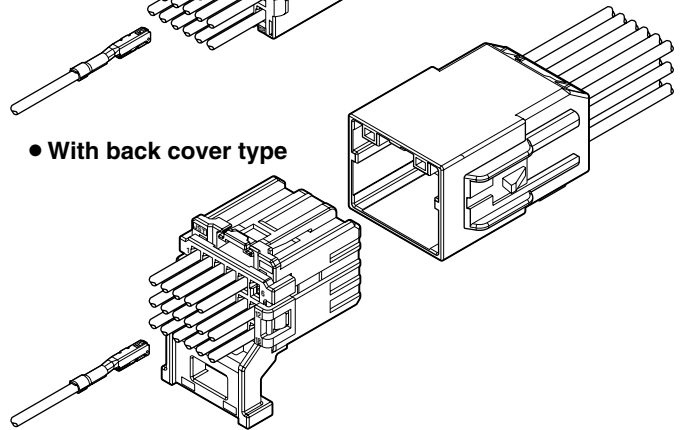


### Clip mountable type

- Normal type



- With back cover type



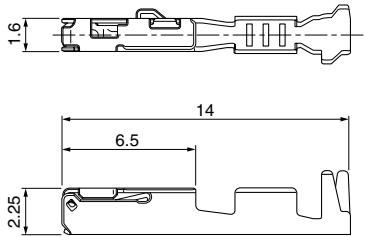
### Specifications

- Current rating: 5 A DC max.
- Voltage rating: 14 V DC
- Temperature range: -40°C to +125°C  
(including temperature rise in applying electrical current)
- Contact resistance: Initial value/ 15 mΩ max.  
After environmental tests/ 15 mΩ max.
- Insulation resistance: 100 MΩ min.
- Applicable Wire: TXL/ ISO 0.35 mm<sup>2</sup> to 0.75 mm<sup>2</sup>  
O.D. ≤ 1.9 mm (AWG #22 to #18)  
(Female Terminal)  
ISO 0.35 mm<sup>2</sup> to 0.5 mm<sup>2</sup>  
O.D. ≤ 1.7 mm (AWG #22 to #20)  
(Male Terminal)

\* Compliant with ELV/RoHS.

\* Contact JST for details.

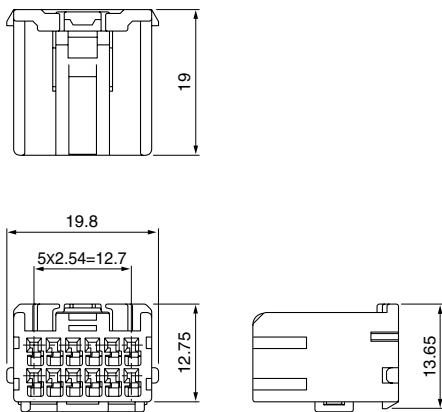
## Female terminal



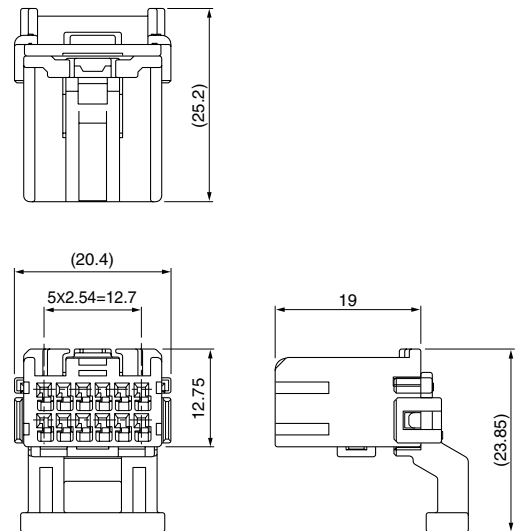
Model No.	Applicable wire range		Q'ty/reel
	Conductor (mm <sup>2</sup> )	Insulation O.D. (mm)	
<b>SAIT-A03T-M064</b>	0.35 to 0.5	≤1.9	6,500
<b>SAIT-A02T-M064</b>	0.75	≤1.9	6,500
<b>Material and Finish</b>			
Copper alloy, tin-plated (reflow treatment)			

## Female connector

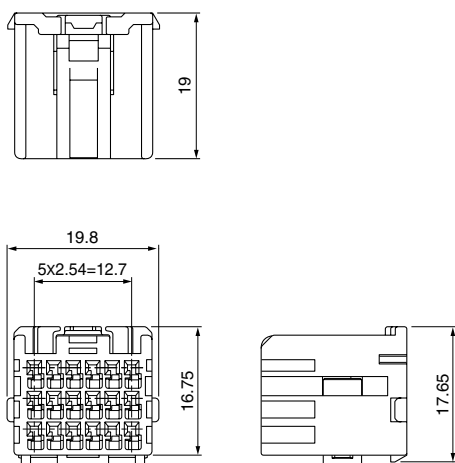
### • 12 circuits



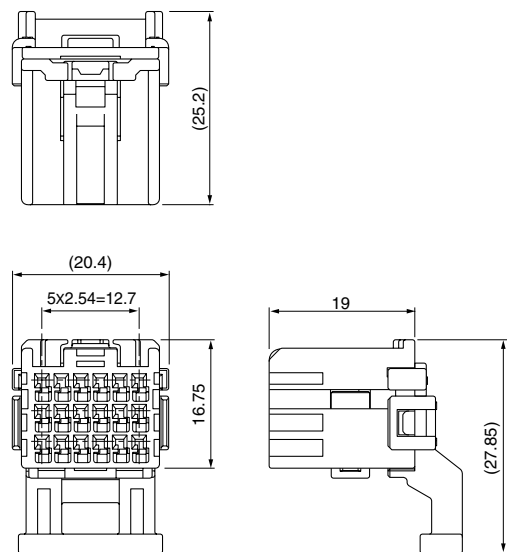
### • 12 circuits (With back cover)



### • 18 circuits



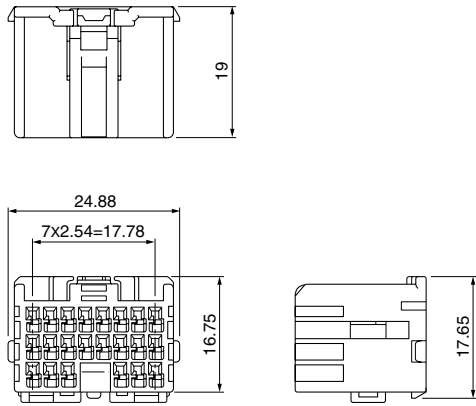
### • 18 circuits (With back cover)



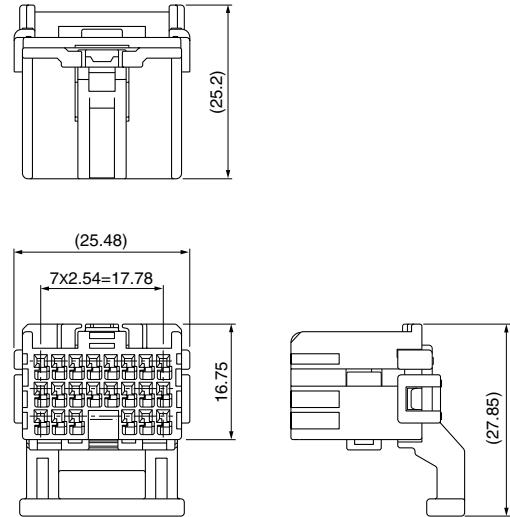
# ARV CONNECTOR

## Female connector

### • 22 circuits



### • 22 circuits (With back cover)

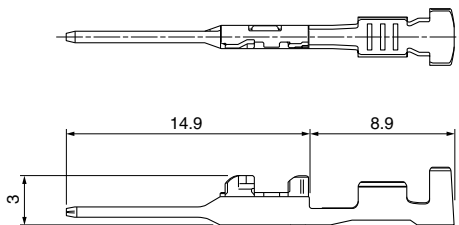


Circuits	Model No.	Back Cover	Q'ty/box
12	ARVPB-12-2AK	No	1,500
	ARVPB-12C12-2AK	Yes	1,500
18	ARVPB-18-3AK	No	1,000
	ARVPB-18C18-3AK	Yes	1,000
22	ARVPB-22-3AK	No	600
	ARVPB-22C22-3AK	Yes	500

#### Material and Finish

Housing: PBT, Black  
 TPA: Glass-filled PBT, Natural (White)  
 Back cover: Glass-filled PBT, Black

## Male terminal



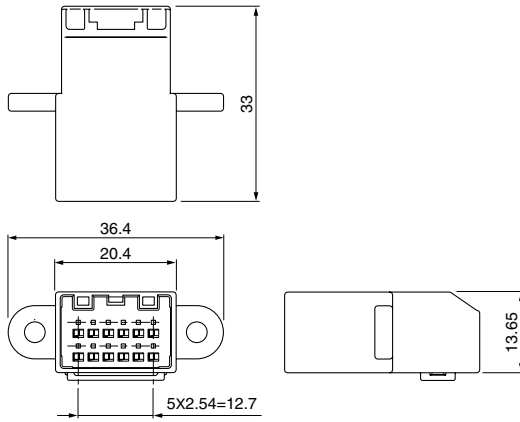
Model No.	Applicable wire range		Q'ty/reel
	Conductor (mm <sup>2</sup> )	Insulation O.D. (mm)	
SNAC3W-A021T-0.64	0.35 to 0.5	≤1.7	7,000

#### Material and Finish

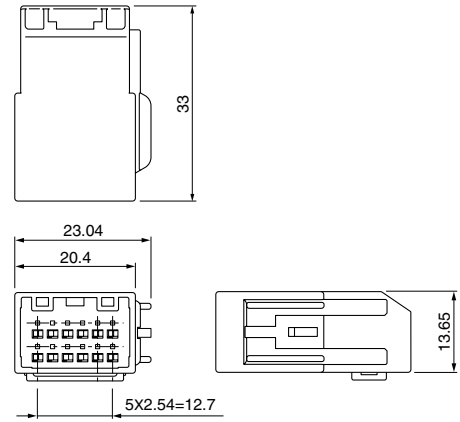
Brass, tin-plated (reflow treatment)

## Male connector

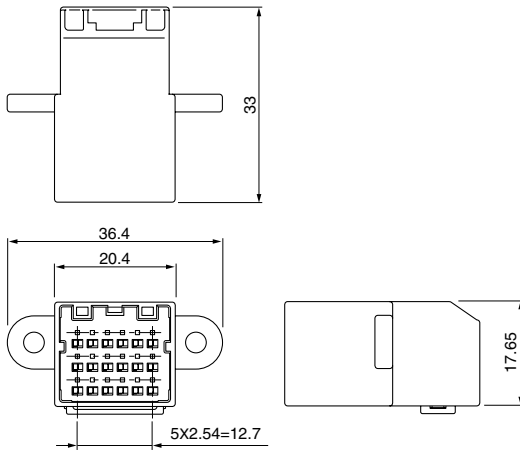
### • 12 circuits (Screw hole Mountable Type)



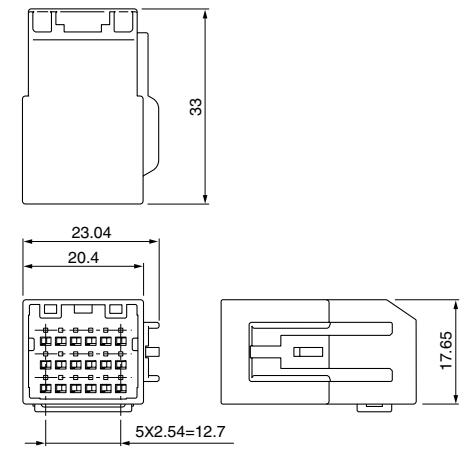
### • 12 circuits (Clip Mountable Type)



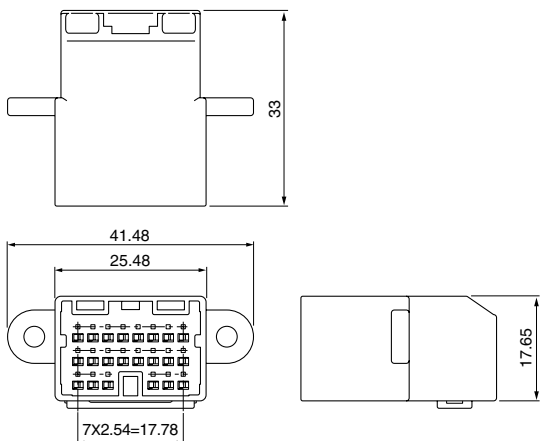
### • 18 circuits (Screw hole Mountable Type)



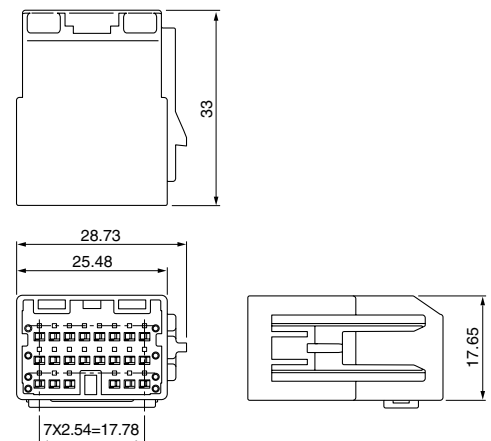
### • 18 circuits (Clip Mountable Type)



### • 22 circuits (Screw hole Mountable Type)



### • 22 circuits (Clip Mountable Type)



Circuits	Model No.	Mountable Style	Q'ty/box
12	ARVWSB-12B-2AK	Screw hole	1,000
	ARVWSB-12BC-2AK	Clip	1,000
18	ARVWSB-18-3AK	Screw hole	750
	ARVWSB-18C-3AK	Clip	750
22	ARVWSB-22-3AK	Screw hole	450
	ARVWSB-22C-3AK	Clip	450

#### Material and Finish

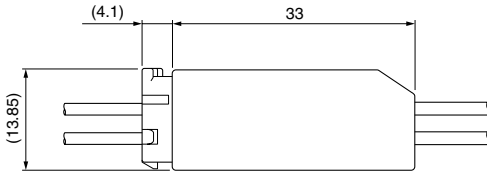
Housing: Glass-filled PBT, Black  
PBT, Black (22P only)

TPA: Glass-filled PBT, Natural (White)

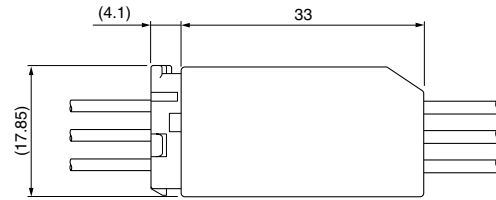
# ARV CONNECTOR

## Assembly layout

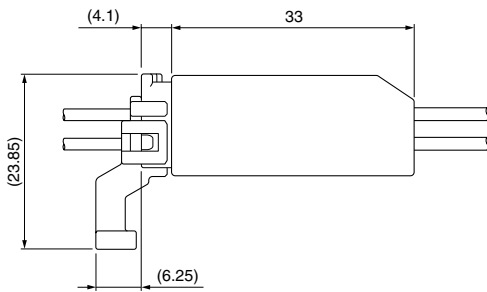
### • 12 circuits



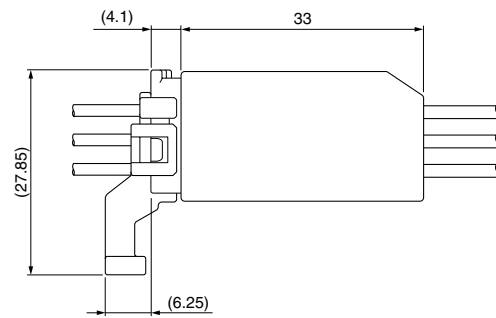
### • 18, 22 circuits



### • 12 circuits (With back cover)



### • 18, 22 circuits (With back cover)



## Crimping machine, Applicator

Strip terminal	Crimping machine	Crimp applicator MKS-L	
		Dies	Crimp applicator with dies
SAIT-A03( )-M064	AP-K2N	MK/SAIT-A03-064	APLMK SAIT-A03-064
SAIT-A02( )-M064		MK/SAIT-A02-064	APLMK SAIT-A02-064
SNAC3W-A021( )-0.64		MK/SNAC3W-A021-064	APLMK SNAC3W-A021-064

Note: When crimping operation is conducted using an applicator and die set other than the above, JST cannot guarantee the performance of the terminal.