

RFID Transponder

IPC02-50P

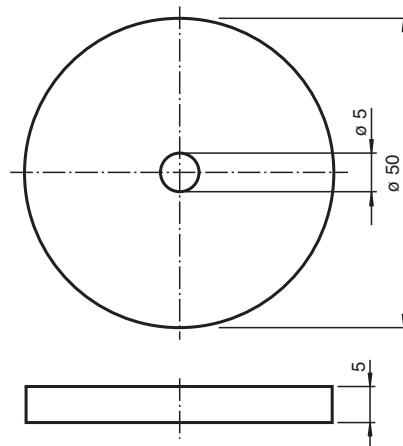


- Battery-free code carrier
- 40 bit fix code
- Readable from both sides
- Mounting holes for simple installation
- Degree of protection IP68

Code carrier



Dimensions



Technical Data

General specifications	
Operating frequency	125 kHz
Transfer rate	2 kBit/s
Memory	
Chip Type	EM4102 Unique (EM Microelectronic)
Read cycles	unlimited
Data retention period	> 10 years
Directive conformity	
Radio equipment	
Directive 2014/53/EU	EN 300330
RoHS	
Directive 2011/65/EU (RoHS)	EN 50581
Standard conformity	
Degree of protection	EN 60529
RFID	ISO/IEC 18000-2
Ambient conditions	

Release date: 2020-03-23 Date of issue: 2020-03-27 Filename: 183298_eng.pdf

Refer to "General Notes Relating to Pepperl+Fuchs Product Information".

Pepperl+Fuchs Group
www.pepperl-fuchs.com

USA: +1 330 486 0001
fa-info@us.pepperl-fuchs.com

Germany: +49 621 776 1111
fa-info@de.pepperl-fuchs.com

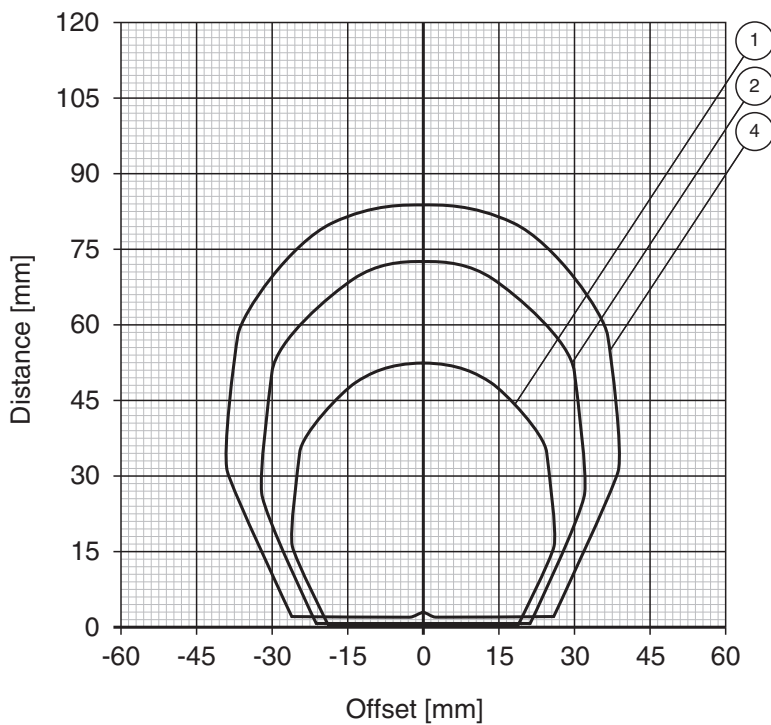
Singapore: +65 6779 9091
fa-info@sg.pepperl-fuchs.com

PEPPERL+FUCHS

Technical Data

Ambient temperature	-20 ... 85 °C (-4 ... 185 °F)
Storage temperature	-20 ... 85 °C (-4 ... 185 °F)
Mechanical specifications	
Degree of protection	IP68
Material	
Housing	PC (Polycarbonate)
Encapsulation compound	Epoxy
Installation	
In air	yes
Construction type	Cylindrical

Reading range in air IPC02-50..



Release date: 2020-03-23 Date of issue: 2020-03-27 Filename: 183298_eng.pdf

Refer to "General Notes Relating to Pepperl+Fuchs Product Information".

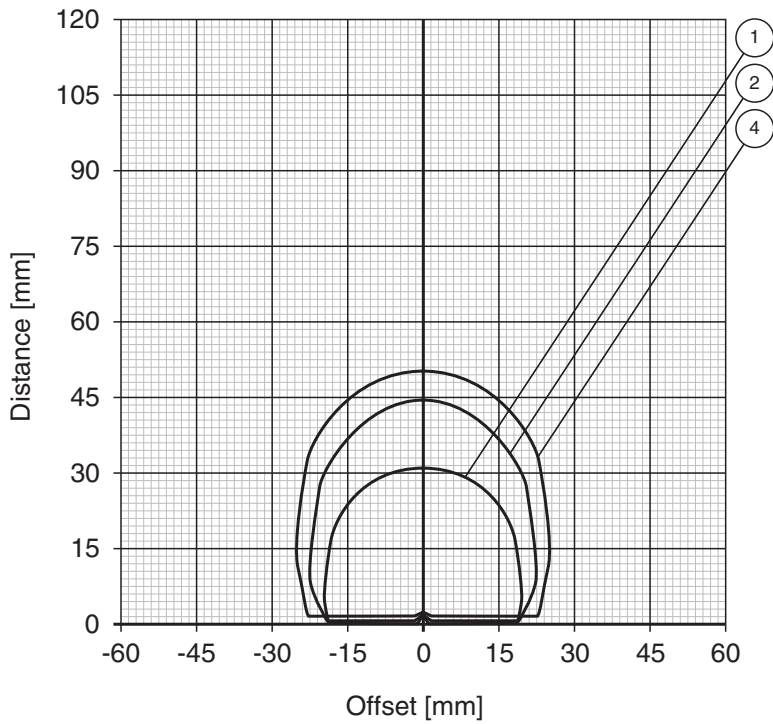
Pepperl+Fuchs Group
www.pepperl-fuchs.com

USA: +1 330 486 0001
fa-info@us.pepperl-fuchs.com

Germany: +49 621 776 1111
fa-info@de.pepperl-fuchs.com

Singapore: +65 6779 9091
fa-info@sg.pepperl-fuchs.com

Reading range on aluminium IPC02-50..



Release date: 2020-03-23 Date of issue: 2020-03-27 Filename: 183298_eng.pdf

Refer to "General Notes Relating to Pepperl+Fuchs Product Information".

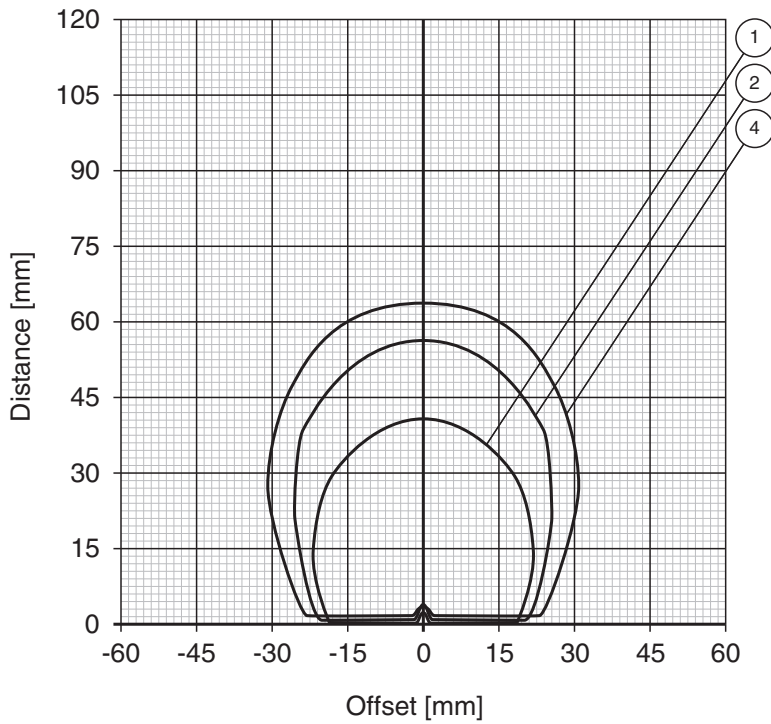
Pepperl+Fuchs Group
www.pepperl-fuchs.com

USA: +1 330 486 0001
fa-info@us.pepperl-fuchs.com

Germany: +49 621 776 1111
fa-info@de.pepperl-fuchs.com

Singapore: +65 6779 9091
fa-info@sg.pepperl-fuchs.com

Reading range on steel IPC02-50..



- | | | | |
|---------------|-------------|--------------|--------------|
| ① IPH-18GM-V1 | ③ IPH-F61 | ⑤ IPH-FP-V1 | ⑦ IPT1-FP-V1 |
| ② IPH-30GM-V1 | ④ IPH-L2-V1 | ⑥ IPH-F15-V1 | |

Release date: 2020-03-23 Date of issue: 2020-03-27 Filename: 183298_eng.pdf

Application

The transponder can be read from either side.

Release date: 2020-03-23 Date of issue: 2020-03-27 Filename: 183298_eng.pdf

Refer to "General Notes Relating to Pepperl+Fuchs Product Information".

Pepperl+Fuchs Group
www.pepperl-fuchs.com

USA: +1 330 486 0001
fa-info@us.pepperl-fuchs.com

Germany: +49 621 776 1111
fa-info@de.pepperl-fuchs.com

Singapore: +65 6779 9091
fa-info@sg.pepperl-fuchs.com

 **PEPPERL+FUCHS**