

Coaxial

Power Splitter/Combiner

ZFSC-2-1-75+

2 Way-0° 75Ω 0.25 to 300 MHz



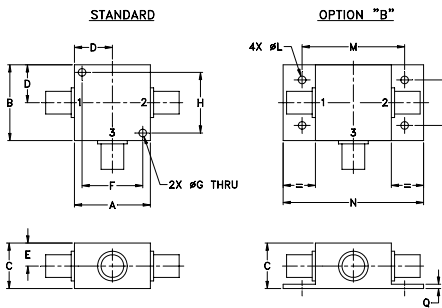
Maximum Ratings

Operating Temperature	-55°C to 100°C
Storage Temperature	-55°C to 100°C
Power Input (as a splitter)	1W max.
Internal Dissipation	0.125W max.

Coaxial Connections

SUM PORT	3
PORT 1	1
PORT 2	2

Outline Drawing



Outline Dimensions (inch/mm)

A	B	C	D	E	F	G	H
1.25	1.25	.75	.63	.38	1.00	.125	1.000
31.75	31.75	19.05	16.00	9.65	25.40	3.18	25.40

J	K	L	M	N	P	Q	wt
--	--	.125	1.688	2.18	.75	.07	grams
--	--	3.18	42.88	55.37	19.05	1.78	70.0

Features

- low insertion loss, 0.4 dB typ.
- high isolation, 30 dB typ.
- excellent amplitude unbalance, 0.1 dB typ.
- excellent phase unbalance, 0.2 deg. typ.
- very good return loss, VSWR, 1.15:1 typ.
- rugged shielded case

Applications

- HF/VHF
- amateur fan radio
- communication systems

CASE STYLE: K18

Connectors	Model
BNC	ZFSC-2-1-75+
BRACKET (OPTION "B")	

+RoHS Compliant

The +Suffix identifies RoHS Compliance. See our web site for RoHS Compliance methodologies and qualifications

Electrical Specifications

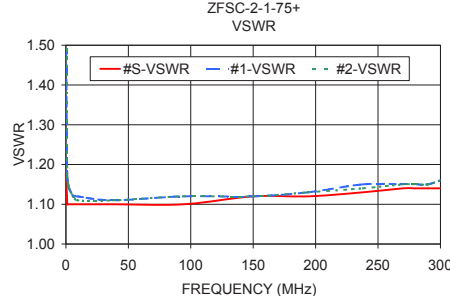
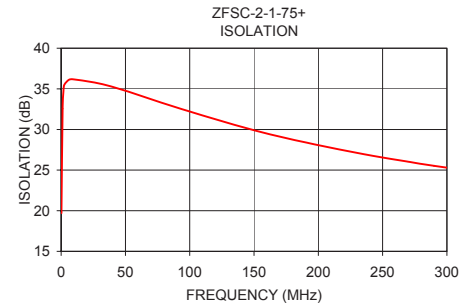
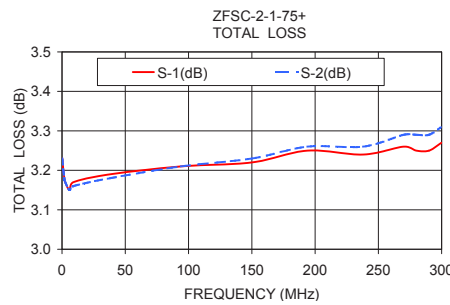
FREQ. RANGE (MHz)	ISOLATION (dB)			INSERTION LOSS (dB) ABOVE 3.0 dB			PHASE UNBALANCE (Degrees)			AMPLITUDE UNBALANCE (dB)		
	L	M	U	L	M	U	L	M	U	L	M	U
f_L - f_U	Typ.	Min.	Typ. Min.	Typ.	Max.	Typ. Max.	Typ.	Max.	Typ.	Max.	Max.	Max.
0.25-300	20	15	30 25 25 20	0.4	0.75	0.4 0.75 0.4 1.0	2	3	5	0.15	0.2	0.3

L = low range [f_L to $10 f_L$] M = mid range [$10 f_L$ to $f_U/2$] U = upper range [$f_U/2$ to f_U]

Typical Performance Data

Frequency (MHz)	Total Loss ¹ (dB)		Amplitude Unbalance (dB)	Isolation (dB)	Phase Unbalance (deg.)	VSWR S	VSWR 1	VSWR 2
	S-1	S-2						
0.25	3.23	3.23	0.00	19.70	0.01	1.18	1.49	1.49
1.10	3.20	3.20	0.00	32.56	0.02	1.10	1.17	1.17
1.80	3.18	3.18	0.00	34.82	0.02	1.10	1.15	1.15
2.50	3.17	3.17	0.01	35.51	0.02	1.10	1.14	1.14
6.00	3.15	3.15	0.00	36.11	0.00	1.10	1.12	1.12
9.00	3.17	3.16	0.01	36.18	0.08	1.10	1.12	1.11
38.00	3.19	3.18	0.01	35.33	0.06	1.10	1.11	1.11
94.00	3.21	3.21	0.01	32.50	0.01	1.10	1.12	1.12
150.00	3.22	3.23	0.01	29.91	0.12	1.12	1.12	1.12
194.00	3.25	3.26	0.01	28.27	0.12	1.12	1.13	1.13
238.00	3.24	3.26	0.02	26.88	0.18	1.13	1.15	1.14
270.00	3.26	3.29	0.02	26.03	0.10	1.14	1.15	1.15
280.00	3.25	3.29	0.03	25.76	0.07	1.14	1.15	1.15
290.00	3.25	3.29	0.04	25.53	0.14	1.14	1.15	1.15
300.00	3.27	3.31	0.04	25.30	0.12	1.14	1.16	1.16

1. Total Loss = Insertion Loss + 3dB splitter loss.



electrical schematic



Notes

- Performance and quality attributes and conditions not expressly stated in this specification document are intended to be excluded and do not form a part of this specification document.
- Electrical specifications and performance data contained in this specification document are based on Mini-Circuit's applicable established test performance criteria and measurement instructions.
- The parts covered by this specification document are subject to Mini-Circuit's standard limited warranty and terms and conditions (collectively, "Standard Terms"); Purchasers of this part are entitled to the rights and benefits contained therein. For a full statement of the Standard Terms and the exclusive rights and remedies thereunder, please visit Mini-Circuit's website at www.minicircuits.com/MCLStore/terms.jsp

