

MITSUBISHI (OPTICAL DEVICES)

FU-318AP-M6/FU-318SAP-M6

InGaAs APD MODULE FOR LONG WAVELENGTH BAND

DESCRIPTION

The FU-318AP-M6/318SAP-M6 series avalanche photodiode(APD) modules are designed for use in fiber testing equipment and high-speed, long haul optical communication systems.

The coaxial package contains an InGaAs APD coupled into either singlemode or multimode fiber pigtail.

FEATURES

- High-responsivity (0.8A/W at 1300nm)
- High-speed response ($f_c=3\text{GHz}$)

APPLICATION

Fiber testing equipment(OTDRs)
Long haul optical communication systems



ABSOLUTE MAXIMUM RATINGS (Tc=25°C)

Parameter	Symbol	Conditions	Rating	Unit
Reverse current (CW)	I _r	-	500	μA
Forward current (CW)	I _f	-	2	mA
Operating case temperature	T _c	-	-40~+85	°C
Storage temperature	T _{stg}	-	-40~+85	°C

MITSUBISHI (OPTICAL DEVICES)

FU-318AP-M6/FU-318SAP-M6

InGaAs APD MODULE FOR LONG WAVELENGTH BAND

ELECTRICAL/OPTICAL CHARACTERISTICS ($T_c = -25^\circ\text{C}$, $\lambda = 1.3\mu\text{m}$ unless otherwise noted)

Parameter	Symbol	Test Conditions	Limits			Unit
			Min.	Typ.	Max.	
Detection range	-	-	1000	-	1600	nm
Responsivity(Note 1)	R	M=1(Note 2)	0.75	0.8	-	A/W
		$\lambda = 1.55\mu\text{m}$, M=1(Note 2)	0.85	0.9	-	
Breakdown voltage	Vbr	I _d =100μA	50	-	100	V
Temp.coefficient of Vbr(note 4)	β	I _d =100μA, T _c =-40~85°C	0.1	0.17	0.25	%/°C
Dark current	I _d	V _r =0.9V _{br} , T _c =25°C	-	-	60	nA
		V _r =0.9V _{br} , T _c =70°C	-	-	700	
		V _r =0.9V _{br} , T _c =85°C	-	-	1000	
Excess noise factor	F	M=10(Note 2)	-	5	-	-
Minimum multiplication	M _{min}	I _{po} =1μA, V _r =V (@I _d =1μA) (Note 3)	30	-	-	-
Cut-off frequency (-3dB)	f _c	M=10, R _i =50Ω(Note 2)	1	3	-	GHz
Capacitance	C _t	M=10, f=1MHz	-	0.6	1	pF

Note 1. Measured by single-mode fiber : SM9.5/125

Note 2. M : Multiplication ratio

Note 3. I_{po} : Photo current with an incident optical power

Note 4. $\beta = \frac{V_{br}(25^\circ\text{C} + \Delta T) - V_{br}(25^\circ\text{C})}{V_{br}(25^\circ\text{C})} \times \Delta T \times 100$ [%/°C]

OPTICAL FIBER SPECIFICATION

Parameter	Limits		Unit
	FU-318AP-M6	FU-318SAP-M6	
Type	GI	SM	-
Core dia.	50±1	-	μm
Mode field dia.	-	9.5±1	μm
N.A.	0.2	-	-
Cladding dia.	125±3	125±2	μm
Jacket dia.	0.9 typ.	0.9 typ.	mm

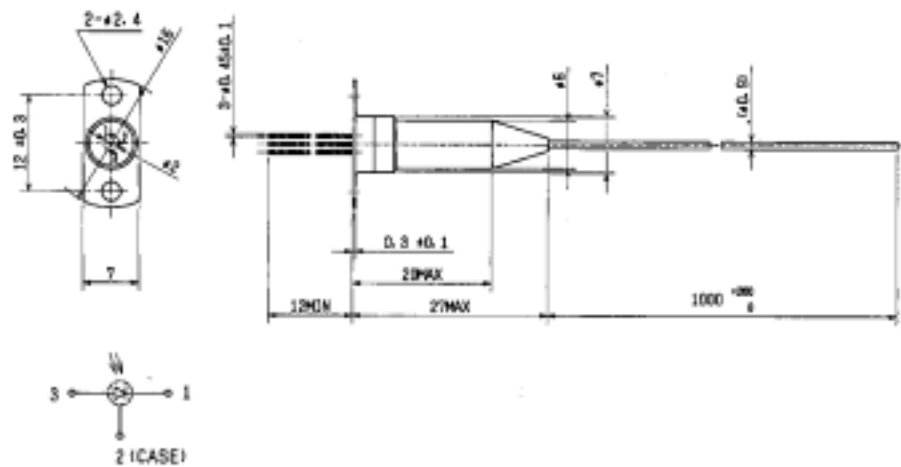
MITSUBISHI (OPTICAL DEVICES)
FU-318AP-M6/FU-318SAP-M6

InGaAs APD MODULE FOR LONG WAVELENGTH BAND

OUTLINE DIAGRAM

(Unit : mm)

NOTE. TOLERANCE UNLESS NOTED ± 0.5



FU-318AP-M6/FU-318SAP-M6