

## INTEGRATED MODULAR JACK

10/100/1000 Gigabit Ethernet RJ45 1xN Tab Up

Options: 1x2, 1x4, 1x6 & 1x8 Port

Meets or exceeds IEEE 802.3 standard for 10/100/1000 Base-TX

Suitable for CAT 5 & 6 Fast Ethernet Cable or better UTP

350 uH minimum OCL with 8mA DC bias current

Available with or without LEDs

Minimum 1500Vrms isolation per IEEE802.3 requirement

Operating temperature 0°C to +70°C

Storage temperature -40°C to +85°C

Patent No.:

Taiwan - M243821, file94221170, file93130703

China - ZL03252694.6

U.S.A. - 6,811,442 B1, 6,986,684 B1

Japan - 3118484, 3118754

Germany - 20 2005 016 971.4, 20 2005 016 972.2



**RoHS Compliant**

*NOTE : Specifications subject to change without notice. Please check our website for latest information.*

12.05.2008



**SUPERWORLD ELECTRONICS (S) PTE LTD**

PG. 1

# INTEGRATED MODULAR JACK

10/100/1000 Gigabit Ethernet RJ45 1xN Tab Up

## TRANSFORMER ELECTRICAL SPECIFICATIONS AT 25°C

Part Number	Turns Ratio	LEDs (L/R)	Insertion Loss (dB max.)		Return Loss 100Ω±15Ω (dB min.)				Cross talk (dB min.)			C.M.R. (dB min.)		Hi - pot
	TD1/2/3/4		1-100 MHz	100-125 MHz	1-30 MHz	30-60 MHz	60-80 MHz	80-100 MHz	1-30 MHz	30-60 MHz	60-100 MHz	1-60 MHz	60-100 MHz	60Hz/1min
G26US-610121A	1CT:1CT	G / Y	-1.0	-1.2	-18	-16	-12	-10	-40	-35	-30	-40	-30	1500
G26US-610122A	1CT:1CT	G / G	-1.0	-1.2	-18	-16	-12	-10	-40	-35	-30	-40	-30	1500
G26US-610123A	1CT:1CT	Y / G	-1.0	-1.2	-18	-16	-12	-10	-40	-35	-30	-40	-30	1500
G26US-610151A	1CT:1CT	G / Y	-1.0	-1.2	-18	-16	-12	-10	-40	-35	-30	-40	-30	1500
G26US-610152A	1CT:1CT	G / G	-1.0	-1.2	-18	-16	-12	-10	-40	-35	-30	-40	-30	1500
G26US-610153A	1CT:1CT	Y / G	-1.0	-1.2	-18	-16	-12	-10	-40	-35	-30	-40	-30	1500
G26US-710121A	1CT:1CT	G / Y	-1.0	-1.2	-18	-16	-12	-10	-40	-35	-30	-40	-30	1500
G26US-710122A	1CT:1CT	G / G	-1.0	-1.2	-18	-16	-12	-10	-40	-35	-30	-40	-30	1500
G26US-710123A	1CT:1CT	Y / G	-1.0	-1.2	-18	-16	-12	-10	-40	-35	-30	-40	-30	1500
G26US-710151A	1CT:1CT	G / Y	-1.0	-1.2	-18	-16	-12	-10	-40	-35	-30	-40	-30	1500
G26US-710152A	1CT:1CT	G / G	-1.0	-1.2	-18	-16	-12	-10	-40	-35	-30	-40	-30	1500
G26US-710153A	1CT:1CT	Y / G	-1.0	-1.2	-18	-16	-12	-10	-40	-35	-30	-40	-30	1500
G26US-810121A	1CT:1CT	G / Y	-1.0	-1.2	-18	-16	-12	-10	-40	-35	-30	-40	-30	1500
G26US-810122A	1CT:1CT	G / G	-1.0	-1.2	-18	-16	-12	-10	-40	-35	-30	-40	-30	1500
G26US-810123A	1CT:1CT	Y / G	-1.0	-1.2	-18	-16	-12	-10	-40	-35	-30	-40	-30	1500
G26US-810151A	1CT:1CT	G / Y	-1.0	-1.2	-18	-16	-12	-10	-40	-35	-30	-40	-30	1500
G26US-810152A	1CT:1CT	G / G	-1.0	-1.2	-18	-16	-12	-10	-40	-35	-30	-40	-30	1500
G26US-810153A	1CT:1CT	Y / G	-1.0	-1.2	-18	-16	-12	-10	-40	-35	-30	-40	-30	1500
G26US-910121A	1CT:1CT	G / Y	-1.0	-1.2	-18	-16	-12	-10	-40	-35	-30	-40	-30	1500
G26US-910122A	1CT:1CT	G / G	-1.0	-1.2	-18	-16	-12	-10	-40	-35	-30	-40	-30	1500
G26US-910123A	1CT:1CT	Y / G	-1.0	-1.2	-18	-16	-12	-10	-40	-35	-30	-40	-30	1500
G26US-910151A	1CT:1CT	G / Y	-1.0	-1.2	-18	-16	-12	-10	-40	-35	-30	-40	-30	1500
G26US-910152A	1CT:1CT	G / G	-1.0	-1.2	-18	-16	-12	-10	-40	-35	-30	-40	-30	1500
G26US-910153A	1CT:1CT	Y / G	-1.0	-1.2	-18	-16	-12	-10	-40	-35	-30	-40	-30	1500

NOTES : 1. LEDs Left / Right G=green, Y=yellow  
2. C.M.R. = Common Mode Rejection



**RoHS Compliant**

NOTE : Specifications subject to change without notice. Please check our website for latest information.

12.05.2008



**SUPERWORLD ELECTRONICS (S) PTE LTD**

PG. 2

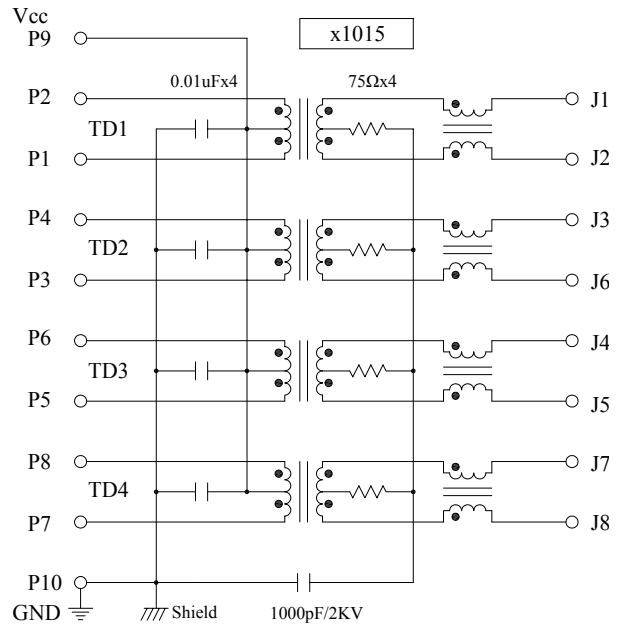
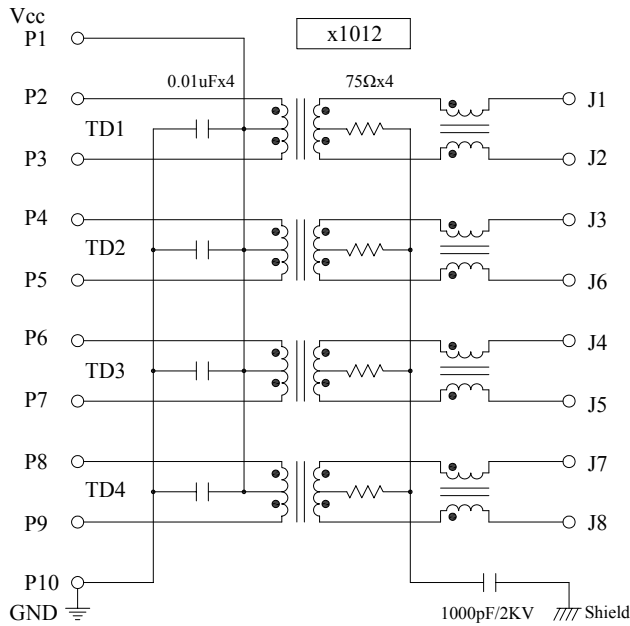
# INTEGRATED MODULAR JACK

10/100/1000 Gigabit Ethernet RJ45 1xN Tab Up

## Material Specification

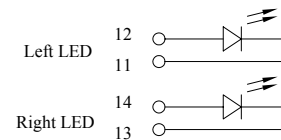
Metal Shell : Copper Alloy, Finish: 50u" Nickel  
 Housing / Bottom Cover : Thermoplastic , UL 94V-0, Color Black  
 Insert : Thermoplastic , UL 94V-0, Color Black  
 Contact Terminal / Phosphor Bronze , Solser Tail / Copper Alloy  
 15u" Gold on Contact Area, 100u" Tin on Solder, Both over 50u" Nickel Under-Plated  
 Coil Base : LCP , UL 94V-0, Color Black

## SCHEMATIC



## LED CONFIGURATION

Standard LED	Wavelength(λ)	V / IF=20mA	
		max.	typ.
Yellow	585nm	2.5 V	2.1 V
Green	570nm	2.5 V	2.1 V



RoHS Compliant

NOTE : Specifications subject to change without notice. Please check our website for latest information.

12.05.2008

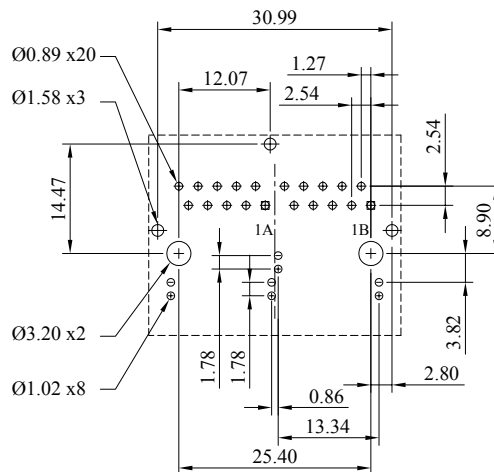
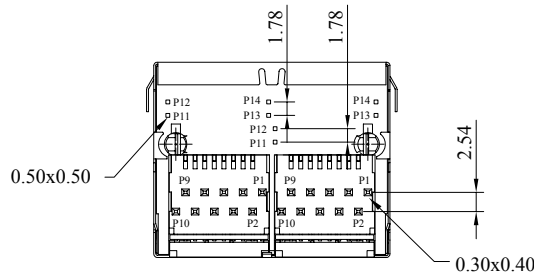
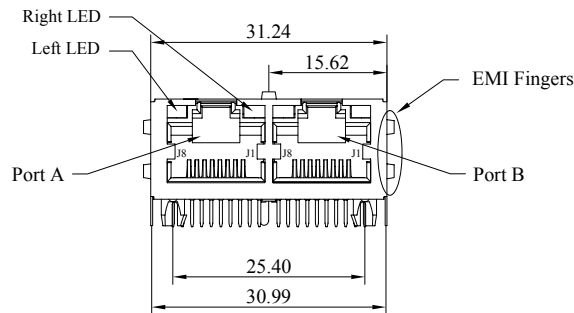
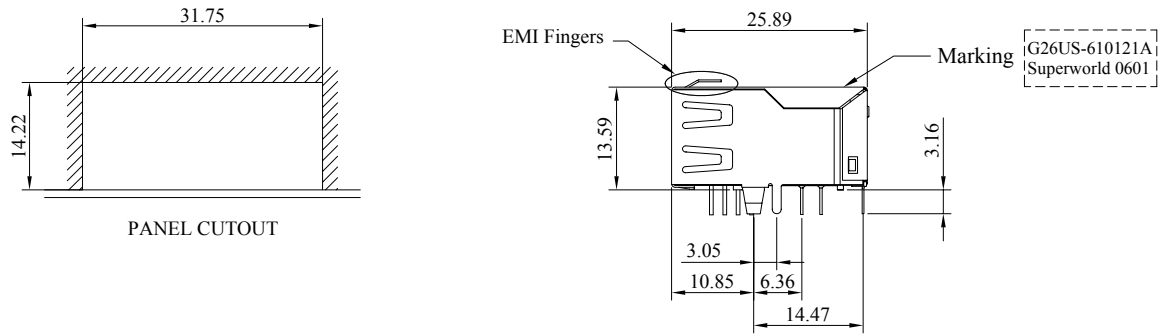


SUPERWORLD ELECTRONICS (S) PTE LTD

# INTEGRATED MODULAR JACK

10/100/1000 Gigabit Ethernet RJ45 1xN Tab Up

MECHANICAL : G26US-610xxxA (1x2)



Suggested PCB Pad Layout  
Component Side View

- NOTES : 1. Tolerance : PCB  $\pm 0.05\text{mm}$   
 Connector  $\pm 0.25\text{mm}$   
 2. Connector dimensions comply with FCC 68.5 dimension requirements



**RoHS Compliant**

NOTE : Specifications subject to change without notice. Please check our website for latest information.



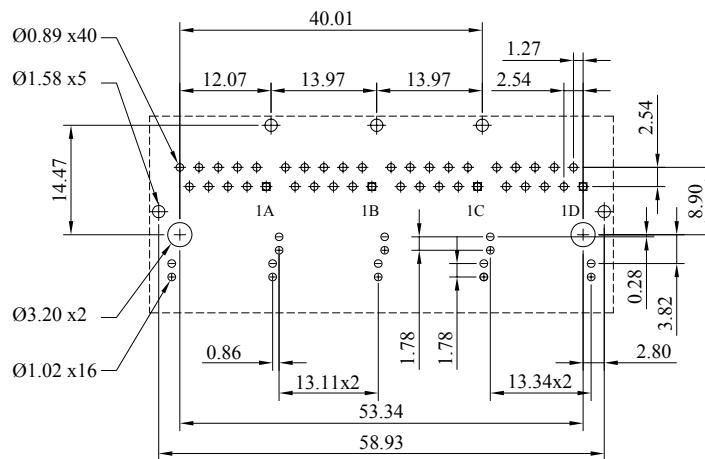
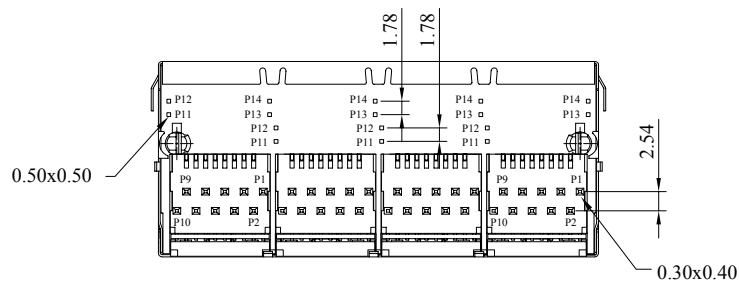
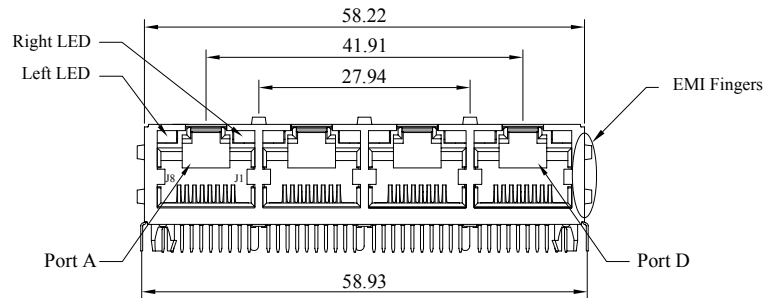
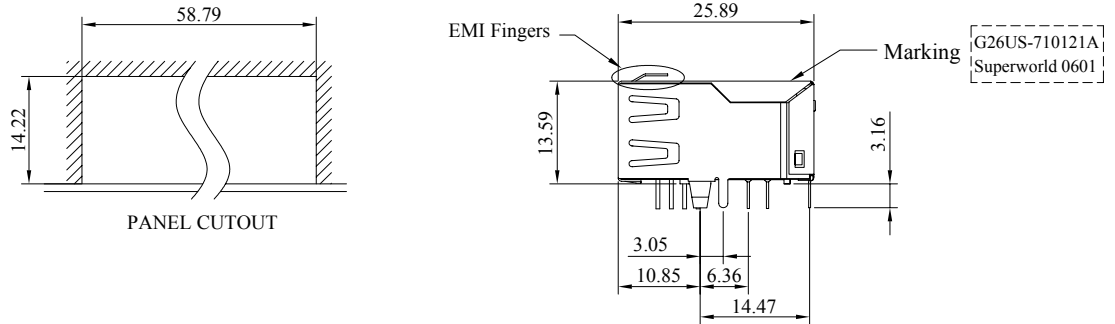
**SUPERWORLD ELECTRONICS (S) PTE LTD**

12.05.2008

# INTEGRATED MODULAR JACK

10/100/1000 Gigabit Ethernet RJ45 1xN Tab Up

MECHANICAL : G26US-710xxxA (1x4)



Suggested PCB Pad Layout  
Component Side View

- NOTES : 1. Tolerance : PCB  $\pm 0.05$ mm  
Connector  $\pm 0.25$ mm  
2. Connector dimensions comply with FCC 68.5 dimension requirements



RoHS Compliant

NOTE : Specifications subject to change without notice. Please check our website for latest information.



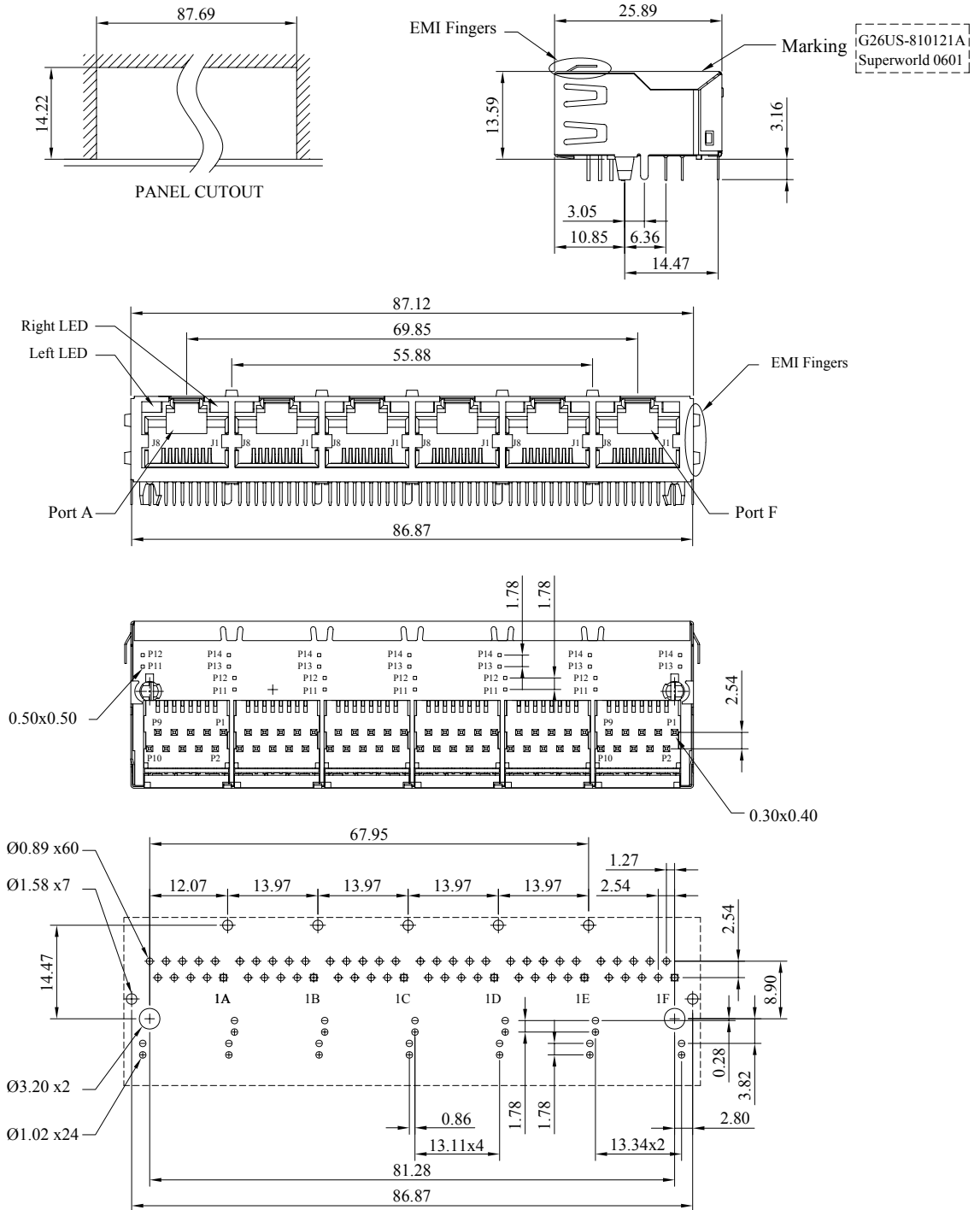
SUPERWORLD ELECTRONICS (S) PTE LTD

12.05.2008

# INTEGRATED MODULAR JACK

10/100/1000 Gigabit Ethernet RJ45 1xN Tab Up

MECHANICAL : G26US-810xxxA (1x6)



Suggested PCB Pad Layout  
Component Side View

- NOTES : 1. Tolerance : PCB  $\pm 0.05\text{mm}$   
Connector  $\pm 0.25\text{mm}$   
2. Connector dimensions comply with FCC 68.5 dimension requirements



RoHS Compliant

NOTE : Specifications subject to change without notice. Please check our website for latest information.

12.05.2008

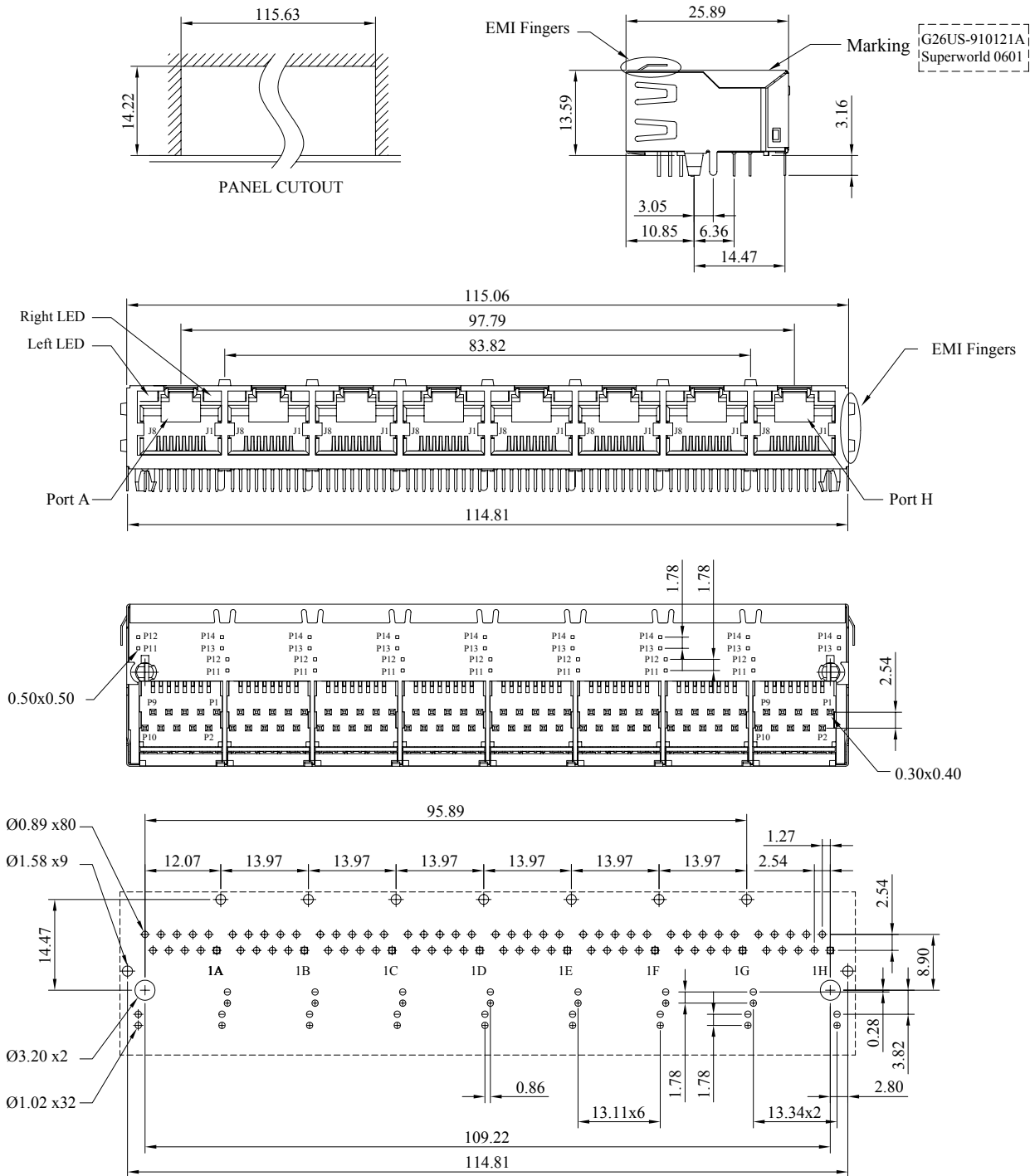


SUPERWORLD ELECTRONICS (S) PTE LTD

# INTEGRATED MODULAR JACK

10/100/1000 Gigabit Ethernet RJ45 1xN Tab Up

MECHANICAL : G26US-910xxxA (1x8)



Suggested PCB Pad Layout  
Component Side View

- NOTES : 1. Tolerance : PCB  $\pm 0.05\text{mm}$   
Connector  $\pm 0.25\text{mm}$   
2. Connector dimensions comply with FCC 68.5 dimension requirements



RoHS Compliant

NOTE : Specifications subject to change without notice. Please check our website for latest information.

12.05.2008



SUPERWORLD ELECTRONICS (S) PTE LTD