

RJ-45

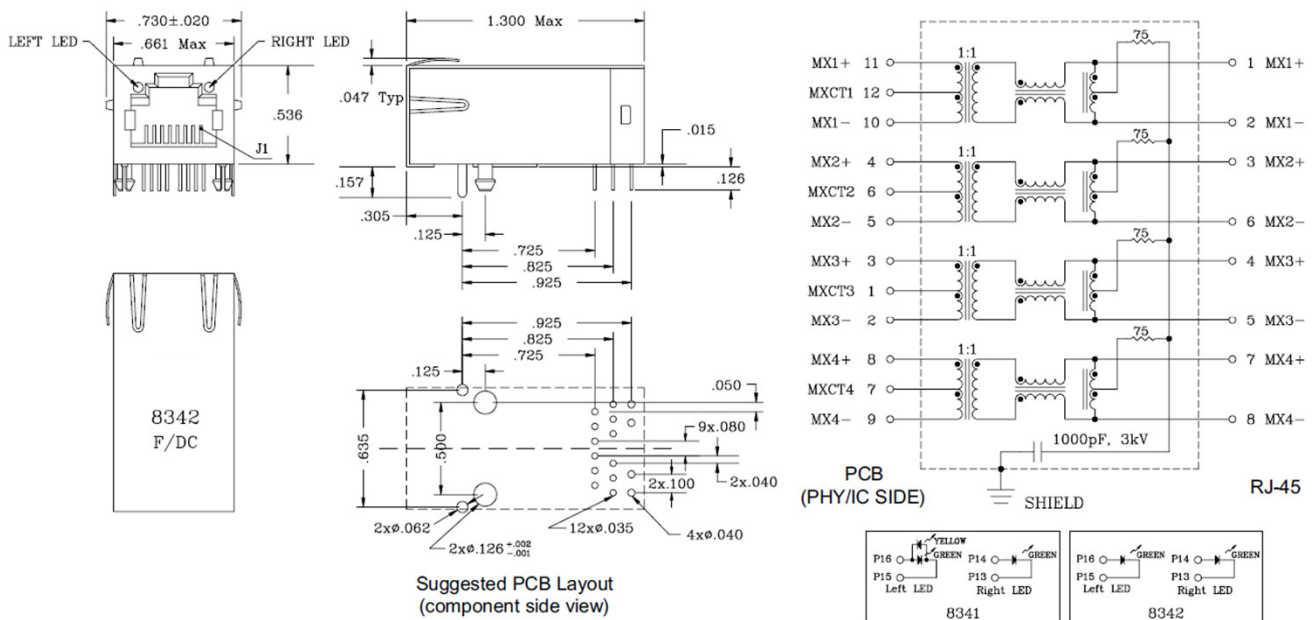
Single Port Connector with LEDs Intergrated Magnetics 1000 Base-T

8341-8344

- Exceeds IEEE 802.3ab standard for 1000 Base-T
- Meets OCL specifications of 350µH Min with 8mADC Bias
- Contact Plating: 6µ-inch gold flashed
- Available with or without LEDs



MECHANICAL AND SCHEMATIC (All dimensions in inches)



UNLESS OTHERWISE SPECIFIED, ALL TOLERANCES ARE ±0.010
PCB LAYOUT DIMENSIONS TO BE ±0.005

SCHEMATIC

ELECTRICAL SPECIFICATION @ 25°C

Part Number	LEDs ¹ L/R	Insertion Loss (dB Typ)	Return Loss (dB Typ) Load 100Ω±15Ω				Crosstalk (dB Typ)			Common Mode Rejection (dB Typ)		Hi-pot (Vrms)
			1-100 MHz	1-10 MHz	30 MHz	60-80 MHz	1-10 MHz	30-60 MHz	60-100 MHz	1-50 MHz	50-130 MHz	
8341	Y-G/G	-1.2	-20	-16	-12	-40	-35	-30	-30	-20	1500	
8342	G/G	-1.2	-20	-16	-12	-40	-35	-30	-30	-20	1500	
8343	NONE	-1.2	-20	-16	-12	-40	-35	-30	-30	-20	1500	
8344	NONE	-1.2	-20	-16	-12	-40	-35	-30	-30	-20	1500	

1. LEDs Left/Right: G = Green, Y = Yellow, Y-G = Yellow-Green