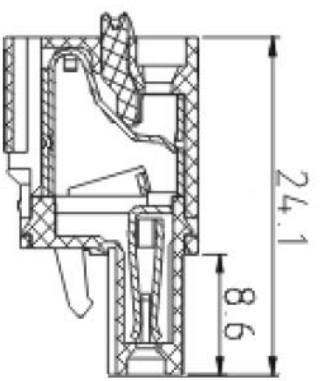
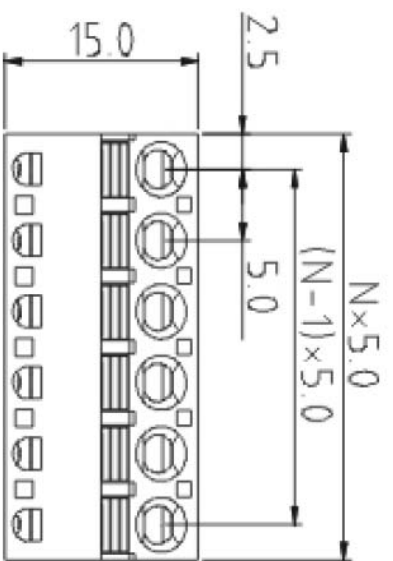
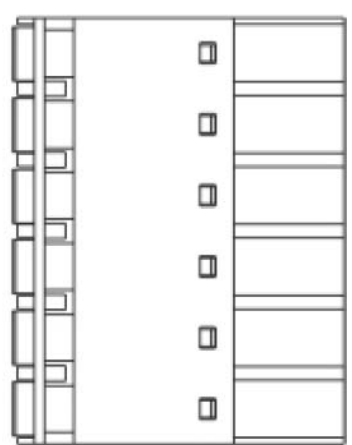


Rev	AWO #	Description	Date	Appr
-	9427	RELEASED	3/20/09	

6 5 4 3 2 1

APPROVED: _____
 DATE: _____ TITLE: _____



SPECIFICATIONS:

Material: Insulator: PA66, rated UL 94V-0
 Insulator color: Green
 Contact: Phosphor Bronze, Tin plated
 Electrical:
 Operation voltage: 300 VAC max
 Current rating: 10 Amps max per Pole
 Contact resistance: 20 mohms max
 Insulation resistance: 500 Mohms min @ DC500V
 Dielectric withstanding voltage: 1600 VAC for 1 minute
 Mechanical:
 Wire Range: 20 to 28 Awg
 Environmental:
 Operating temperature: -30°C to +105°C
 Lead free, RoHS compliant.
 Recommended soldering temp: 235°C for 5 sec.

A

UNLESS OTHERWISE SPECIFIED	
ALL DIMENSIONS ARE MM	
TOLERANCES EXCEPT AS NOTED	
INCHES	HOLES
.X ± .10	ØXX ± .10
.XX ± .020	ØXXX ± .015
.XXX ± .015	ØXXXX ± .010
APPROVALS	DATE
DRAWN	DY
CHECKED	
APPROVED	

ADAM TECH
 909 Railway Avenue, Union, NJ 07083
 Phone: 908-687-5000 Fax: 908-687-5710

TITLE: **TERMINAL BLOCK, SPRING FOR PLUGGABLE, 5.0MM PITCH, CONTACT ON DOWN SIDE**
 SIZE: X
 PART NO.: EB2-XX-M-C-CSD
 REF: S00007T
 SCALE: NTS
 SHEET 1 OF 1

6 5 4 3 2 1

A

B

C

D

