

PLEASE CHECK WWW.MOLEX.COM FOR LATEST PART INFORMATION

Part Number: [5002541931](#)
Status: **Active**
Overview: high definition multimedia interface hdmi
Description: HDMI* Receptacle, Right Angle with Screw Flange, SMT Solder Tails and Through Hole Shell Tabs, Use With M3x0.5 Screw

Documents:

[3D Model](#) [Product Specification PS-501194-001 \(PDF\)](#)
[Drawing \(PDF\)](#) [RoHS Certificate of Compliance \(PDF\)](#)

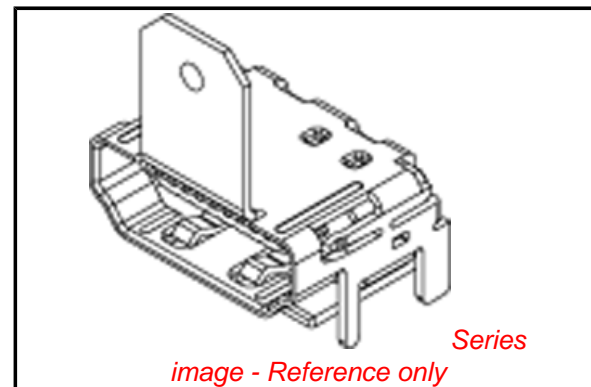
General

Product Family	I/O Connectors
Series	500254
Application	Wire-to-Board
Component Type	Receptacle
Overview	<u>high definition multimedia interface hdmi</u>
Product Name	HDMI
Type	N/A

Physical

Boot Color	N/A
Circuits (Loaded)	19
Circuits (maximum)	19
Color - Resin	Black
Gender	Male
Lock to Mating Part	Yes
Material - Metal	Brass
Material - Plating Mating	Gold
Material - Plating Termination	Tin
Material - Resin	High Temperature Thermoplastic
Number of Rows	2
Orientation	Right Angle
PCB Locator	Yes
PCB Retention	Yes
PCB Thickness Recommended (in)	0.063 In
PCB Thickness Recommended (mm)	1.60 mm
Packaging Type	Tray
Panel Mount	Yes
Pitch - Mating Interface (in)	0.020 In
Pitch - Mating Interface (mm)	0.50 mm
Pitch - Term. Interface (in)	0.020 In
Pitch - Term. Interface (mm)	0.50 mm
Plating min: Mating (µin)	30.4
Plating min: Mating (µm)	0.76
Plating min: Termination (µin)	40
Plating min: Termination (µm)	1
Polarized to Mating Part	Yes
Polarized to PCB	Yes
Ports	1
Surface Mount Compatible (SMC)	Yes
Temperature Range - Operating	-20°C to +85°C
Termination Interface: Style	Surface Mount
Waterproof / Dustproof	No
Wire Size AWG	N/A

Electrical



EU RoHS

**ELV and RoHS
Compliant**
REACH SVHC
 Not Reviewed
**Halogen-Free
Status**

China RoHS



**Need more information on product
environmental compliance?**

Email productcompliance@molex.com
 For a multiple part number RoHS Certificate of Compliance, [click here](#)

Please visit the [Contact Us](#) section for any non-product compliance questions.

Search Parts in this Series

[500254Series](#)

Mates With

[501194 HDMI Cable Assemblies,](#)
[Link:88768](#)

Use With

M3x0.5 Screw

Current - Maximum per Contact	0.5A
Shield Type	Full Shield
Shielded	Yes
Voltage - Maximum	40V AC (RMS)/DC

Material Info

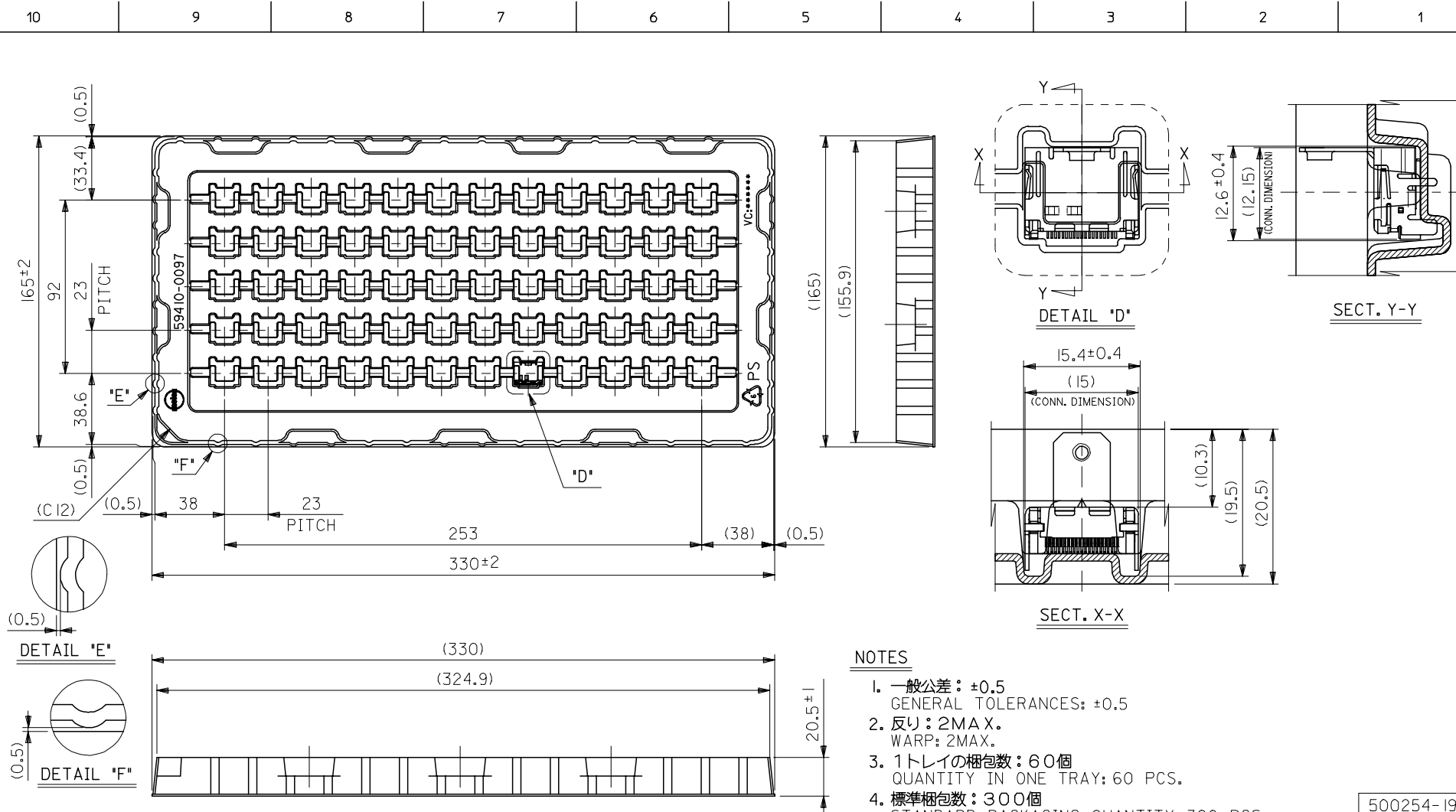
Reference - Drawing Numbers

Packaging Specification	SPK-500254-001
Product Specification	PS-501194-001, RPS-500254-007, RPS-500254-008
Sales Drawing	SD-500254-004, SD-500254-006

* High Definition Multimedia Interface and HDMI are trademarks of HDMI Licensing, LLC.

This document was generated on 06/07/2010

PLEASE CHECK WWW.MOLEX.COM FOR LATEST PART INFORMATION



NOTES

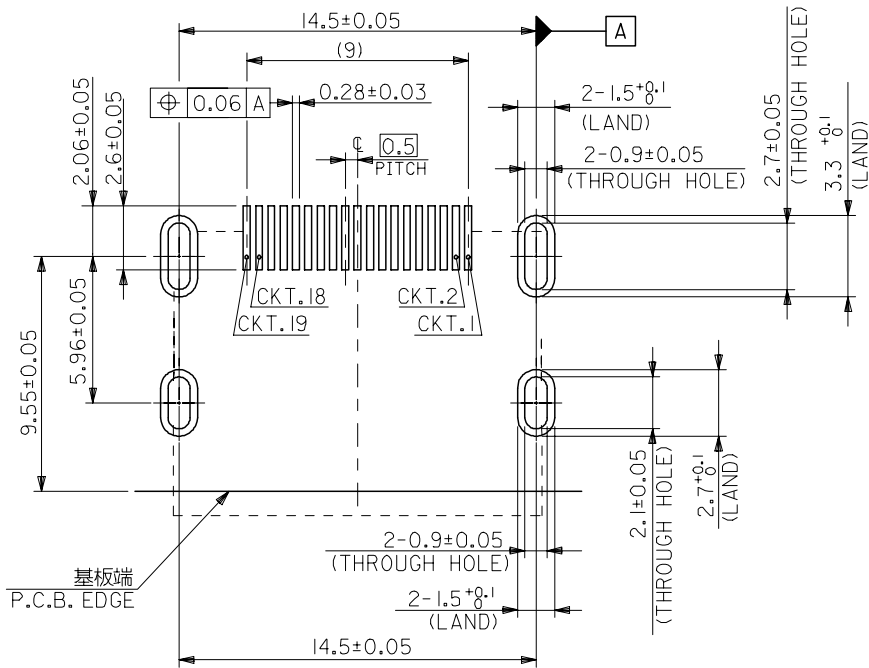
1. 一般公差: ±0.5
GENERAL TOLERANCES: ±0.5
2. 反り: 2MAX.
WARP: 2MAX.
3. 1トレイの梱包数: 60個
QUANTITY IN ONE TRAY: 60 PCS.
4. 標準梱包数: 300個
STANDARD PACKAGING QUANTITY: 300 PCS.
5. トレイは、180° 反転させ交互に重ねる。
TRAYS SHOULD BE PILED ALTERNATELY.

500254-1941
500254-1931
適用製品番号 APPLICABLE PART No.

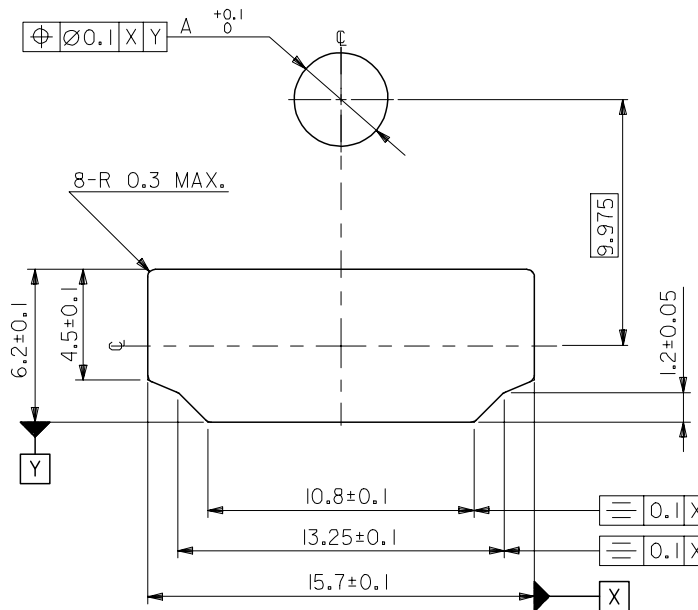
MATERIAL

POLYSTYRENE SHEET (t=1.0)
WHITE

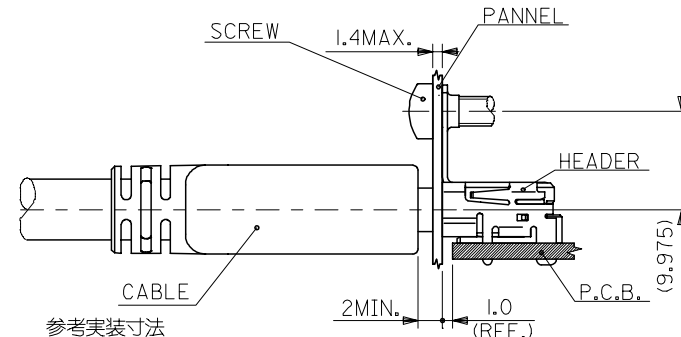
REVISED ECNO: J2005-1358 DRAWN: KTOYODA 2004/11/30 CHKD: NUKITA 2004/11/30 APPR: NUKITA 2004/12/06	GENERAL TOLERANCES (UNLESS SPECIFIED)		DIMENSION STYLE MM ONLY		SCALE 2:1	DESIGN UNITS METRIC	THIRD ANGLE PROJECTION
	10 UNDER	± ---	DRAWN BY T. HARUYAMA	DATE '04/02/25	TITLE TRAY FOR HDMI CONN. R/A WITH FLANGE -LEAD FREE-		
	10 OVER 30 UNDER	± ---	CHECKED BY M. ENOMOTO	DATE '04/02/25	MOLEX INCORPORATED		
	30 OVER	± ---	APPROVED BY M. ENOMOTO	DATE '04/02/25	MATERIAL NO. 59410-0097	DOCUMENT NO. SD-500254-004	SHEET NO. 1 OF 1
ANGULAR ± --- °		DRAFT WHERE APPLICABLE MUST REMAIN WITHIN DIMENSIONS		THIS DRAWING CONTAINS INFORMATION THAT IS PROPRIETARY TO MOLEX INCORPORATED AND SHOULD NOT BE USED WITHOUT WRITTEN PERMISSION			



推奨基板寸法
RECOMMENDED P.C.B. PATTERN LAYOUT (+/-1.6±0.15)
(COMPONENT SIDE)



参考パネル寸法
REFERENCE PANEL CUT OUT DIMENSION.



参考実装寸法
REFERENCE MOUNT DIMENSION.
(SCALE 2:1)

3.45	500254-1941
3.6	500254-1931
"A"	TRAY PACKAGE

REVISED EC NO: J2006-0032 DRWN: NABEI 2005/07/05 CHKD: KTOYODA 2005/07/06 APPR: NUKITA 2005/07/12	GENERAL TOLERANCES (UNLESS SPECIFIED)		DIMENSION STYLE MM ONLY		SCALE 5:1	DESIGN UNIT'S METRIC	THIRD ANGLE PROJECTION	
	10 UNDER	±0.2	DRAWN BY K. TOYODA	DATE '04/03/26	TITLE HDMI RIGHT ANGLE HEADER ASSY WITH FLANGE -LEAD FREE-			
	10 OVER 30 UNDER	±0.25	CHECKED BY K. ASAKAWA	DATE '04/03/26				
	30 OVER	±0.3	APPROVED BY S. ICHIKAWA	DATE '04/03/26				
ANGULAR	±3 °	MATERIAL NO. SEE CHART		DOCUMENT NO. SD-500254-006		SHEET NO. 2 OF 2		
DRAFT WHERE APPLICABLE MUST REMAIN WITHIN DIMENSIONS		SIZE A3		THIS DRAWING CONTAINS INFORMATION THAT IS PROPRIETARY TO MOLEX INCORPORATED AND SHOULD NOT BE USED WITHOUT WRITTEN PERMISSION				