

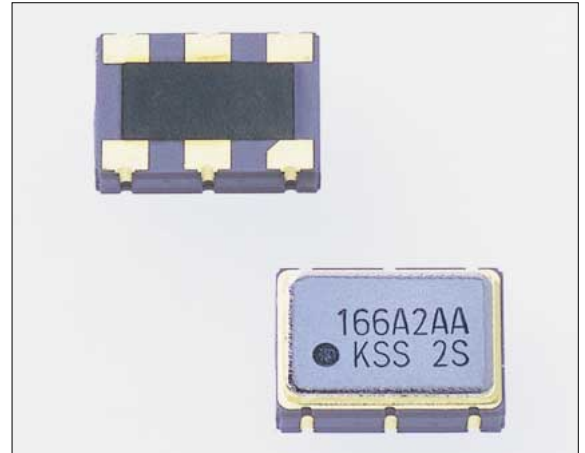
# FSO-2D

## Features

- C-MOS Output 3.3V.
- Operation at fundamental High Frequency.

## Applications

- SONET/SDH.
- 1 Gbit Ethernet, 10Gbit Ethernet.
- Fiber Channel.



Original Size

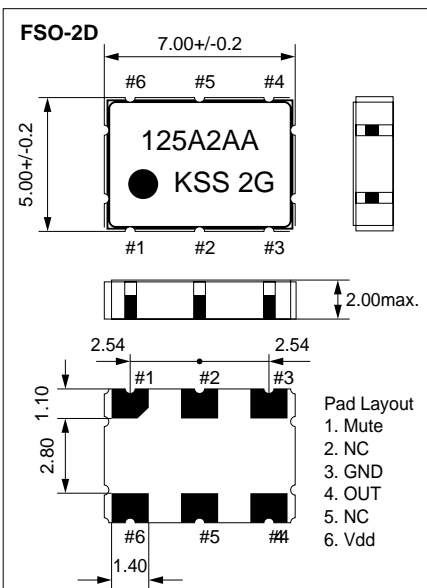
## Specifications

Type	FSO-2D
Frequency Range	100~170MHz
Standard Frequency	Table 1
Frequency Stability	$\pm 100 \times 10^{-6}$ (All over)
Operation Temperature Range	$\pm 0 \sim +70^\circ\text{C}$
Storage Temperature Range	$-40 \sim +85^\circ\text{C}$
Supply Voltage	3.3V $\pm 5\%$
Current	60mA max.
Load	15pF
Output Level	Voh: Vdd $\times 0.9$ min./Vol: Vdd $\times 0.1$ max.
Symmetry	50% $\pm 10\%$
Raise Time/Fall Time	2ns max. (20%,80%)
Start-up Time	10ms max.
Weight	0.2g

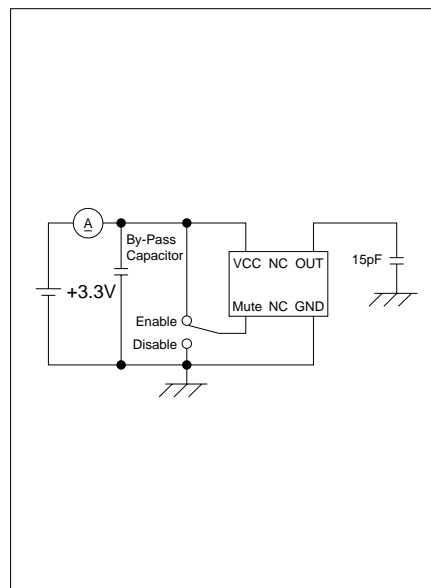
## Table 1 Original Frequencies

Table 1
Standard Frequency (MHz)
100
106.25
125
133
155.52
156.25
161.1328
166
166.6285
167

## Outline



## Typical External Component Connection



## Land Pattern (reference)

