

PLEASE CHECK WWW.MOLEX.COM FOR LATEST PART INFORMATION

Part Number: [0545606401](#)
Status: **Active**
Overview: [qf50](#)
Description: 2.54mm (0.100") Pitch QF-50™ Flat Ribbon Cable Receptacle Upper Housing, 64 Circuits

Documents:

[Drawing \(PDF\)](#) [Product Specification PS-54559-005 \(PDF\)](#)
[Product Specification PS-54559-004 \(PDF\)](#) [RoHS Certificate of Compliance \(PDF\)](#)

General

Product Family	Accessories
Series	54560
Application Tooling Part Link	572525000
Application Tooling Part Link	572527000
Component Type	Housing
Overview	qf50
Product Name	QF-50™

Physical

Circuits (Loaded)	64
Color - Resin	Black
Material - Resin	Polyester
Number of Rows	2
Packaging Type	Tray
Temperature Range - Operating	-40°C to +85°C

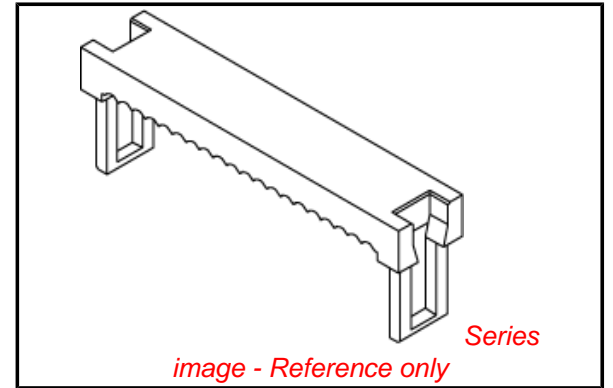
Electrical

Current - Maximum per Contact	1A
-------------------------------	----

Material Info

Reference - Drawing Numbers

Product Specification	PS-54559-004, PS-54559-005, RPS-54559-008, RPS-54559-010, RPS-54559-012, RPS-54559-014, RPS-54559-015, RPS-54559-016, RPS-54559-017
Sales Drawing	SD-54560-002, SD-54561-002



EU RoHS

ELV and RoHS Compliant
REACH SVHC Contains SVHC: No
Halogen-Free Status

China RoHS



Not Reviewed

Need more information on product environmental compliance?

Email productcompliance@molex.com
 For a multiple part number RoHS Certificate of Compliance, [click here](#)

Please visit the [Contact Us](#) section for any non-product compliance questions.

Search Parts in this Series

[54560Series](#)

Use With

[54561](#) Strain Relief, [54559](#) Receptacle Housing

Application Tooling | FAQ

Tooling specifications and manuals are found by selecting the products below. Crimp Height Specifications are then contained in the Application Tooling Specification document.

Japan

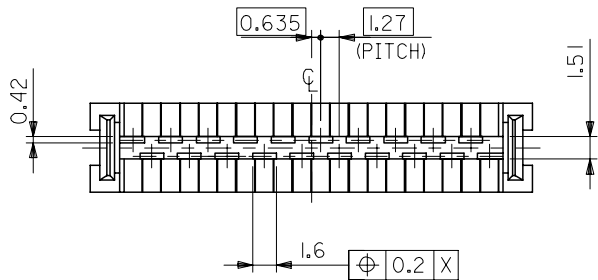
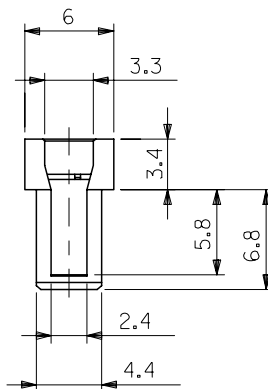
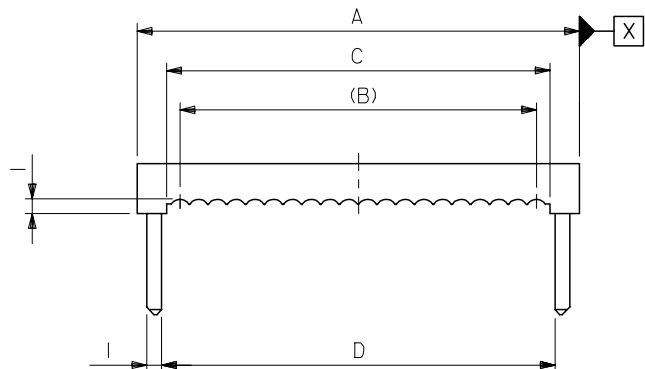
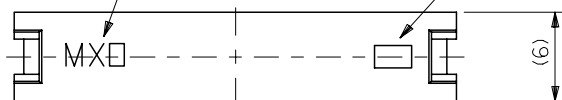
Description	Product #
IDT Hand Tool Assembly For MIL Connector	0572525000
IDT Machine For MIL IDT Connector	0572527000

PLEASE CHECK WWW.MOLEX.COM FOR LATEST PART INFORMATION

10 9 8 7 6 5 4 3 2 1

△トレードマーク
TRADE MARK

△キャビティ番号、金型番号
CAVITY NO. & MOLD NO.



注記
NOTES

- 1. 適合ハウジングアッセンブリ : 54559-***I, 54559-***4I
APPLICABLE UPPER HSG ASS'Y : 54559-***I, 54559-***4I
適合ストレーンリリーフ : 54561-****
APPLICABLE STRAIN RELIEF : 54561-***0I

△トレードマーク : MX プラス 製造工場を示すアルファベットにて構成
但し、"J" は JAPAN を示す。(例 : MX J)
キャビティ番号 : 数字で表示。
金型番号 : アルファベットにて構成。

FORMED BY MX AND ALPHABET WHICH MEAN
THE MANUFACTORY, BUT "J" MEANS JAPAN. (TO TRADE MARK)
(e.g. MXJ)
AND BY NUMBERS (TO CAVITY NO.)
AND BY ALPHABET (TO MOLD NO.)

82.51	81.48	80.01	85.85	54560-640I	64
77.43	76.4	74.93	80.77	54560-600I	60
64.73	63.7	62.23	68.07	54560-500I	50
52.03	51	49.53	55.37	54560-400I	40
44.41	43.38	41.91	47.75	54560-340I	34
39.33	38.3	36.83	42.67	54560-300I	30
34.25	33.22	31.75	37.59	54560-260I	26
26.63	25.6	24.13	29.97	54560-200I	20
21.55	20.52	19.05	24.89	54560-160I	16
19.01	17.98	16.51	22.35	54560-140I	14
13.93	12.9	11.43	17.27	54560-100I	10
D	C	B	A	MATERIAL NO.	CKT.

MATERIAL

PBT, UL94V-0 (黒色)
(COLOR : BLACK)

REVISED
EC NO: J2007-2853
DRWN: MABEI 2007/04/13
CHKD: YMAEDA 2007/04/13
APPR: NUKITA 2007/04/13

GENERAL TOLERANCES (UNLESS SPECIFIED)	
10 UNDER	±0.2
10 OVER 30 UNDER	±0.25
30 OVER	±0.3
ANGULAR	±3 °
DRAFT WHERE APPLICABLE MUST REMAIN WITHIN DIMENSIONS	

DIMENSION STYLE MM ONLY	
DRAWN BY	DATE
S. MATSUZAKI	'99/03/04
CHECKED BY	DATE
S. KUNISHI	'03/08/06
APPROVED BY	DATE
T. YAMAGUCHI	'03/08/06
MATERIAL NO.	
SEE CHART	
SIZE	A3

SCALE	3:1
DESIGN UNITS	METRIC
THIRD ANGLE PROJECTION	
TITLE	
2.54 FLAT CABLE CONN UPPER HSG	
MOLEX INCORPORATED	
DOCUMENT NO.	SD-54560-002
SHEET NO.	1 OF 1

THIS DRAWING CONTAINS INFORMATION THAT IS PROPRIETARY TO MOLEX INCORPORATED AND SHOULD NOT BE USED WITHOUT WRITTEN PERMISSION

10 9 8 7 6 5 4 3 2 1

F

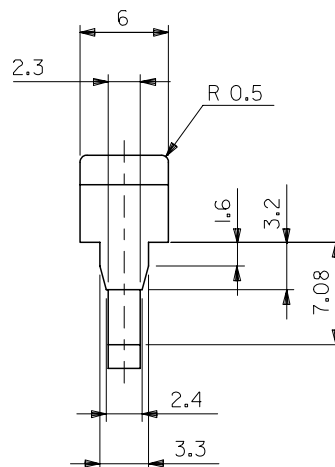
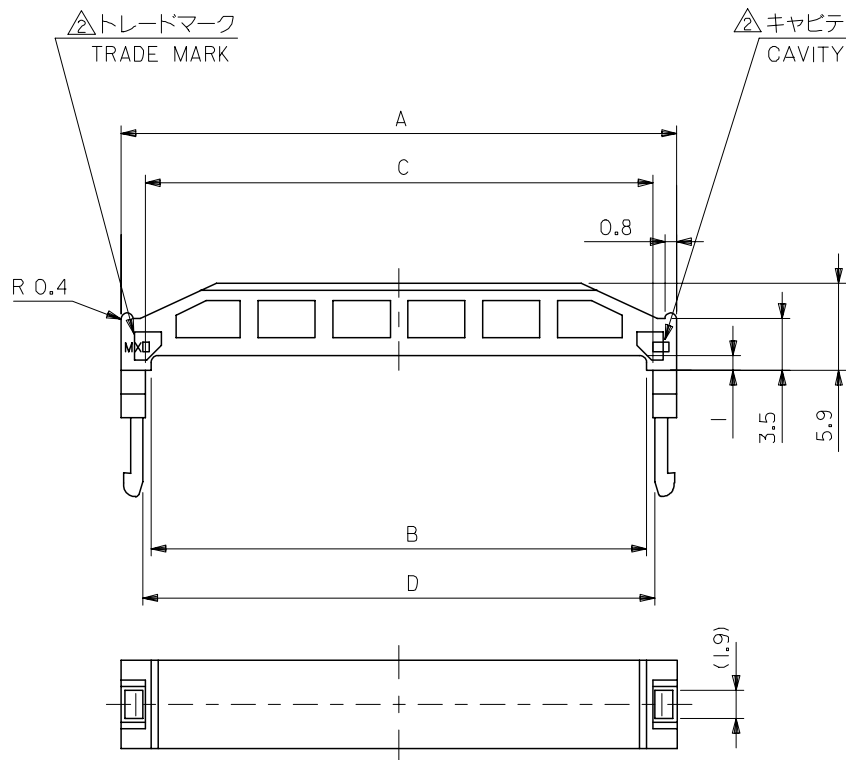
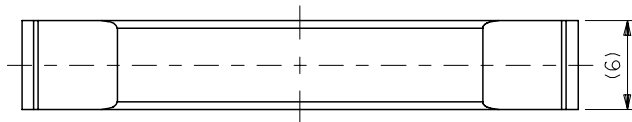
E

D

C

B

A



注記
NOTES

- I. 適合ハウジングアッセンブリ : 54559-**1I, 54559-***4I
 APPLICABLE UPPER HSG ASS'Y : 54559-**1I, 54559-***4I
 適合アッパーハウジング : 54560-**0I
 APPLICABLE STRAIN RELIEF : 54560-**0I

△ トレードマーク : MX プラス 製造工場を示すアルファベットにて構成
 但し、* J * は JAPAN を示す。(例 MX J)
 キャビティ番号 : 数字で表示。
 金型番号 : アルファベットにて構成。

FORMED BY MX AND ALPHABET WHICH MEAN
 THE MANUFACTORY, BUT "J" MEANS JAPAN. (TO TRADE MARK)
 (e.g. MXJ)
 AND BY NUMBERS (TO CAVITY NO.)
 AND BY ALPHABET (TO MOLD NO.)

82.9I	82.6I	81.8I	85.85	5456I-640I	64
77.83	77.53	76.73	80.77	5456I-600I	60
65.13	64.83	64.03	68.07	5456I-500I	50
52.43	52.13	51.33	55.37	5456I-400I	40
44.8I	44.5I	43.7I	47.75	5456I-340I	34
39.73	39.43	38.63	42.67	5456I-300I	30
34.65	34.05	33.55	37.59	5456I-260I	26
27.03	26.73	25.93	29.97	5456I-200I	20
21.95	21.65	20.85	24.89	5456I-160I	16
19.4I	19.1I	18.3I	22.35	5456I-140I	14
14.33	14.03	13.23	17.27	5456I-100I	10
D	C	B	A	MATERIAL NO.	CKT.

材料 MATERIAL	PBT , UL94V-0 (黒色) (COLOR BLACK)
仕上げ FINISH	— # —
適用電線範囲 WIRE RANGE	— # —
被覆外径 INS. RANGE	— # —

REVISED	EC NO: J2007-2853	2007/04/13
DRWN: MABEI	2007/04/13	
CHKD: YMAEDA	2007/04/13	
APPR: NUKITA	2007/04/13	
DESCRIPTION		
REV	J	

GENERAL TOLERANCES
(UNLESS SPECIFIED)

10 UNDER	± 0.2
10 OVER 30 UNDER	± 0.25
30 OVER	± 0.3
ANGULAR	± 3 °

DRAFT WHERE APPLICABLE
MUST REMAIN
WITHIN DIMENSIONS

DIMENSION STYLE
MM ONLY

DRAWN BY	DATE
SMATSUZAKI	'99/03/04
CHECKED BY	DATE
SKUNISHI	'03/08/06
APPROVED BY	DATE
TYAMAGUCHI	'03/08/06

MATERIAL NO.
SEE CHART

SIZE
A3

SCALE
3:1

DESIGN UNITS
METRIC

TITLE
2.54 FLAT CABLE CONN
REC STRAIN RELIEF

MOLEX INCORPORATED

DOCUMENT NO.
SD-54561-002

SHEET NO.
1 OF 1

THIS DRAWING CONTAINS INFORMATION THAT IS PROPRIETARY TO MOLEX
INCORPORATED AND SHOULD NOT BE USED WITHOUT WRITTEN PERMISSION

9

8

7

6

5

4

3

2