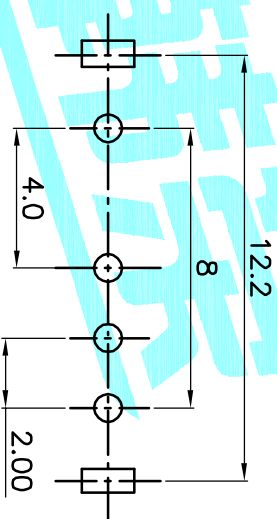
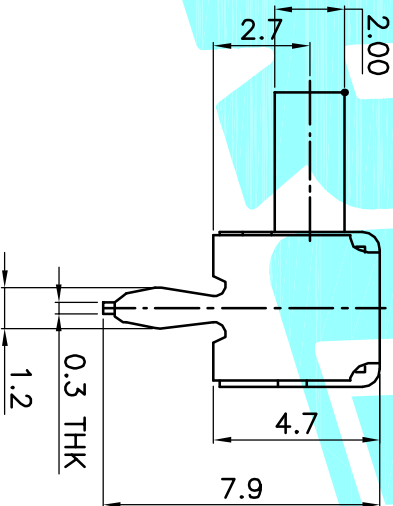
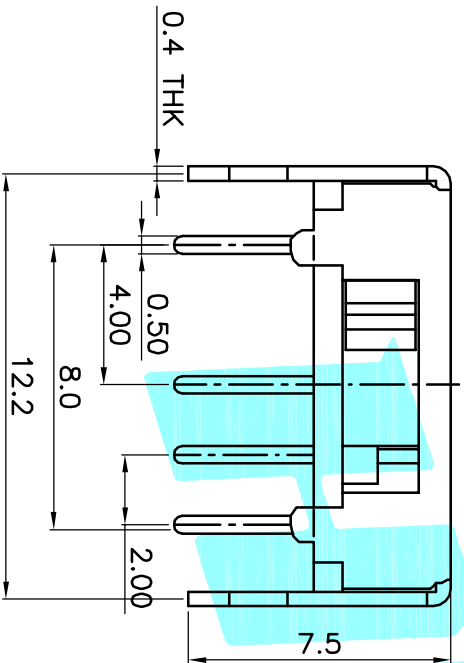


SCHEMATIC (NON-SHORTING)



P.C.B LAYOUT BOTTOM VIEW

APPROVALS		DATE		ELECTRONICS CO.,LTD			
DRAWN		2015.01.04		MICRO SWITCHS			
CHECKED				PART NO. SK-13D01-VG4			
APPROVALS				SCALE: 1:1			
TOLERANCES ARE		±0.30		ANGLE		PROJ.	
		10~30		±0.20		UNIT: mm	
		5~10		±0.15		DRAWING NO.	
		~ 5		±0.10		SHEET 1 OF 1	
ECN NO.	REV.	DATE.	DESCRIPTION.	CHANGE.	CHECK.	APPRO.	
	A		NEW				