

PLEASE CHECK WWW.MOLEX.COM FOR LATEST PART INFORMATION

Part Number: [0905721169](#)
Status: **Active**
Description: 2.54mm (.100") Pitch QF-50™ Header, Right Angle, Dual Row, Shrouded, DIN Keying, with Latch/Eject Levers, 16 Circuits

Documents:

[Drawing \(PDF\)](#) [RoHS Certificate of Compliance \(PDF\)](#)

Agency Certification

| | |
|-----|---------|
| CSA | LR19980 |
| UL | E29179 |

General

| | |
|---------------------|-------------------------------------|
| Product Family | Ribbon Cable / Wire Trap Connectors |
| Series | 90572 |
| Comments | Eject Levers |
| Component Type | PCB Header |
| Glow-Wire Compliant | No |
| Product Name | QF-50™ |

Physical

| | |
|--------------------------------|----------------|
| Circuits (Loaded) | 16 |
| Circuits (maximum) | 16 |
| Color - Resin | Black |
| Durability (mating cycles max) | 50 |
| Entry Angle | 90° Angle |
| Flammability | 94V-0 |
| Lock to Mating Part | None |
| Material - Metal | Brass |
| Material - Plating Mating | Tin |
| Material - Plating Termination | Tin |
| Material - Resin | Polyester |
| Number of Rows | 2 |
| PCB Locator | No |
| PCB Retention | None |
| PCB Thickness Recommended (in) | 0.062 In |
| PCB Thickness Recommended (mm) | 1.60 mm |
| Packaging Type | Tray |
| Pitch - Mating Interface (in) | 0.100 In |
| Pitch - Mating Interface (mm) | 2.54 mm |
| Pitch - Term. Interface (in) | 0.100 In |
| Pitch - Term. Interface (mm) | 2.54 mm |
| Plating min: Termination (µin) | 120 |
| Plating min: Termination (µm) | 3 |
| Polarized to Mating Part | Yes |
| Polarized to PCB | No |
| Shrouded | Yes |
| Stackable | Yes |
| Surface Mount Compatible (SMC) | No |
| Temperature Range - Operating | -25°C to +85°C |
| Termination Interface: Style | Through Hole |
| Wire Insulation Diameter | N/A |
| Wire Size AWG | N/A |
| Wire/Cable Type | Ribbon Cable |

Electrical

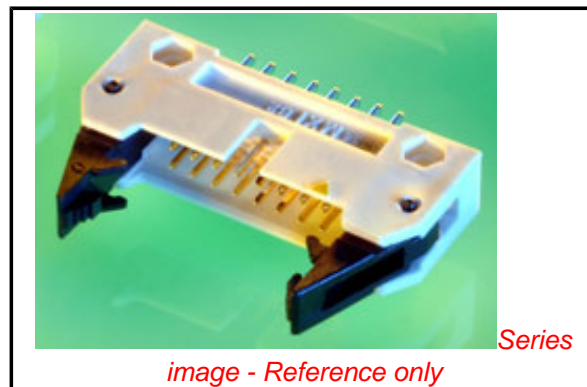


image - Reference only

EU RoHS

China RoHS

Compliance Status

Not Reviewed

REACH SVHC

Not Reviewed

Halogen-Free

Status

Not Reviewed

Need more information on product environmental compliance?

Email productcompliance@molex.com
 For a multiple part number RoHS Certificate of Compliance, [click here](#)

Please visit the [Contact Us](#) section for any non-product compliance questions.

Search Parts in this Series

[90572Series](#)

Mates With

[90635 QF-50™ Female Housing](#)

Current - Maximum per Contact
Voltage - Maximum

1A
250V

Material Info

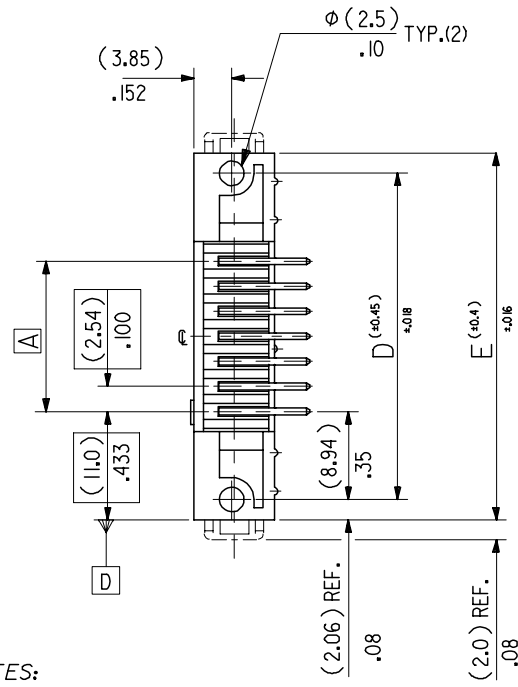
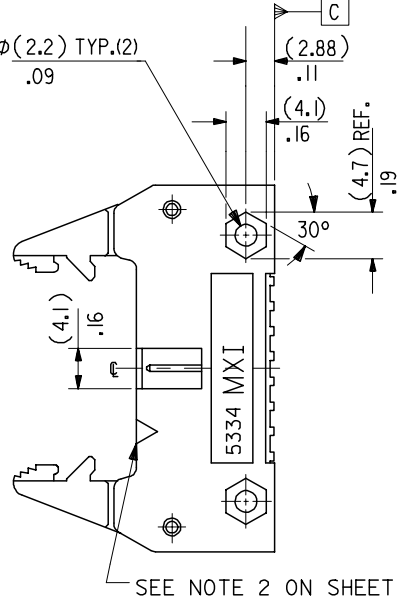
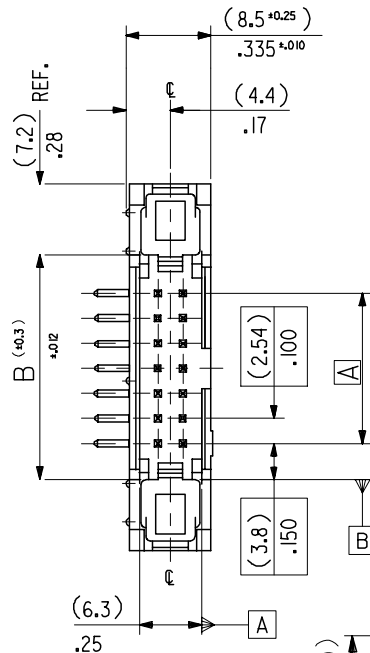
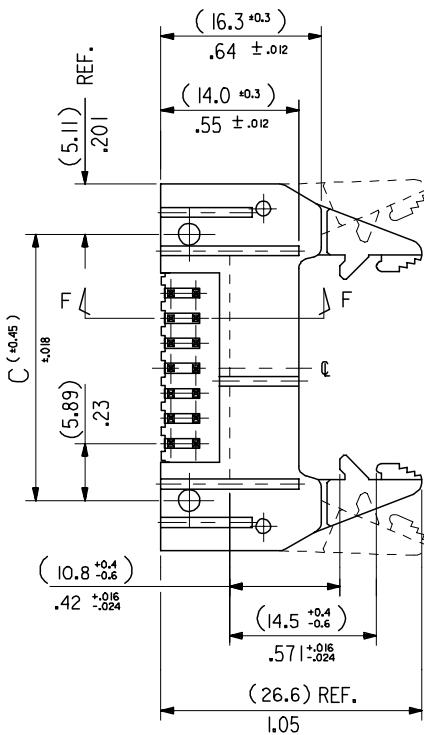
Reference - Drawing Numbers

Sales Drawing

SDA-90572

This document was generated on 06/08/2010

PLEASE CHECK WWW.MOLEX.COM FOR LATEST PART INFORMATION

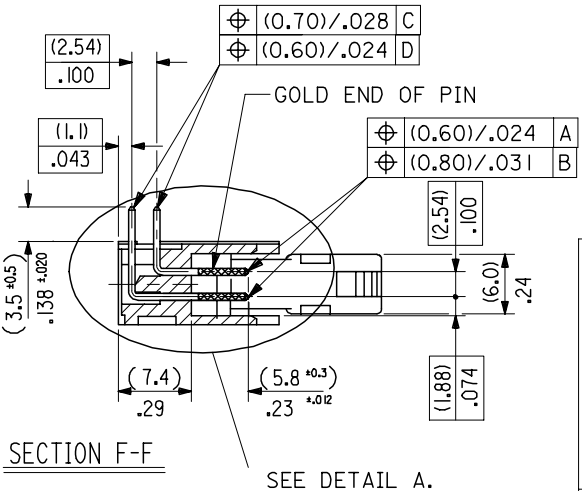


MIN. TIN PLATE AREA.
(3.0) ±.12

MIN. GOLD PLATE AREA. (5.10) ±.12
MEASURE POINT FOR GOLD PLATING THICKNESS TYP.

- NOTES:
- 1: FOR MATERIAL SPECIFICATION SEE NOTE 1 ON SHEET 2.
 - 2: FOR RECOMMENDED P.C.B.HOLE PATTERN, PART NOTs AND UNSTATED DIMENSIONS SEE SHEET 2.
 - 3: PRODUCT SPEC.No. : PS -99020-0015.

DETAIL A
DIMENSIONS FOR SELECTIVE PLATING'S, SCALE 4:1



| CORRECTED PS EC NO: E2008-0129 DRWN:DBYRNES CHKD: APPR:EOMAHONY | 2007/09/13 | 2007/09/13 | 2007/09/14 | QUALITY SYMBOLS $\nabla=0$ $\triangle=0$ | GENERAL TOLERANCES (UNLESS SPECIFIED) <table border="1"> <thead> <tr> <th></th> <th>mm</th> <th>INCH</th> </tr> </thead> <tbody> <tr> <td>4 PLACES</td> <td>±---</td> <td>±---</td> </tr> <tr> <td>3 PLACES</td> <td>±---</td> <td>±.008</td> </tr> <tr> <td>2 PLACES</td> <td>±0.20</td> <td>±.008</td> </tr> <tr> <td>1 PLACE</td> <td>±0.20</td> <td>±---</td> </tr> </tbody> </table> | | mm | INCH | 4 PLACES | ±--- | ±--- | 3 PLACES | ±--- | ±.008 | 2 PLACES | ±0.20 | ±.008 | 1 PLACE | ±0.20 | ±--- | DIMENSION STYLE MM/IN DRAWN BY: POB DATE: 1990/09/12 CHECKED BY: DATE APPROVED BY: DATE MATERIAL NO. DOCUMENT NO. | SCALE 2:1 DESIGN UNITS METRIC THIRD ANGLE PROJECTION | TITLE QIK FLECS R/A HEADER DIN EJECT LEVERS FOR IMPROVED WIPE FEMALE MOLEX INCORPORATED | SHEET NO. 1 OF 4 |
|---|---|------------|------------|--|--|--|----|------|----------|------|------|----------|------|-------|----------|-------|-------|---------|-------|------|--|--|---|---------------------|
| | | mm | INCH | | | | | | | | | | | | | | | | | | | | | |
| | 4 PLACES | ±--- | ±--- | | | | | | | | | | | | | | | | | | | | | |
| | 3 PLACES | ±--- | ±.008 | | | | | | | | | | | | | | | | | | | | | |
| 2 PLACES | ±0.20 | ±.008 | | | | | | | | | | | | | | | | | | | | | | |
| 1 PLACE | ±0.20 | ±--- | | | | | | | | | | | | | | | | | | | | | | |
| DESCRIPTION | ENTER PART | SDA-90572 | | | | | | | | | | | | | | | | | | | | | | |
| REV | THIS DRAWING CONTAINS INFORMATION THAT IS PROPRIETARY TO MOLEX INCORPORATED AND SHOULD NOT BE USED WITHOUT WRITTEN PERMISSION | | | | | | | | | | | | | | | | | | | | | | | |
| | DRAFT WHERE APPLICABLE MUST REMAIN WITHIN DIMENSIONS | | | | | | | | | | | | | | | | | | | | | | | |

