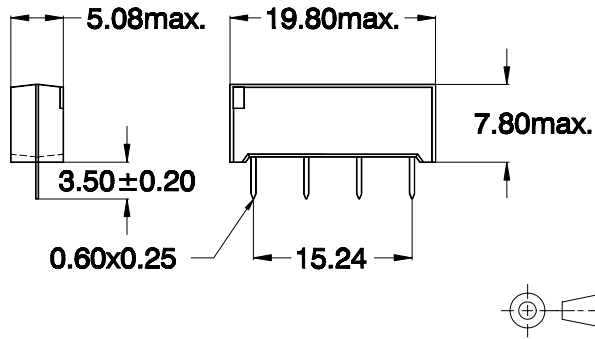
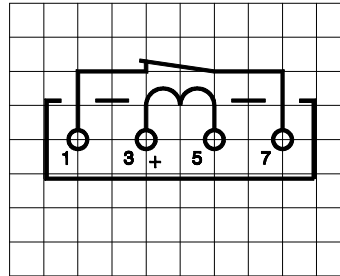
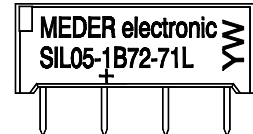


MEDER
electronic*Products for tomorrow...*

Headquarter Europe
 MEDER electronic AG
 Friedrich-List Strasse 6
 D-78234 Engen-Welschingen
 Tel.: +49(0)7733-9487-0
 Fax: +49(0)7733-9487-32
 eMail: info@meder.com
 Internet: www.meder.com

Headquarter USA
 MEDER electronic Inc.
 766 Falmouth Rd
 Mashpee, MA 02649
 Phone: +1/ 508-539-0002
 Fax: +1/ 508-539-4088
 eMail: salesusa@meder.com

Reed Relay: SIL05-1B72-71L**Part Number:** 3305072071**dimensions** (tolerance $\pm 0,1\text{mm}$)**layout 71L pitch 2,54 / top view****marking**Type
data-code EN 60062

coil data	condition	Min.	Typ.	Max.	unit
coil resistance	at 20°C	450	500	550	Ω
nominal voltage			5,0		VDC
pull-in voltage				3,5	VDC
drop-out voltage		0,75			VDC
return voltage		6,5			VDC
nominal power	determined with nominal voltage and rated current		50		mW

contact data 72 (Form B/Dry)		Ruthenium			
contact material		Ruthenium			
rated power	each combination of the switching voltage and current must not exceed the given rated power			15	W
switching voltage				200	VDC
switching current				1,0	A
carry current				1,25	A
static contact resistance	initial values measured with $1,4 \times AT_{\text{pull-in}}$			150	m Ω
Insulation resistance	RH Ω 45%	10^{10}			Ω
breakdown voltage		250			VDC
capacitance	without test coil			0,3	pF

relay data					
insulation resistance coil-contact		10^{11}			Ω
insulation voltage coil-contact		1,5			kVDC
shock	$\frac{1}{2}$ sine wave, duration 11ms			150	g
vibration	50 – 2000Hz			10	g
operate time inclusive bounce	measured at $1,4 \times AT_{\text{pull-in}}$		0,5		ms
release time			0,1		ms

general data					
operating temperature		-20		70	°C
storing temperature		-35		95	°C
soldering temperature	10 sec. at			260	°C
cleaning		fully sealed			
material of case		mineral-filled epoxy			
material of pins		FeNi-alloy tinned			