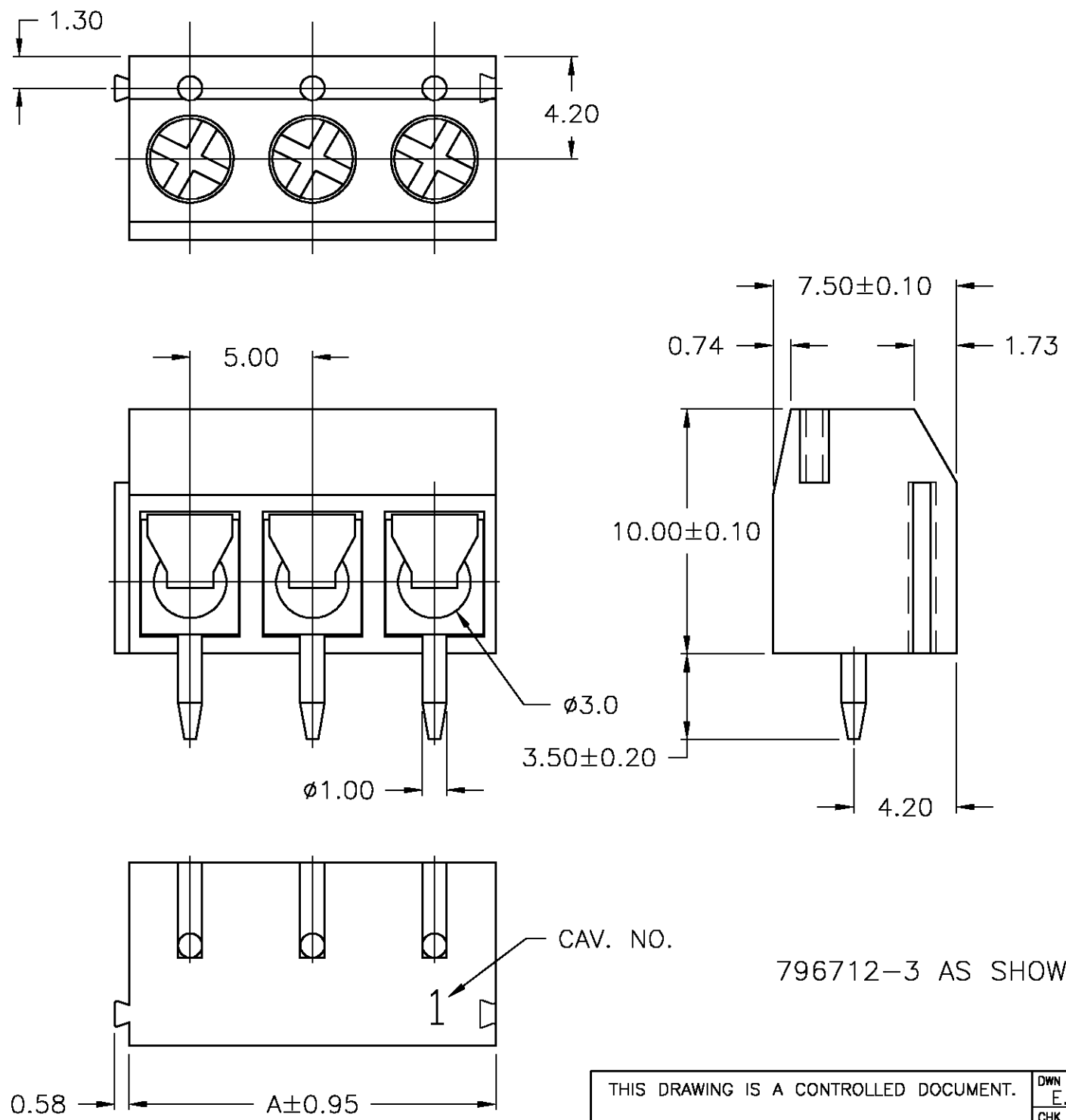


THIS DRAWING IS UNPUBLISHED. RELEASED FOR PUBLICATION  
 © COPYRIGHT BY TYCO ELECTRONICS CORPORATION. ALL RIGHTS RESERVED.

LOC	DIST	REVISIONS			
P	LTR	DESCRIPTION	DATE	DWN	APVD
FT	0	C	REVISED PER ECO-05-4112	6/29/05	SS SRY

NOTES:  
 1. RECOMMENDED PC-BOARD-HOLES DIAMETER:  $\phi 1.30 \pm 0.1 \text{mm}$ .



DIM. A	NO. OF POS.	PART NUMBER
120.00	24	2-796712-4
115.00	23	2-796712-3
110.00	22	2-796712-2
105.00	21	2-796712-1
100.00	20	2-796712-0
95.00	19	1-796712-9
90.00	18	1-796712-8
85.00	17	1-796712-7
80.00	16	1-796712-6
75.00	15	1-796712-5
70.00	14	1-796712-4
65.00	13	1-796712-3
60.00	12	1-796712-2
55.00	11	1-796712-1
50.00	10	1-796712-0
45.00	9	796712-9
40.00	8	796712-8
35.00	7	796712-7
30.00	6	796712-6
25.00	5	796712-5
20.00	4	796712-4
15.00	3	796712-3
10.00	2	796712-2

796712-3 AS SHOWN

THIS DRAWING IS A CONTROLLED DOCUMENT.		DWN E. ZANOLINI 26JAN01	<b>BUCHANAN</b> Tyco Electronics Corporation Harrisburg, Pa 17105-3608	
DIMENSIONS: mm		CHK E. ZANOLINI 26JAN01		
TOLERANCES UNLESS OTHERWISE SPECIFIED:		APVD D. BIEVENOUR 26JAN01	NAME	
0 PLC ± - 1 PLC ± 0.3 2 PLC ± 0.25 3 PLC ± - 4 PLC ± - ANGLES ± -		PRODUCT SPEC	TERMINAL BLOCK PCB MOUNT, STRAIGHT SIDE WIRE ENTRY, LOW PROFILE w/3.5mm pins W/INTERLOCK, 5.00mm PITCH (LT)	
MATERIAL		APPLICATION SPEC	SIZE	RESTRICTED TO
FINISH		WEIGHT	A3 00779	—
		CUSTOMER DRAWING	C=796712	
		SCALE	SHEET	REV
		NTS	1 OF 2	C

THIS DRAWING IS UNPUBLISHED. RELEASED FOR PUBLICATION  
 © COPYRIGHT - BY TYCO ELECTRONICS CORPORATION. ALL RIGHTS RESERVED.

LOC	DIST	REVISIONS					
FT	0	P	LTR	DESCRIPTION	DATE	DWN	APVD
			-	SEE SHEET 1	-	-	-

1. Application and Features:

- 1-1. Standard sizes are 2 and 3 Pos. blocks, Position sizes can be created by simply interlocking them together and can be ordered as required.
- 1-2. With wire guard for wire protection.

2-3. Mechanical:

- 2-3-1. Recommended Torque: 4 Kg.cm.
- 2-3-2. Operating temperature: -55°C to +105°C.
- 2-3-3. Solderability: 95% coverage (min).

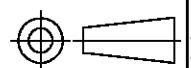
2. Technical Data:

2-1. Material:

- 2-1-1. HOUSING: Thermoplastic, UL 94 V-0, (Blue).
- 2-1-2. Screw cage: Brass, tin plated.
- 2-1-3. Wire guard: Stainless steel.
- 2-1-4. Screw: Steel M2.6.

2-2. Electrical:

- 2-2-1. Current rating: 10 Amps.
- 2-2-2. Operation Voltage: 300V.
- 2-2-3. Wire Range: 14-22 AWG.
- 2-2-4. Withstanding Voltage: 1500VAC (1min).

THIS DRAWING IS A CONTROLLED DOCUMENT.		DWN E. ZANOLINI 26JAN01	<b>BUCHANAN</b> Tyco Electronics Corporation Harrisburg, Pa 17105-3608	
		CHK E. ZANOLINI 26JAN01		
DIMENSIONS: mm 		APVD D. BIEVENOUR 26JAN01	NAME TERMINAL BLOCK PCB MOUNT, STRAIGHT SIDE WIRE ENTRY, LOW PROFILE w/3.5mm pins W/INTERLOCK, 5.00mm PITCH (LT)	
TOLERANCES UNLESS OTHERWISE SPECIFIED: 0 PLC ± - 1 PLC ± - 2 PLC ± - 3 PLC ± - 4 PLC ± - ANGLES ± -		PRODUCT SPEC -	RESTRICTED TO -	
MATERIAL -		FINISH -	APPLICATION SPEC -	SCALE NTS
		WEIGHT -	SIZE A3	SHEET 2 OF 2
		CUSTOMER DRAWING	DRAWING NO C-796712	REV C